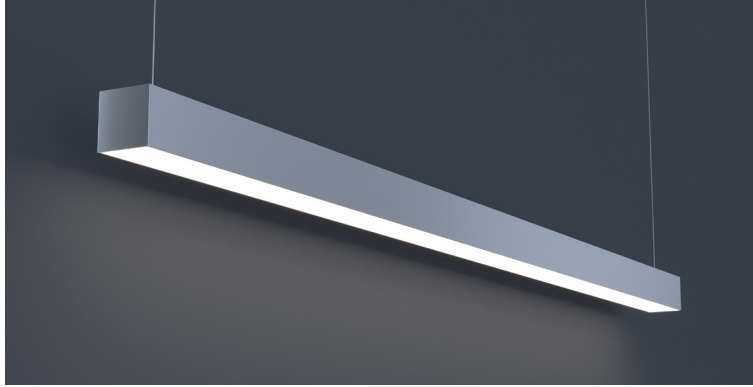


DATE	PROJECT	FIRM	TYPE
------	---------	------	------



Linear luminaire with low profile providing continuous light. For indoor applications. Suspended or surface mount installation. For custom mounting consult factory. Optional 'Power Over Wire' system to eliminate power cord.

FEATURES

- Available In Custom Lengths & Long Runs To 1/16" Accuracy
- Corners & Patterns Available (See Page 2)
- Damp Location Rated
- CRI 90+ Standard
- 5 Year Fixture Warranty
- 2700K, 3000K, 3500K, 4000K & 5000K Color Temperatures Available
- Enlighted/Wattstopper Sensors Available

APPLICATIONS Offices, Lobbies, Retail Stores, Classrooms, Reception Areas & Corridors

CONSTRUCTION Extruded Aluminum Housing with Die Cast Ends. Formed Steel Gear Tray

OPTICS Extruded High Transmission Satin Acrylic Lens With No LED Imaging. Additional Optics Available.

WARRANTY 5 Year Limited Warranty (Covers Standard Components)

FINISH Standard Powder-Coated White. Custom RAL Colors Available

FIXTURE RATINGS & CERTIFICATIONS Union Made Made In The USA
ETL Listed Damp Location Rated



ELECTRICAL Remote driver with optional 'Power Over Wire' System When Suspended, Eliminating Power Feed Cord by Combining the Aircraft Cable and Power Feed. 0-10V 10% Dimming Standard. 0-10V 1% Dimming Driver also available.

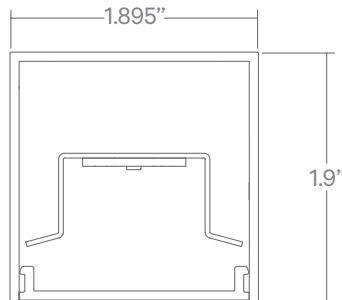
2-Wire Forward Phase; Hi-Lume 1% Dimming, Only Available For 120V LTEA

3-Wire EcoSystem; Hi-lume 1% Dimming L3DA

Digital EcoSystem; Hi-lume 1% Dimming, 'Soft-on Fade-to-black' (Required for Daylighting) LDE1

5 Series EcoSystem; 5% Dimming LDE5

EXTRUSION DIMENSIONS



LED SYSTEM INFORMATION

	System Watts	Delivered Lumens	Efficacy
Standard (LTG1)	7.25 W/ft	623 Lm/ft	94 Lm/W
Low (LTG2)	5 W/ft	420 Lm/ft	94 Lm/W
High (LTG3)	8.75 W/ft	710Lm/ft	90 Lm/W

Based on a 3500K luminaire using one driver. Please consult factory for custom lumen outputs & wattage.

ORDERING	1	2	3	4	5	6	7	8	9	10	11
----------	---	---	---	---	---	---	---	---	---	----	----

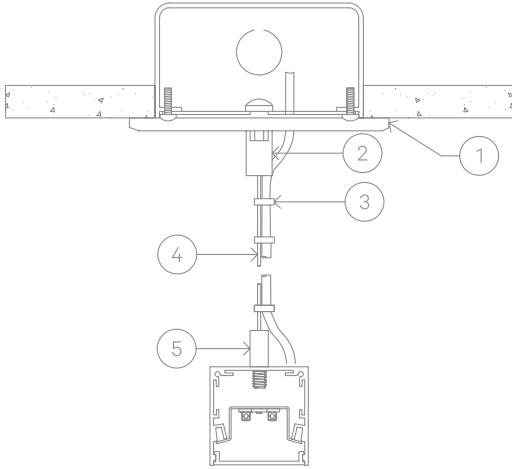
1 - FIXTURE ID LS1 LED LP	2 - LENGTH 2 - 2 ft 4 - 4 ft 8 - 8 ft x'-x" - Custom (specify length) **Patterns available, consult factory	3 - COLOR TEMP 27 - 2700K/90 CRI 30 - 3000K/90 CRI 35 - 3500K/90 CRI 40 - 4000K/90 CRI 50 - 5000K/90 CRI	4 - LED SYSTEM LTG1 - Standard LTG2 - Low LTG3 - High C - Custom Output (ie-C550Lm/ft)	5 - VOLTAGE UNV - Universal (120/277V)	6 - DRIVER (Remote) DB - Standard 10% Dimming (0-10V) DB1% - 1% Dimming (0-10V) DB.01% - .01% Dimming (0-10V) LTEA* - Lutron 2-wire 1% Dimming L3DA* - Lutron 3-wire 1% Dimming LDE1* - Lutron Digital EcoSystem LDE5* - 5 Series EcoSystem; 5% Dimming *Refer to 'Electrical' Information Above
-------------------------------------	---	--	---	--	---

7 - FINISH W - White (Standard) BLK - Black CC - Custom Color (provide RAL#)	8 - MOUNTING ACP - Power Over Aircraft Cable AC - Aircraft Cable SM - Surface Mount	9 - CONTROL (Optional) EIS - Integral Sensor by Enlighted WIS - Integral Sensor by Wattstopper	10 - OPTICS SD - Standard Diffuser BW - Batwing Optic ASYM - Asymmetric Optic	11 - OPTIONS EM 120V - Emergency Pack EM 277V - Emergency Pack
--	---	---	---	---

DATE _____ PROJECT _____ FIRM _____ TYPE _____

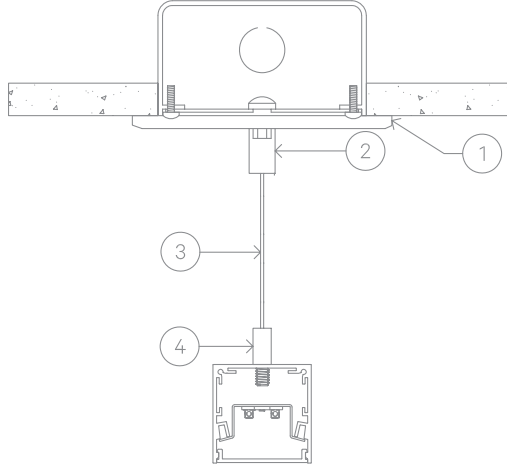
MOUNTING OPTIONS

AC - Air Craft Cable (50")



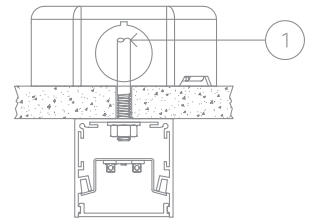
- 1 - 5" Round Canopy (Standard White Finish)
- 2 - Canopy Retainer
- 3 - S-JT Cord (Standard White)
- 4 - Air Craft Cable
- 5 - Gripper
- 6 - Hanging Bracket

ACP - Power Over Aircraft Cable



- 1 - 5" Round Canopy (Standard White Finish)
- 2 - Canopy Retainer
- 3 - ACP Cable
- 4 - Hanging Bracket

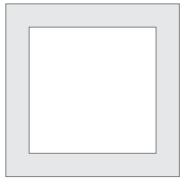
SM - Surface Mount



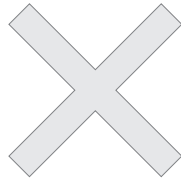
- 1 - Threaded Rod (not supplied)

CORNERS & PATTERNS

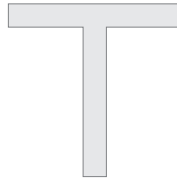
Available with illuminated corners, angles, and custom patterns. **Must consult factory for custom corners and patterns.**



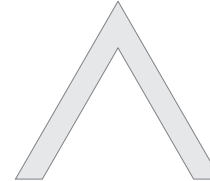
Square Patterns



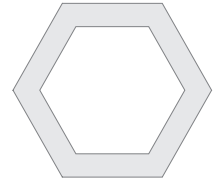
X Patterns



T Patterns



Custom Angles

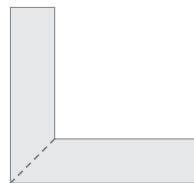


Custom Patterns

LENS CUT OPTIONS



Straight-cut



Mitered Angle

NOTE: Straight-Cut is standard configuration, Mitered Angle is optional and must be specified.

DATE	PROJECT	FIRM	TYPE
------	---------	------	------

ACP- 'Power Over Air Craft Cable' Option:

