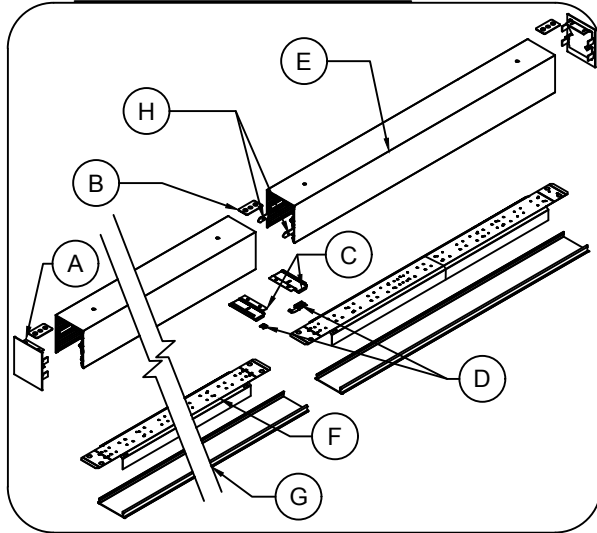
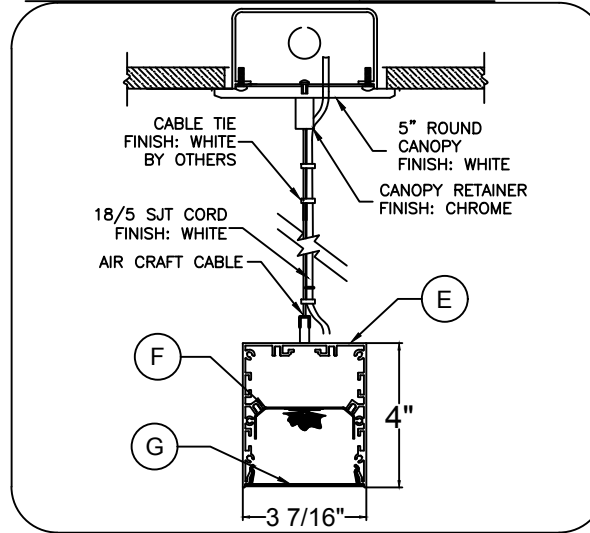


EXPLODED VIEW:



CROSS SECTION VIEW:



PART LIST:

A- END PLATE

B- HANGING BRACKET

C- BRACKET FOR CATCH/LATCH

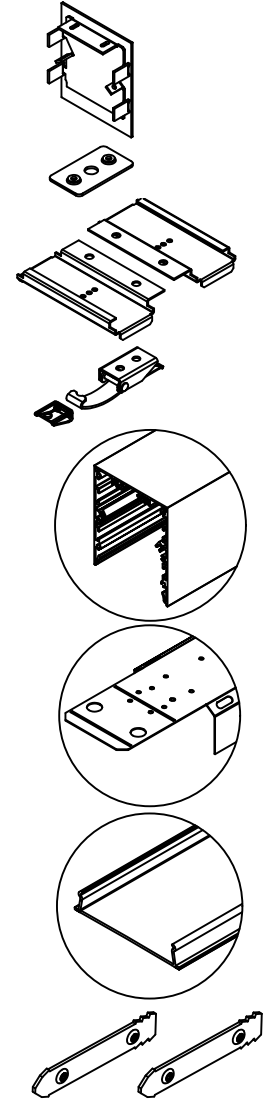
D- CATCH/LATCH CONNECTOR

E- DIRECT FIXTURE

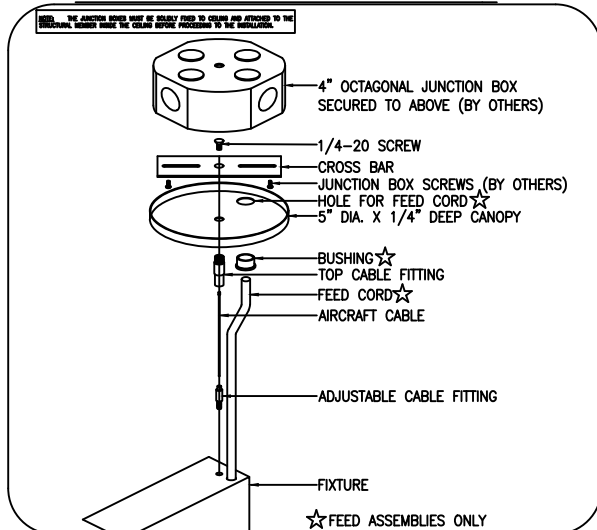
F- LED TRAY

G- LENS

H- ALIGNERS



POWER SIDE DETAIL:



NON POWER SIDE DETAIL:

