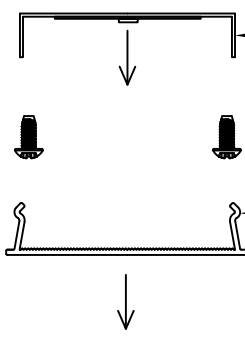


STEP3 MOUNT FIXTURE WITH THREAD ROD OR PROPER SUPPORT (BY OTHERS)

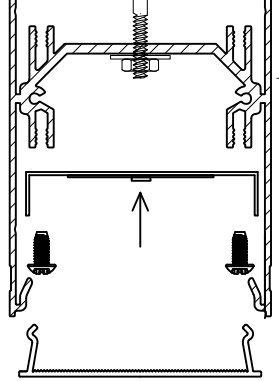
* DO YOUR ELECTRICAL CONNECTIONS*



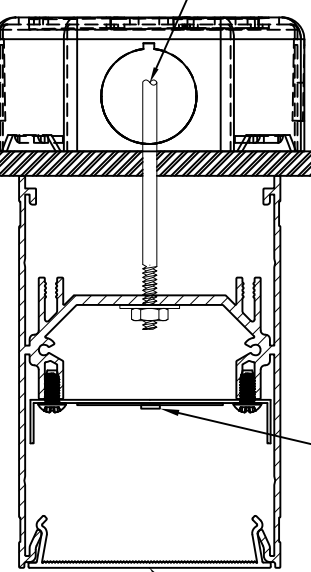
STEP 2 REMOVE GEAR TRAY



STEP 1 REMOVE LENS



STEP4 SECURE FIXTURE AND REINSTALL INTERNAL COMPONENTS.



LED

SNAP IN LENS

CEILING

LS3-SURFACE MOUNTED INSTALL