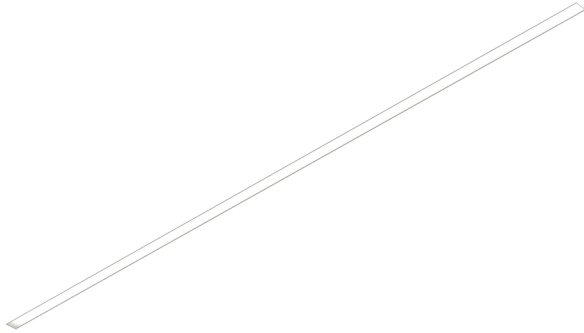


Rush recessed

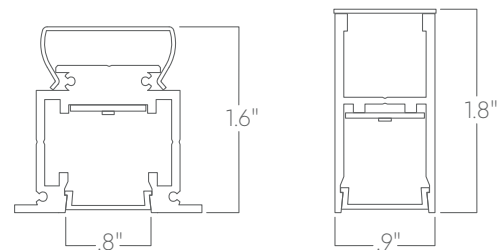


Our linear architectural luminaires offer a wide range of profiles and mounting options. Custom lengths and patterns are tailored to suit any modern space.

Features

- Extruded, recycled, premium aluminum housing
- Aluminum core LED boards, specifiable output
- Specifiable color temperature. CRI > 90, R9 >50
- Specifiable dimmable drivers or PoE
- Custom lengths, welded patterns, and finishes available
- 5 Year, 50,000 hour warranty
- Well Building Standard compatible [learn more](#)

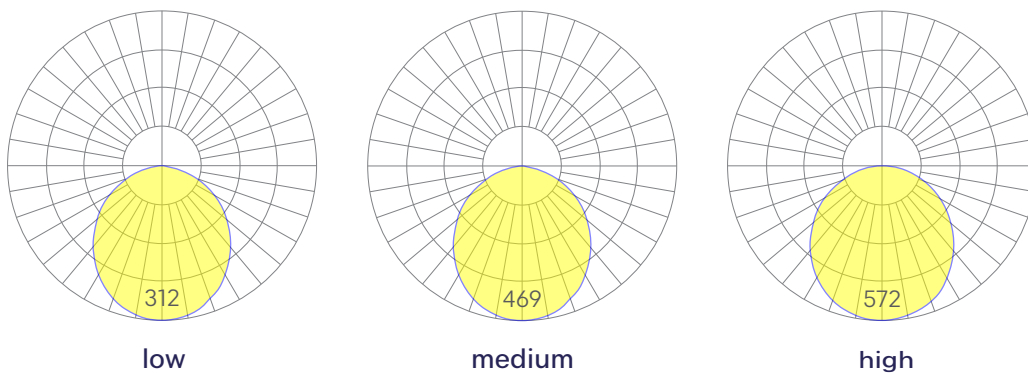
Dimensions



flange/mud-in flange

grid/slot grid

Optics



Representative distribution and peak candela. For other options see order information. See IES files [here](#).

Rush recessed

Ordering Information



Example: RUSH REC - 8 - 35 - MED - UNV - DB - W - AC - T - CCS - DAYCKT - NA

Fixture ID	1	Length	2	Color Temperature	3	Output	4
RUSH REC		2 2 ft 4 4 ft 8 8 ft X'X" ¹ Specify Length		27 2700K/90 CRI 30 3000K/90 CRI 35 3500K/90 CRI 40 4000K/90 CRI		LOW Low output MED Medium output HIGH High output CUST Custom output ¹	
		¹ Custom lengths available in 4" increments				¹ consult factory	
Voltage	5	Driver	6	Finish	7	Mounting	8
UNV Universal (120/277V) 347V ¹ 347V		DB Standard 0-10V 1% DB.1% 0-10V 0.1% ELV 2-wire 1% (120V only) TRI Forward phase (120V only) LDE1 Lutron Digital EcoSystem DALI DALI-2 Driver PoE Power over Ethernet. DMX ¹ DMX512		W White BLK Black CC ¹ Custom Color CWF ¹ Custom Wood Finish		T 9/16" Tee Grid T15 15/16" Tee Grid SG Slot Grid/Interlude F Flange NT Mud-in Flange PM-X ¹ Perimeter Mount MW ² Millwork	
¹ Must use DB Driver		¹ Set to default address 001. RDM capable. Contact us for other addressing needs. All drivers remote		¹ Custom Color. See finish options here. White SJ cord and canopy provided, for other requests, see section 12 to specify.		¹ X denotes mounting type on opposite side of wall (eg PM-NT) ² Consult Factory	
Optics	9	Sensors/Controls	10	Circuit	11	Options	12
SD Standard Diffuser		NA None ACM Acuity nLight Module Only CCS Casambi Module		NA None EM120V Emergency Pack EM277V Emergency Pack EMCKT Emergency Circuit DAYCKT Daylight Circuit		NA None	
		Consult factory for other options.					

Performance

Output ¹	Watts/ft	Lumens/ft
Low	4	210
Medium	5	315
High	7	400

¹Based on a typically configured 90 CRI, 3500K luminaire using one driver.

Custom outputs available. Please consult factory.
For 4000K multiply by 1.05; for 3000K 0.96; for 2700K, 0.92

Technical Information



click [here](#) or scan QR code

Wiring diagrams, PoE and sensor details

Modification date: October,2021

Page 2 of 4

Rush recessed

Drivers & Electrical

Remote, dimmable drivers are supplied in enclosures.

Emergency Back-Up

For fixtures three-feet or longer, a 4W integral emergency driver may be wired to 4ft sections. 7W, 10W, and 12W drivers are also available (not all integral; consult factory). Emergency circuits for use with building generators are also available.

PoE (Power over Ethernet)

Compatible with virtually all PoE systems including Molex Coresync, Igor, Smartengine, Platformatics, and NuLED SPICEbox. Consult Factory for systems not listed, See [here](#) for more info.

Finishes

All luminaires are finished in high quality polyester powder coating. Our standard color is white. Any RAL color may be specified.

Weight

3.5 lbs per foot

Patterns

Featuring illuminated welded corners and angles. Consult factory for custom designs.

Optics

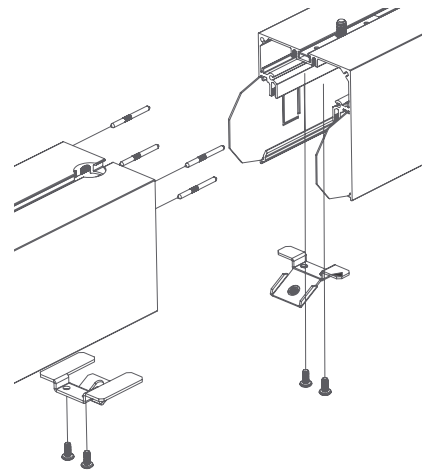
Extruded satin acrylic lenses provide excellent diffusion, high transmission, and no LED imaging. Black Optic and glare-free, beam-controlling TIR optics are available for some models.

Construction

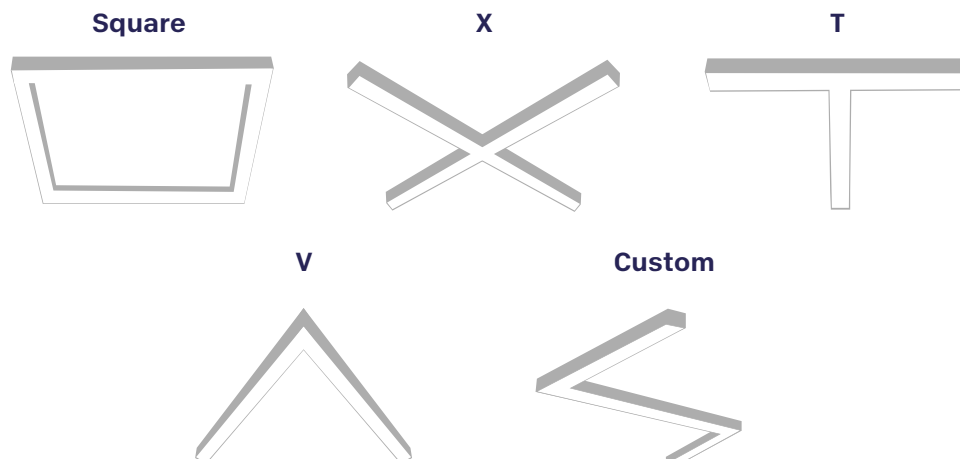
Extruded, recycled aluminum housing.

Joined Runs

Runs of any length may be specified and are comprised of multiple, factory-engineered, joined sections. Individually specified luminaires are not field joinable.



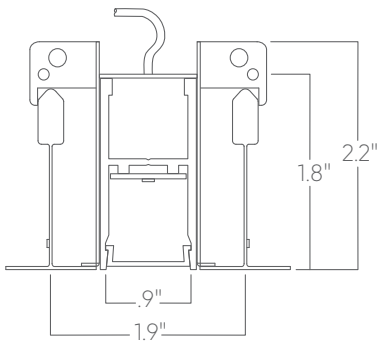
Representative joinery. For product specific details see installation guides or submittal drawings.



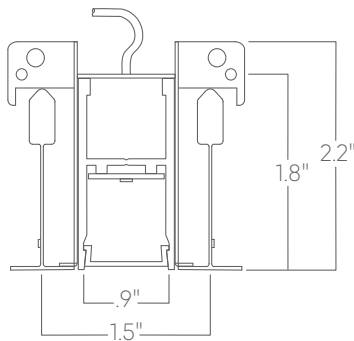
Rush recessed

Mounting Options

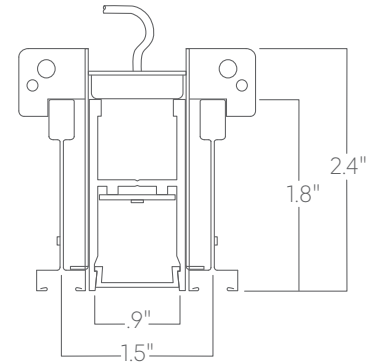
Custom mounting types and ceiling transitions available; consult factory.



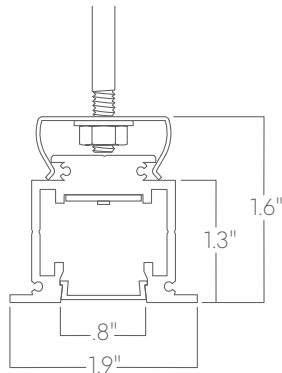
T
9/16" tee grid



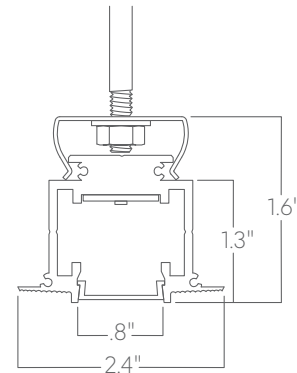
T15
15/16" tee grid



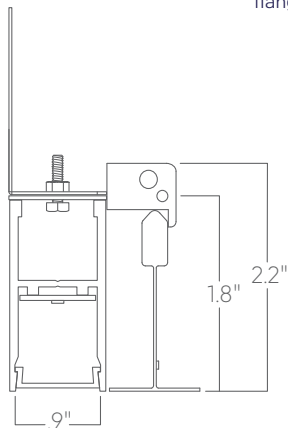
SG
slot grid



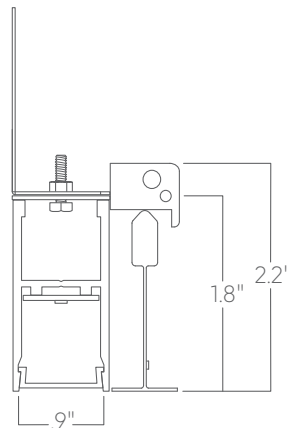
F
flange



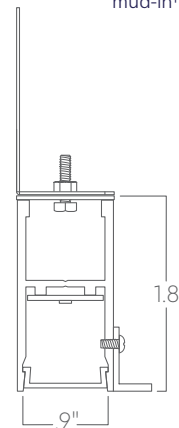
NT
mud-in¹



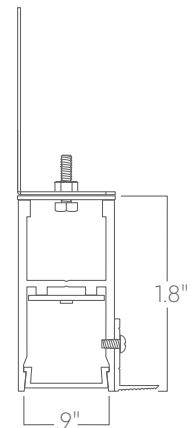
PM-T
perimeter to 9/16" tee grid



PM-T15
perimeter to 15/16" tee grid



PM-F
perimeter to flange



PM-NT
perimeter to mud-in

¹Installation that alters aperture width compromises lens security. Installer must ensure aperture width is maintained.