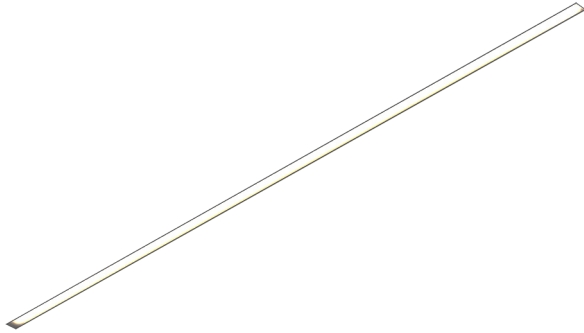


# Rush recessed

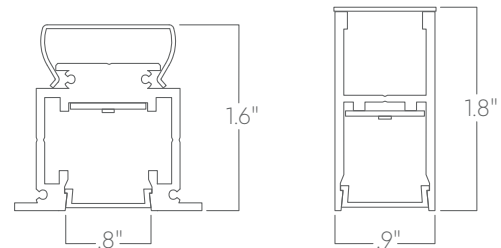


Our linear architectural luminaires offer a wide range of profiles and mounting options. Custom lengths and patterns are tailored to suit any modern space.

## Features

- Extruded, recycled, premium aluminum housing
- Aluminum core LED boards, specifiable output
- Specifiable color temperature. CRI > 90, R9 >50
- Specifiable dimmable drivers or PoE
- Custom lengths, welded patterns, and finishes available
- 5 Year, 50,000 hour warranty
- Well Building Standard compatible [learn more](#)

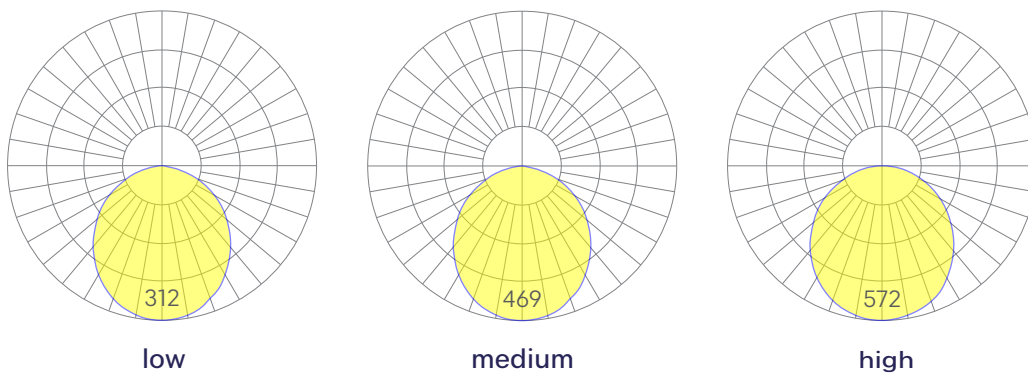
## Dimensions



flange/mud-in flange

grid/slot grid

## Optics



Representative distribution and peak candela. For other options see order information. See IES files [here](#).

# Rush recessed

## Ordering Information



Example: RUSH REC - 8 - 35 - MED - UNV - DB - W - AC - T - CCS - DAYCKT - NA

<b>Fixture ID</b> <input type="text" value="1"/>	<b>Length</b> <input type="text" value="2"/>	<b>Color Temperature</b> <input type="text" value="3"/>	<b>Output</b> <input type="text" value="4"/>
<b>RUSH REC</b>	<b>2</b> 2 ft <b>4</b> 4 ft <b>8</b> 8 ft <b>X'X"</b> <sup>1</sup> Specify Length	<b>27</b> 2700K/90 CRI <b>30</b> 3000K/90 CRI <b>35</b> 3500K/90 CRI <b>40</b> 4000K/90 CRI	<b>LOW</b> Low output <b>MED</b> Medium output <b>HIGH</b> High output <b>CUST</b> Custom output <sup>1</sup>
<small><sup>1</sup>Custom lengths available in 1" increments</small>		<small><sup>1</sup>consult factory</small>	
<b>Voltage</b> <input type="text" value="5"/>	<b>Driver</b> <input type="text" value="6"/>	<b>Finish</b> <input type="text" value="7"/>	<b>Mounting</b> <input type="text" value="8"/>
<b>UNV</b> Universal (120/277V) <b>347V<sup>1</sup></b> 347V	<b>DB</b> Standard 0-10V 1% <b>DB.1%</b> 0-10V 0.1% <b>ELV</b> 2-wire 1% (120V only) <b>TRI</b> Forward phase (120V only) <b>LDE1</b> Lutron Digital EcoSystem <b>DALI</b> DALI-2 Driver <b>PoE</b> Power over Ethernet. <b>DMX<sup>1</sup></b> DMX512	<b>W</b> White <b>BLK</b> Black <b>CC<sup>1</sup></b> Custom Color <b>CWF<sup>1</sup></b> Custom Wood Finish	<b>T</b> 9/16" Tee Grid <b>T15</b> 15/16" Tee Grid <b>SG</b> Slot Grid/Interlude <b>F</b> Flange <b>NT</b> Mud-in Flange <b>PM-X<sup>1</sup></b> Perimeter Mount <b>MW<sup>2</sup></b> Millwork
<small><sup>1</sup>Must use DB Driver</small>	<small><sup>1</sup>Set to default address 001. RDM capable. Contact us for other addressing needs.</small> <b>All drivers remote</b>	<small><sup>1</sup>Custom Color. See finish options here.</small> <small>White SJ cord and canopy provided, for other requests, see section 12 to specify.</small>	<small><sup>1</sup>X denotes mounting type on opposite side of wall (eg PM-NT)</small> <small><sup>2</sup>Consult Factory</small>
<b>Optics</b> <input type="text" value="9"/>	<b>Sensors/Controls</b> <input type="text" value="10"/>	<b>Circuit</b> <input type="text" value="11"/>	<b>Options</b> <input type="text" value="12"/>
<b>SD</b> Standard Diffuser	<b>NA</b> None <b>ACM</b> Acuity nLight Module Only <b>CCS</b> Casambi Module	<b>NA</b> None <b>EM120V</b> Emergency Pack <b>EM277V</b> Emergency Pack <b>EMCKT</b> Emergency Circuit <b>DAYCKT</b> Daylight Circuit	<b>NA</b> None
<small>Consult factory for other options.</small>			

## Performance

Output <sup>1</sup>	Watts/ft	Lumens/ft
Low	4	210
Medium	5	315
High	7	400

<sup>1</sup>Based on a typically configured 90 CRI, 3500K luminaire using one driver.

Custom outputs available. Please consult factory.  
For 4000K multiply by 1.05; for 3000K 0.96; for 2700K, 0.92

## Technical Information



click [here](#) or scan QR code

Wiring diagrams, PoE and sensor details

Modification date: November, 2021

# Rush recessed

## Drivers & Electrical

Remote, dimmable drivers are supplied in enclosures.

## Emergency Back-Up

For fixtures three-feet or longer, a 4W integral emergency driver may be wired to 4ft sections. 7W, 10W, and 12W drivers are also available (not all integral; consult factory). Emergency circuits for use with building generators are also available.

## PoE (Power over Ethernet)

Compatible with virtually all PoE systems including Molex Coresync, Igor, Smartengine, Platformatics, and NuLED SPICEbox. Consult Factory for systems not listed, See [here](#) for more info.

## Finishes

All luminaires are finished in high quality polyester powder coating. Our standard color is white. Any RAL color may be specified.

## Weight

3 lbs per foot

## Patterns

Featuring illuminated welded corners and angles. Consult factory for custom designs.

## Optics

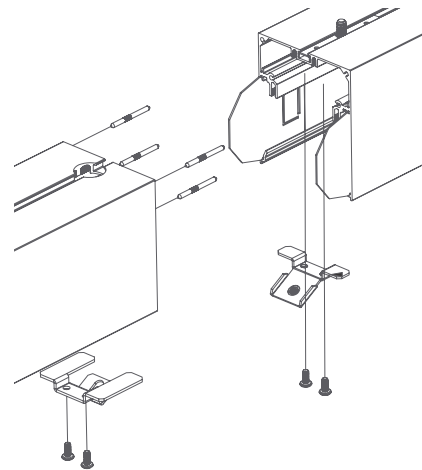
Extruded satin acrylic lenses provide excellent diffusion, high transmission, and no LED imaging. Black Optic and glare-free, beam-controlling TIR optics are available for some models.

## Construction

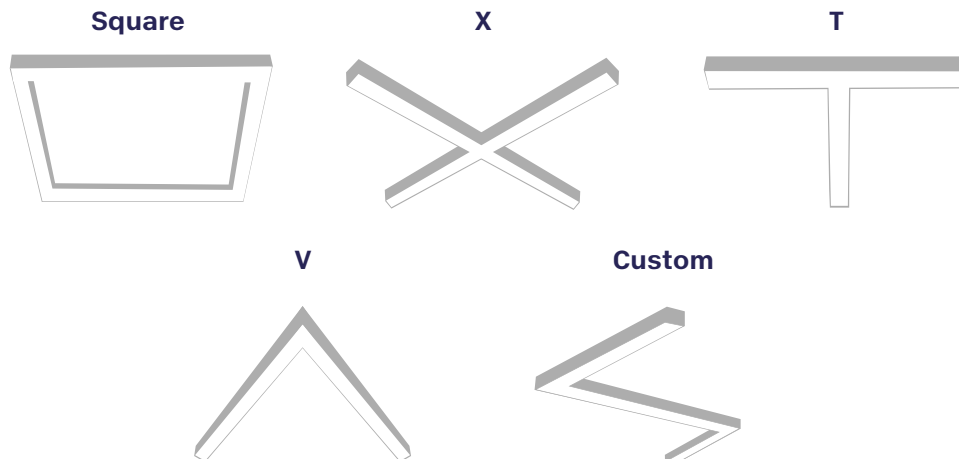
Extruded, recycled aluminum housing.

## Joined Runs

Runs of any length may be specified and are comprised of multiple, factory-engineered, joined sections. Individually specified luminaires are not field joinable.



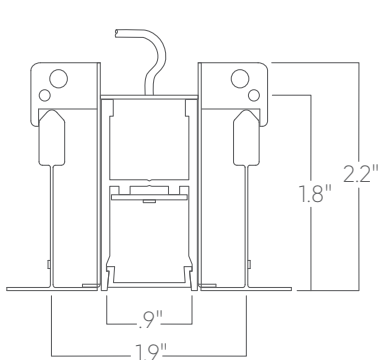
Representative joinery. For product specific details see installation guides or submittal drawings.



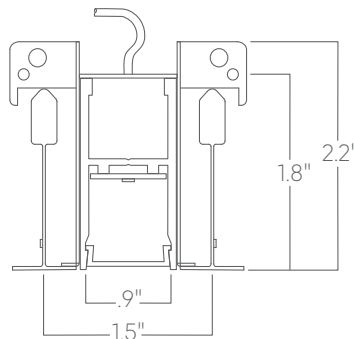
# Rush recessed

## Mounting Options

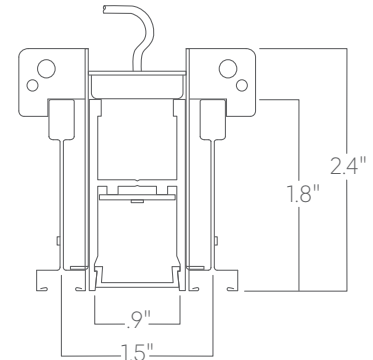
Custom mounting types and ceiling transitions available; consult factory.



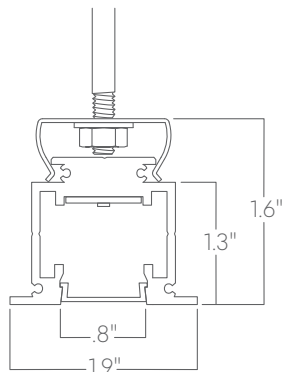
**T**  
9/16" tee grid



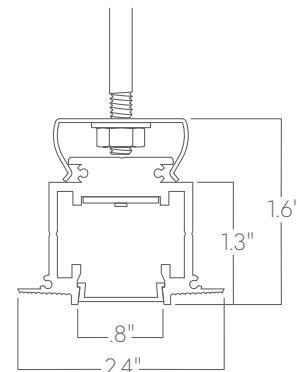
**T15**  
15/16" tee grid



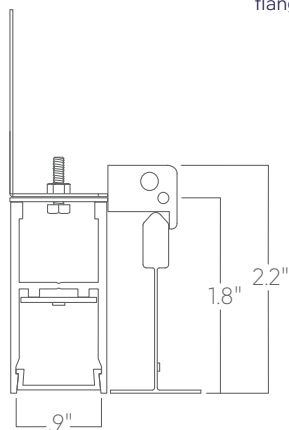
**SG**  
slot grid



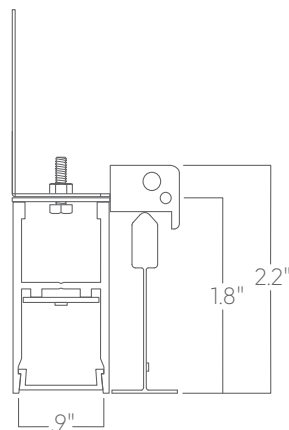
**F**  
flange



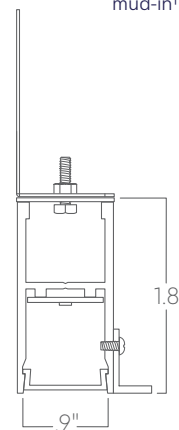
**NT**  
mud-in<sup>1</sup>



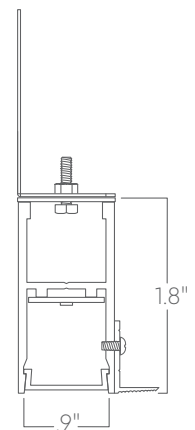
**PM-T**  
perimeter to 9/16" tee grid



**PM-T15**  
perimeter to 15/16" tee grid



**PM-F**  
perimeter to flange



**PM-NT**  
perimeter to mud-in

<sup>1</sup>Installation that alters aperture width compromises lens security. Installer must ensure aperture width is maintained.