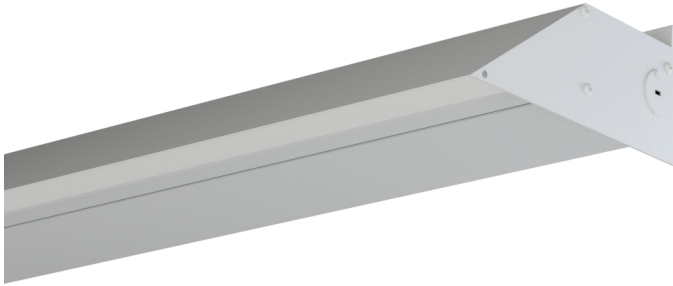


Kove v2 perimeter surface

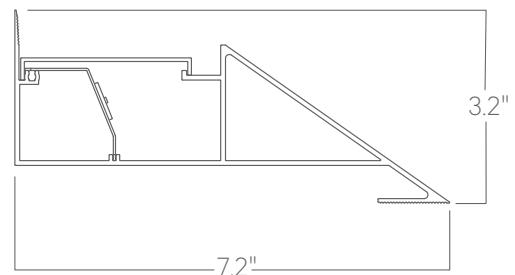


Our Perimeter Surface luminaires are wall-mounted near ceilings at the edges of spaces, providing subtle indirect illumination.

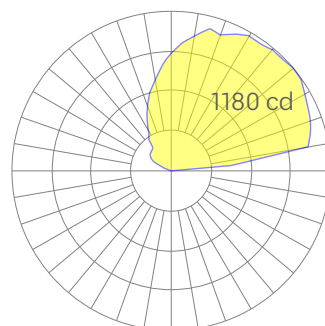
Features

- Plaster-in extrusion
- Wide Asymmetric Optic available
- Aluminum core LED boards, specifiable output
- Specifiable color temperature. CRI > 90, R9 > 50
- Integral, specifiable dimmable drivers or PoE
- Custom patterns and finishes available
- 5 Year, 50,000 hour warranty, damp location rated
- WELL Building Standard compatible [learn more](#)

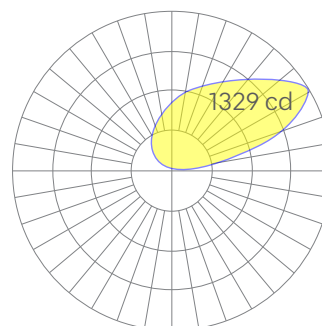
Dimensions



Optics



standard diffuser



wide asymmetric optic

Representative distribution and peak candela. For other options see order information or IES files [here](#).

Kove v2 perimeter surface

Ordering Information

For each option group below specify one option. If you don't see your preferred option listed, contact us for [help](#).

1	Fixture ID	2	Length	3	Color Temperature	4	Output
	KOVE.V2	2	2 ft	27	2700K/90 CRI	LOW	Low output
		4	4 ft	30	3000K/90 CRI	MED	Medium output
		8	8 ft	35	3500K/90 CRI	HIGH	High output
		X'X"	Specify Length	40	4000K/90 CRI	CUST	Custom output Specify watts or lumens
		PAT	Pattern (Consult Factory)	50	5000K/90 CRI		
				WD	Warm Dim 2200K-3000K Must use WD10 driver		
				TW	Tunable White 2700K-6500K Must use TW10 driver		
				RGBW30	RGB +white, 3000k Remote DMX. High output unavailable.		
				RGBW35	RGB +white, 3500k Remote DMX. High output unavailable.		
				RGBW40	RGB +white, 4000k Remote DMX. High output unavailable.		
5	Voltage	6	Driver	7	Finish	8	Mounting
	UNV Universal (120/277V)	DB	Standard 0-10V 1%	W	White	NT	Mud-In Flange
		DB.1%	0-10V 0.1%	BLK	Black		
		ELV	Reverse Phase 1% (120V only) For compatible dimmers see here .	SLV	Silver		
		TRI	Forward Phase (120V only) For compatible dimmers see here .	CC	Custom Color See finish options here .		
		LDE	Lutron Digital EcoSystem				
		DALI	DALI-2 driver				
		PoE	Power over ethernet.				
		TW10	Dual channel, 0-10V for tunable white.				
		WD10	0-10V warm dim				
		DMX	DMX512 All DMX drivers set to default address 001 and provided in remote enclosers. Contact us for other addressing needs				
9	Optics	10	Sensors/Controls	11	Circuit	12	Options
	SD Standard diffuser	NA	None	NA	None	NA	None
	WAO Wide asymmetric optic	ACM	Acuity nLight Module Only	EMPCK	Emergency battery pack		
		CCS	Casambi Module	EMCKT	Emergency circuit May require additional power feeds.		
		AWNRR	Lutron Athena Wireless Node Module	DAYCKT	Daylight circuit May require additional power feeds.		
		OTHER	Consult Factory				

Performance

Output ¹	Watts/ft	Lumens/ft
Low	5	511
Medium	7	726
High	10	981

¹Based on a typically configured 90 CRI, 3500K luminaire using one driver. Custom outputs available. Please consult factory.
For 4000K multiply by 1.02, for 3000K 0.98, for 2700K 0.96, these multipliers also apply to Tunable White.
For Tunable White outputs, multiply by 1.05 for 5000K and by 1.1 for 6500K.

Technical Information



click [here](#) or scan QR code

Wiring diagrams, PoE and sensor details

Kove v2 perimeter surface

Drivers & Electrical

Integral drivers* with 0-10V Dimming standard. Several other driver options available; see ordering information.

*DMX drivers are provided in remote enclosures.

Controls

Control modules may be mounted within luminaires or remotely.

Emergency Back-Up

For fixtures three-feet or longer, a 6W emergency driver may be wired to 4ft sections. A 10W driver is also available (consult factory). Emergency circuits for use with building generators are also available.

PoE (Power over Ethernet)

Compatible with virtually all PoE systems including Molex Coresync, Igor, Smartengine, Platformatics, and NuLED SPICEbox.

Consult factory for systems not listed. See [here](#) for more info.

Weight

10 lbs per foot

Optics

Extruded satin acrylic lenses provide excellent diffusion, high transmission, and no LED imaging.

Construction

Housings are extruded premium, recycled aluminum. Individual fixtures are available up to 8' long and may be specified as nominal or precision lengths. Precision lengths are supplied within 1/8" tolerance.

Finishes

All luminaires are finished in high quality polyester powder coating. Our standard color is white. Any RAL color may be specified.

Patterns

Featuring illuminated welded corners and angles. Consult factory for custom designs and elevations.

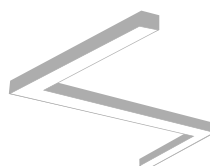
Square



V



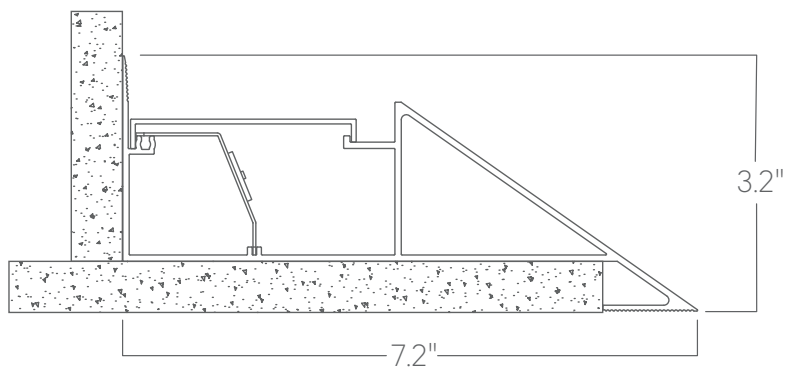
Custom



Kove v2 perimeter surface

Mounting Options

Custom mounting types and ceiling transitions available; consult factory.



NT
mud-in flange

Please consult factory shop drawings for suspension points.

To prevent damage to fixtures, factory designated suspension points must not be field altered.

Do not attempt installation if you do not understand the installation instructions.