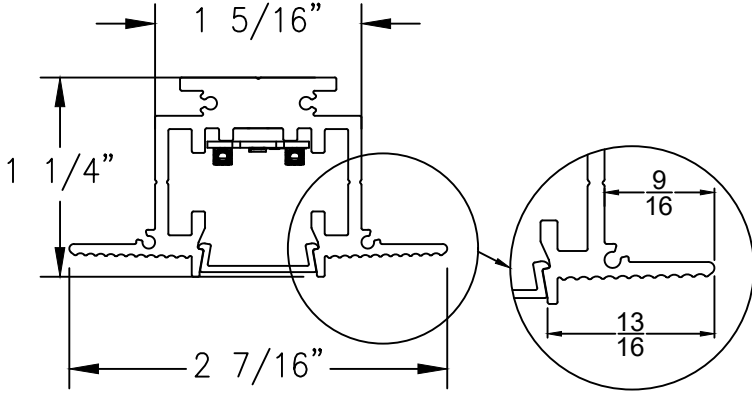


INSTALLATION GUIDE-NO TRIM AND FLANGE

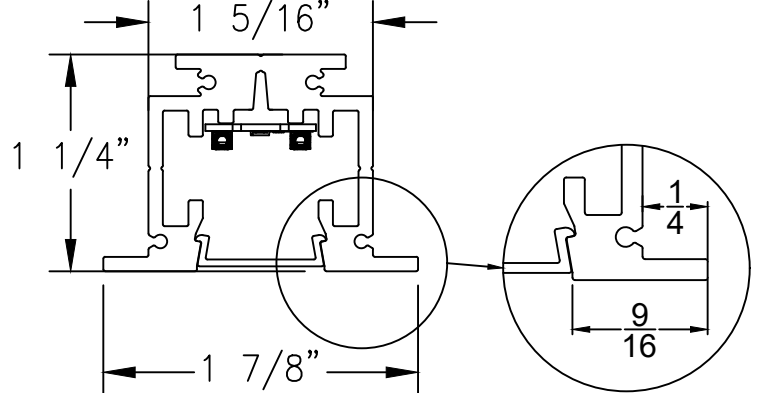


Risk of fire and electrical shock. In accordance with national local building and electrical codes, CORONET lighting fixtures must be installed by a qualified electrician. Disconnect power at electrical panel before servicing.

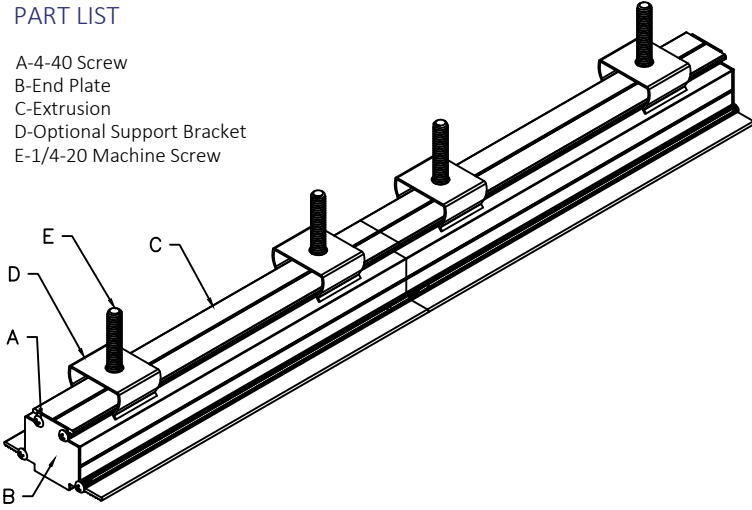
CROSS SECTION VIEW (NO TRIM)



CROSS SECTION VIEW (FLANGE)



ISOMETRIC VIEW



PART LIST

- A-4-40 Screw
- B-End Plate
- C-Extrusion
- D-Optional Support Bracket
- E-1/4-20 Machine Screw

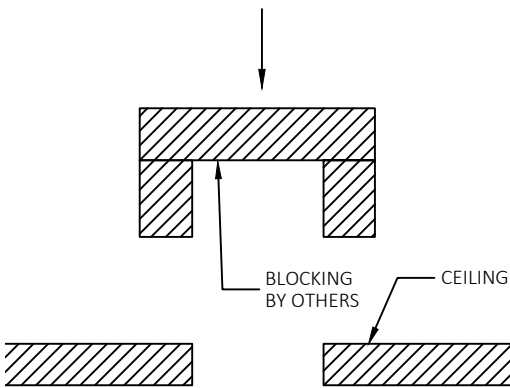
SIDE VIEW



NOTE: THIS FIXTURE REQUIRES A REMOTE LED DRIVER.

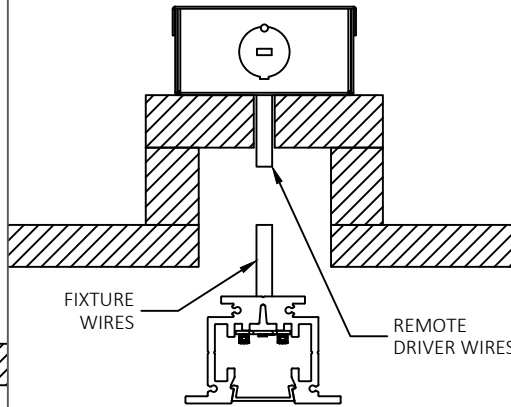
PLEASE CONSULT FACTORY SHOP DRAWINGS FOR CEILING CUT OUT DIMENSIONS.

1 Option 1



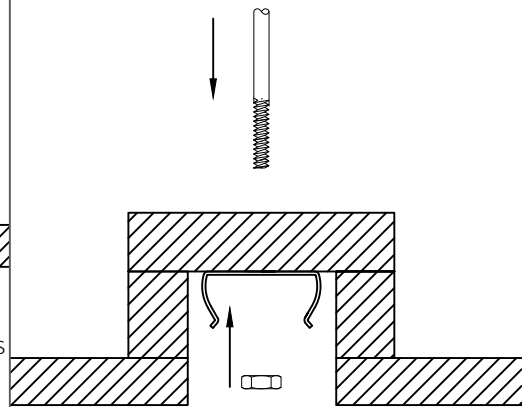
For use of the optional support bracket to mount the fixture, block in the fixture using the ceiling cutout dimensions as a guide. Material/blocking by others. Note: Leave a hole for the power feed cable.

2



Run the wire from the remote driver box to the fixture and make any necessary electrical connections.

3



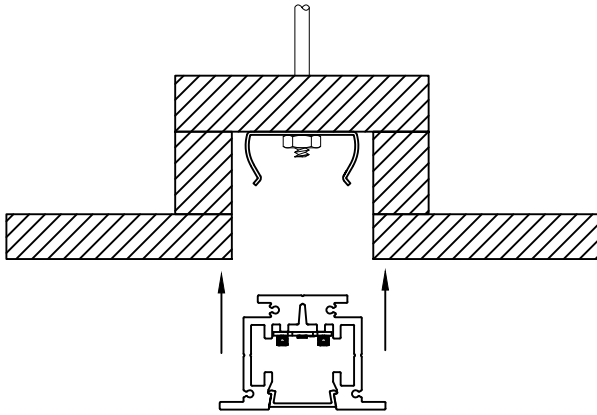
Use a machine screw and nut to secure the support bracket to the frame (hardware by others). Note: Remote driver not shown in steps 3-5 for clarity.

INDIVIDUAL FIXTURES ARE NOT INTENDED FOR CONTINUOUS RUNS.
ADDITIONAL SUPPORTS TO THE STRUCTURE MAY BE REQUIRED.
*CHECK WITH YOUR LOCAL BUILDING CODE FOR THOSE REQUIREMENTS.



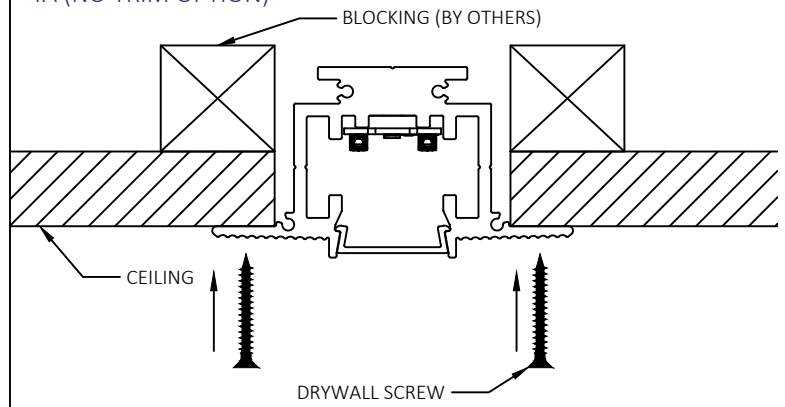
Risk of fire and electrical shock. In accordance with national local building and electrical codes, CORONET lighting fixtures must be installed by a qualified electrician. Disconnect power at electrical panel before servicing.

4



Raise the fixture upward until it snaps into the support bracket.

4A (NO TRIM OPTION)



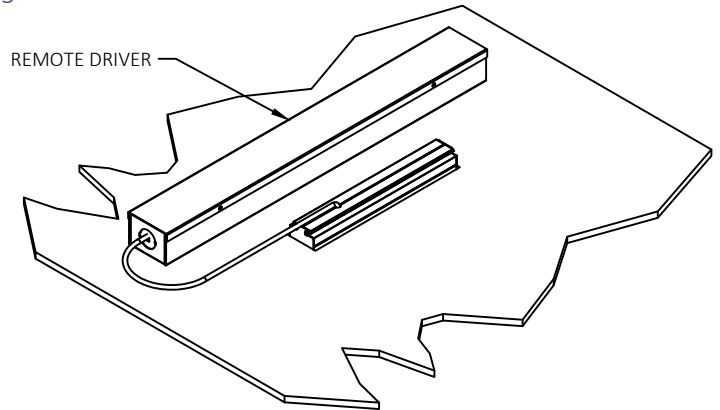
Install the fixture by screwing through the flange into the ceiling. After screwing the fixture into the ceiling, anchor the flange of the fixture properly (hardware by others). Note: Sufficient blocking required behind the ceiling if using this option.

4B (NO TRIM OPTION)



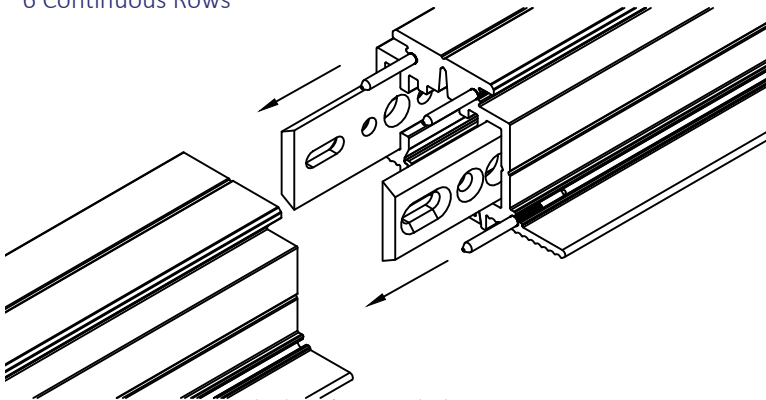
For "No Trim" fixtures, spackle up to the side of the fixture covering the flange and screws. Sand to create a smooth finish.
Note: Clean up any sand or plaster inside the fixture.

5



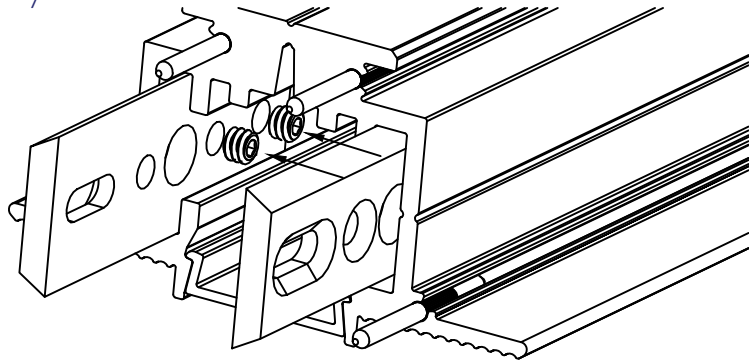
Finish installing the fixture and power it on to make sure everything works properly.

6 Continuous Rows



Align the two fixtures using the alignment pins.
Warning: Keep hands clear of connection.

7

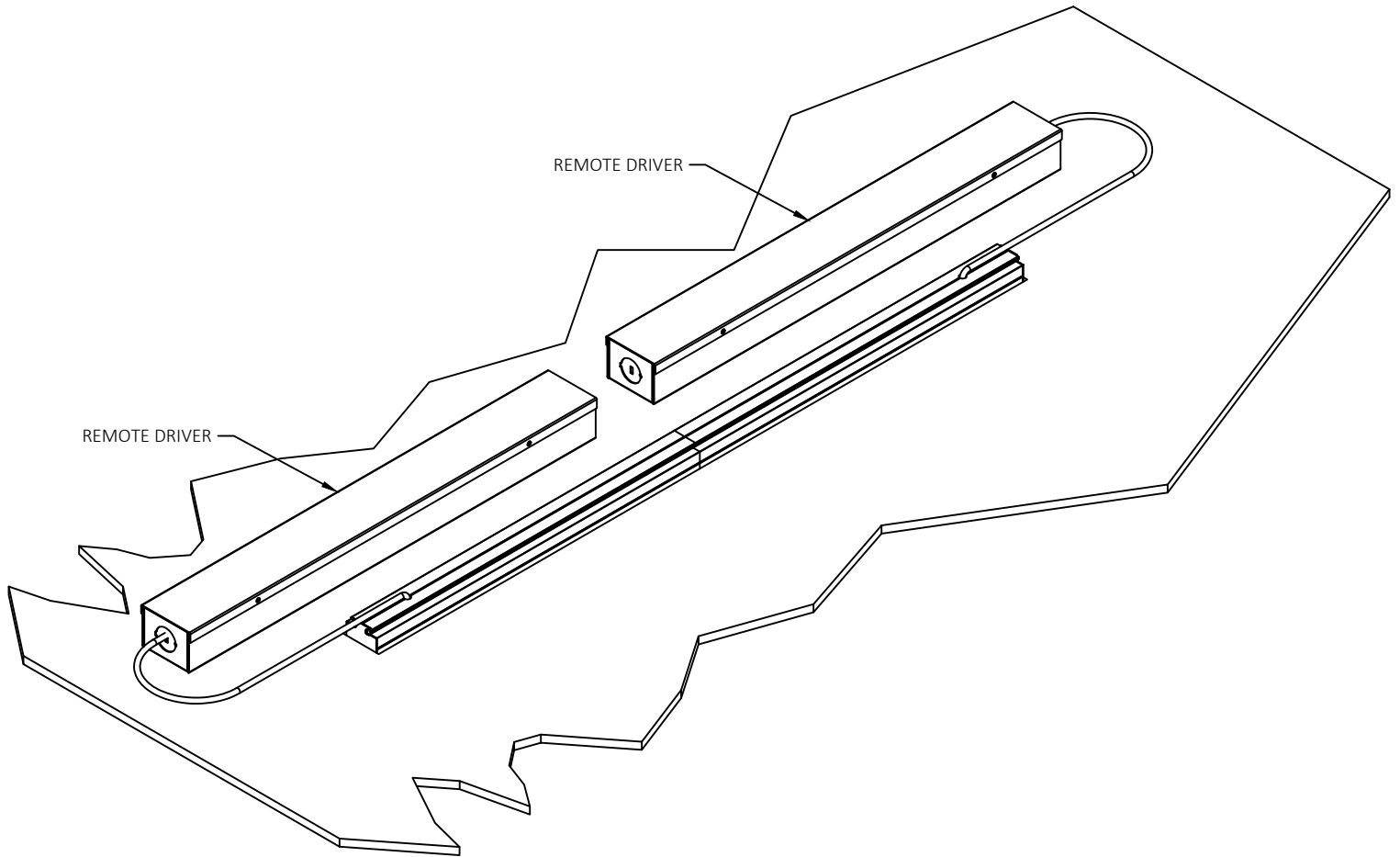


Connect the two fixtures and use the provided 8-32 set screws to secure the connecting brackets in place. Lens may need to be removed to access holes for set screw.

INDIVIDUAL FIXTURES ARE NOT INTENDED FOR CONTINUOUS RUNS.
ADDITIONAL SUPPORTS TO THE STRUCTURE MAY BE REQUIRED.
*CHECK WITH YOUR LOCAL BUILDING CODE FOR THOSE REQUIREMENTS.



Risk of fire and electrical shock. In accordance with national local building and electrical codes, CORONET lighting fixtures must be installed by a qualified electrician. Disconnect power at electrical panel before servicing.



Repeat steps 1-4 to correctly mount the fixture.

GENERAL INSTALLATION CONSIDERATIONS - See submittal drawings for job specific data.

Operating Temperature.....-40°C to 50°C
 Operating Voltage.....110VAC-277VAC, 50Hz-60Hz
 Weight.....lb/ft
 Dimensions.....See submittal drawings

- Installation by a certified electrician only.
- Read and understand the installation instructions before attempting to install or use the fixture.
- Only use fixtures with voltage for which it is rated. Do not exceed the specified voltage and current input.
- Do not use the fixture if the housing, lens, or power cable is damaged.
- Ensure that the main power supply is off before installing or wiring the fixture.
- Method of wire connection to be determined by local electrical codes and regulations.
- The external flexible cable of this luminaire cannot be field replaced; if the cord is damaged, contact Coronet.
- The light source contained in this luminaire shall only be replaced by the lighting manufacturer or his service agent or a similar qualified person.

Please contact our technical support team for assistance.

INDIVIDUAL FIXTURES ARE NOT INTENDED FOR CONTINUOUS RUNS.
 ADDITIONAL SUPPORTS TO THE STRUCTURE MAY BE REQUIRED.
 *CHECK WITH YOUR LOCAL BUILDING CODE FOR THOSE REQUIREMENTS.