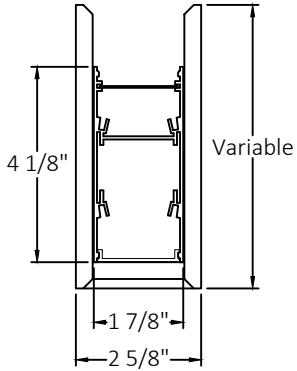


INSTALLATION GUIDE-PENDANT

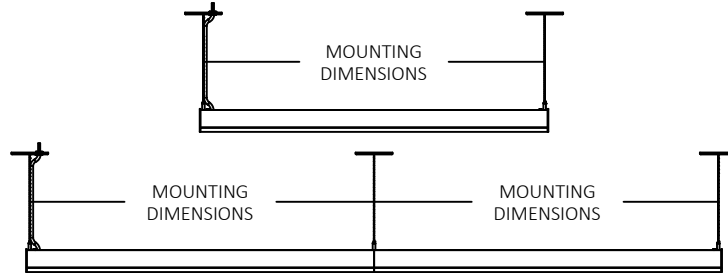


Risk of fire and electrical shock. In accordance with national local building and electrical codes, CORONET lighting fixtures must be installed by a qualified electrician. Disconnect power at electrical panel before servicing.

CROSS SECTION VIEW



SIDE VIEW

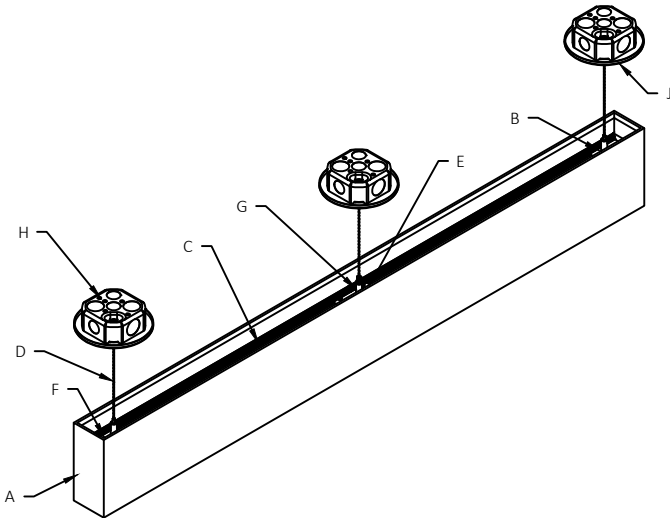


PART LIST

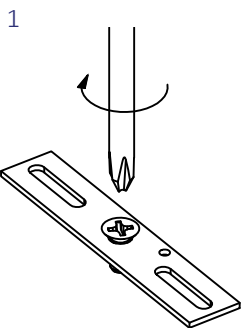
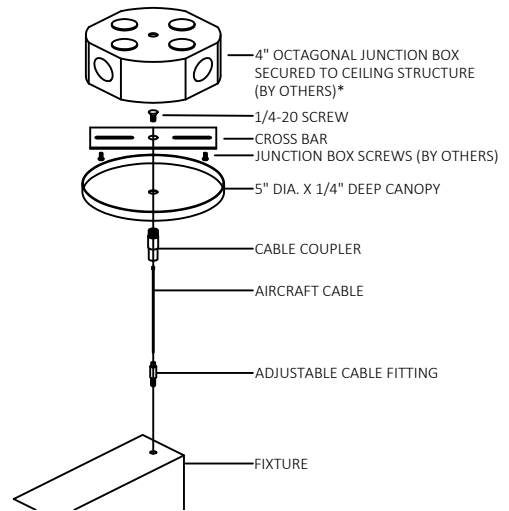
- A-Acoustic Panel
- B-Male Gripper
- C-Extrusion
- D-Aircraft Cable
- E-Center Hanging Bracket
- F-Hanging Bracket
- G-Female Gripper
- H-Junction Box (by others)
- J-Canopy

PLEASE CONSULT FACTORY SHOP DRAWINGS FOR SUSPENSION POINTS.

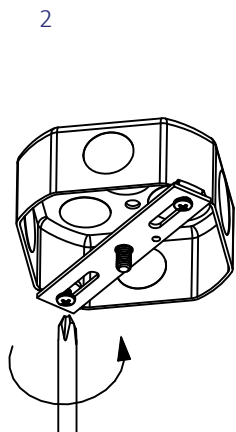
ISOMETRIC VIEW



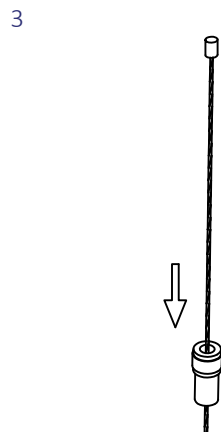
SUSPENSION DETAIL



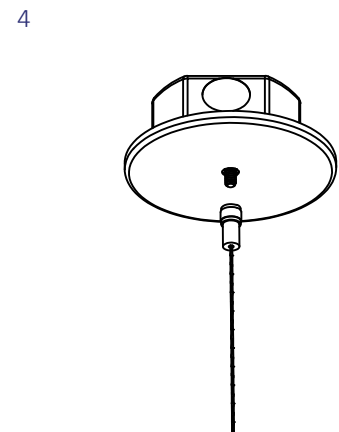
1
Screw the provided 1/4-20 hanging screw before attaching the cross bar to the junction box.



2
Secure the cross bar to the octagonal junction box with the junction box screws.



3
Run the aircraft cable through the cable coupler.



4
Using the 1/4-20 cross bar screw, position the canopy and secure in place with the cable coupler.

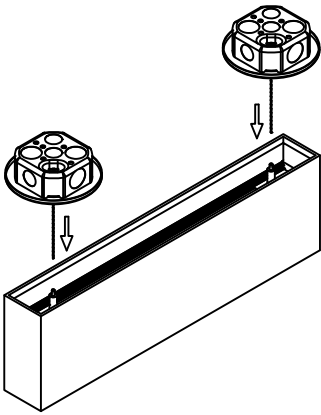
*NOTE: JUNCTION BOXES MUST BE SOLIDLY FIXED TO THE CEILING AND ATTACHED TO THE STRUCTURAL MEMBER INSIDE THE CEILING BEFORE PROCEEDING WITH INSTALLATION.

INSTALLATION GUIDE-PENDANT



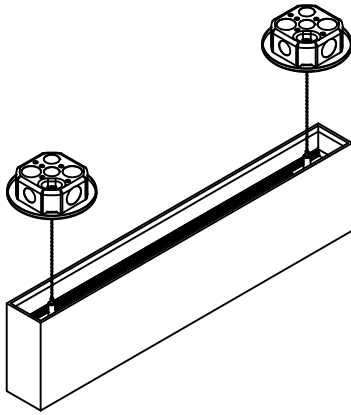
Risk of fire and electrical shock. In accordance with national local building and electrical codes, CORONET lighting fixtures must be installed by a qualified electrician. Disconnect power at electrical panel before servicing.

5



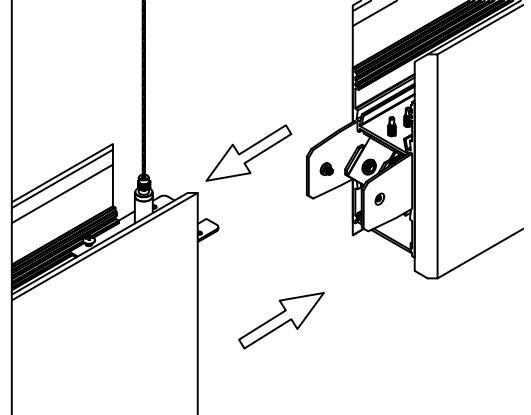
Insert the aircraft cable into the cable grippers on both sides of the fixture

6



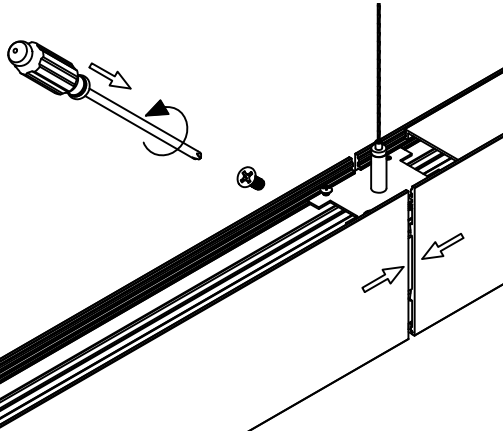
Adjust the aircraft cables until the desired height is achieved.
Note: Fixture must be level.

7 Continuous Rows



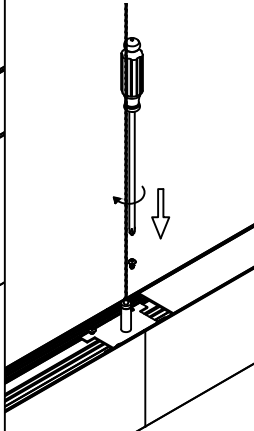
First, hang the first fixture in the run using steps 1-6.
Align the second fixture to the first using the alignment light shields.
Warning: Keep hands clear of connection.

8



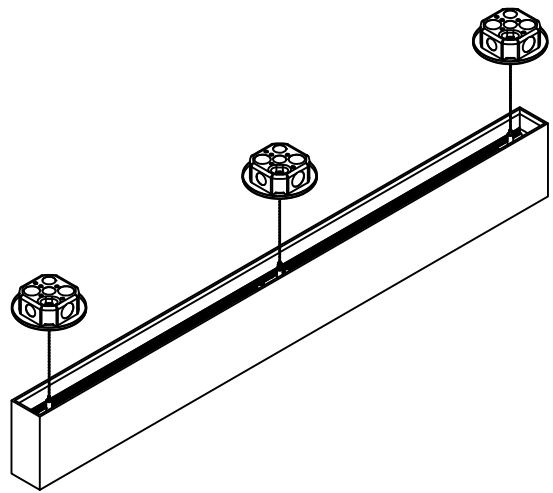
Use the provided 1/4-20 flat head screw to secure the connecting brackets. As you screw it in, the fixture will securely connect together.
Note: Acoustic panels not shown for clarity in steps 8 and 9.

9



Secure the middle support bracket in place using the 6-32 screws provided.

10



Hang the next fixture in the run following steps 1-6.
Fixture must be hung level at the desired height. If fixture is not level, light leaks may occur at the seam.

GENERAL INSTALLATION CONSIDERATIONS - See submittal drawings for job specific data.

Operating Temperature.....-40°C to 50°C
 Operating Voltage.....110VAC-277VAC, 50Hz-60Hz
 Weight.....lb/ft
 Dimensions.....See submittal drawings

- Installation by a certified electrician only.
- Read and understand the installation instructions before attempting to install or use the fixture.
- Only use fixtures with voltage for which it is rated. Do not exceed the specified voltage and current input.
- Do not use the fixture if the housing, lens, or power cable is damaged.
- Ensure that the main power supply is off before installing or wiring the fixture.
- Method of wire connection to be determined by local electrical codes and regulations.
- The external flexible cable of this luminaire cannot be field replaced; if the cord is damaged, contact Coronet.
- The light source contained in this luminaire shall only be replaced by the lighting manufacturer or his service agent or a similar qualified person.

Please contact our technical support team for assistance.

NOTE: JUNCTION BOXES MUST BE SOLIDLY FIXED TO THE CEILING AND ATTACHED TO THE STRUCTURAL MEMBER INSIDE THE CEILING BEFORE PROCEEDING WITH INSTALLATION.