

INSTALLATION GUIDE-RECESSED

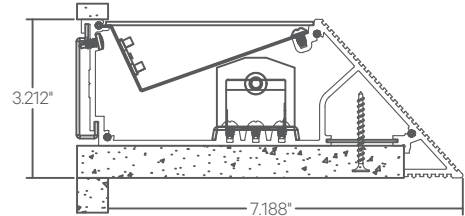


Risk of fire and electrical shock. In accordance with national local building and electrical codes, CORONET lighting fixtures must be installed by a qualified electrician. Disconnect power at electrical panel before servicing.

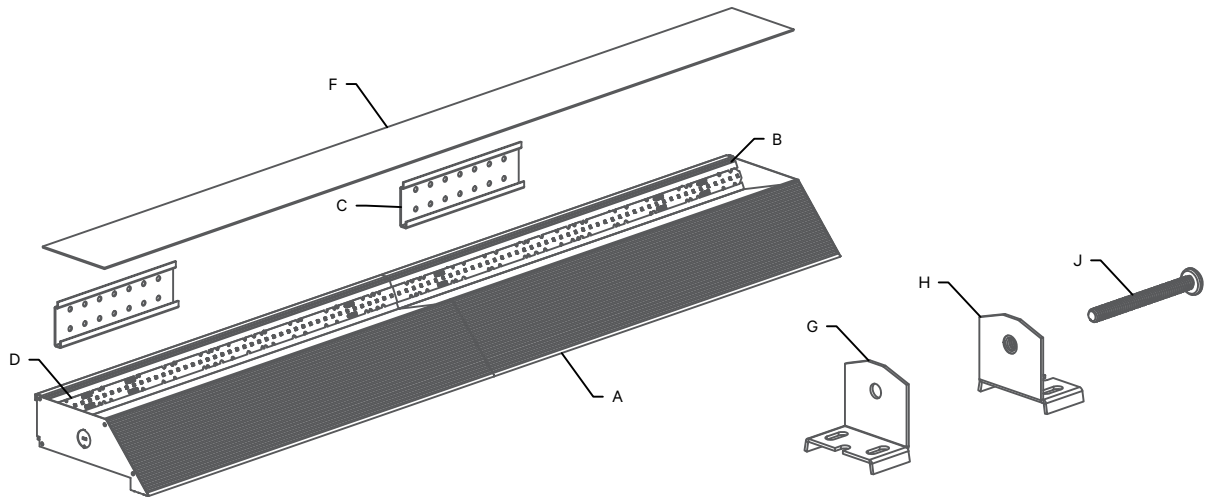
PART LIST

- A - Extrusion
- B - Reflector
- C - Wall Mount Bracket
- D - LED Board
- E - End Plate
- F - Lens
- G - Connecting Bracket
- H - Connecting Bracket
- J - 1/4-20 Machine Screw

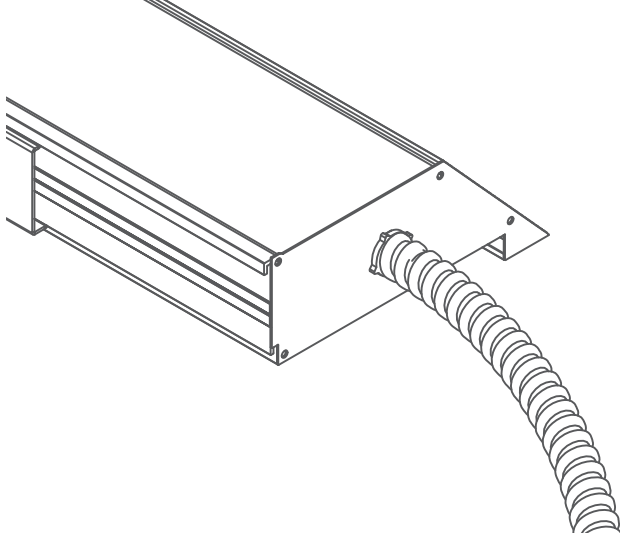
CROSS SECTION VIEW



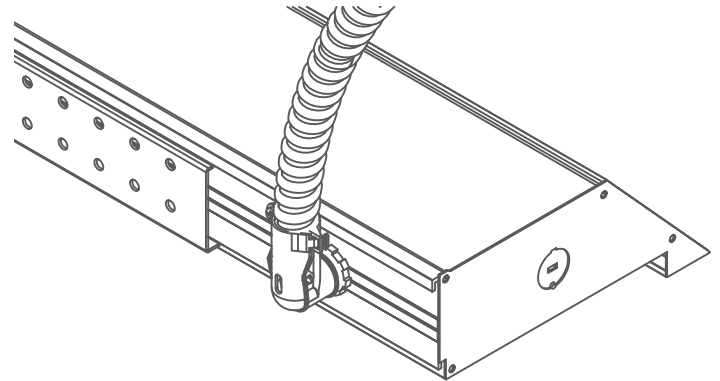
EXPLODED VIEW



END FEED



WALL FEED



Refer to submittal drawings for feed location

INDIVIDUAL FIXTURES ARE NOT INTENDED FOR CONTINUOUS RUNS.
 ADDITIONAL SUPPORTS TO THE STRUCTURE MAY BE REQUIRED.
 *CHECK WITH YOUR LOCAL BUILDING CODE FOR THOSE REQUIREMENTS.

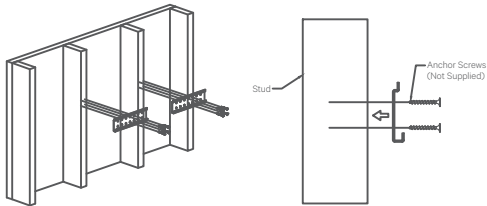
NOTE: JUNCTION BOXES MUST BE SOLIDLY FIXED TO THE CEILING AND ATTACHED TO THE STRUCTURAL MEMBER INSIDE THE CEILING BEFORE PROCEEDING WITH INSTALLATION.

INSTALLATION GUIDE-RECESSED



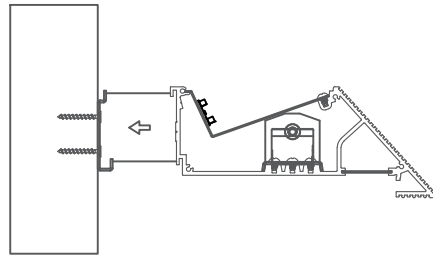
Risk of fire and electrical shock. In accordance with national local building and electrical codes, CORONET lighting fixtures must be installed by a qualified electrician. Disconnect power at electrical panel before servicing.

1



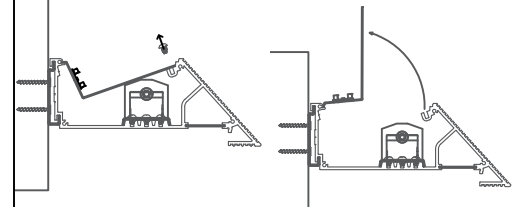
Affix Bracket to beam or wall stud, anchoring it to the structure. Mark location of bracket with a pencil or sticker. Refer to submittal drawing for bracket locations.

2



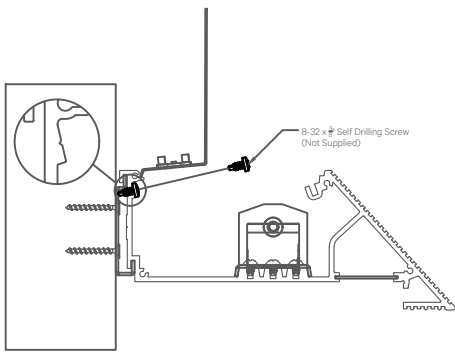
Move luminaire towards wall and onto the wall mount bracket.

3

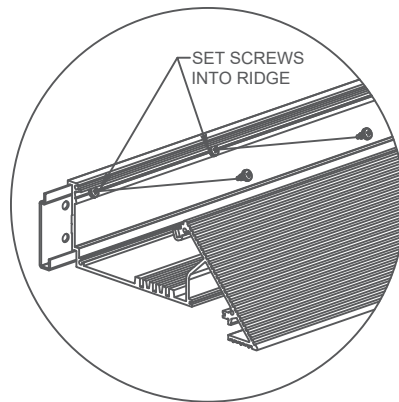


Remove 8-32 screw that secures the reflector and lift

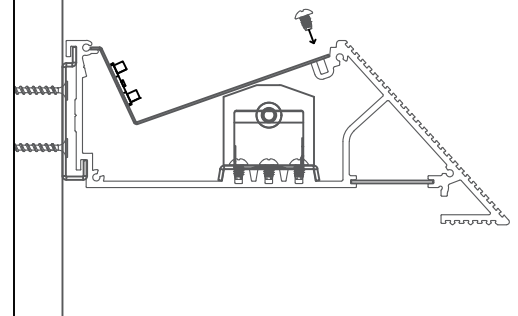
4



Secure luminaire in place using 8-32 self drilling screw. Screw through angled ridge towards towards the wall mount bracket. Make sure screw is in the same location as wall bracket. There should be 1 screw per wall mount bracket.

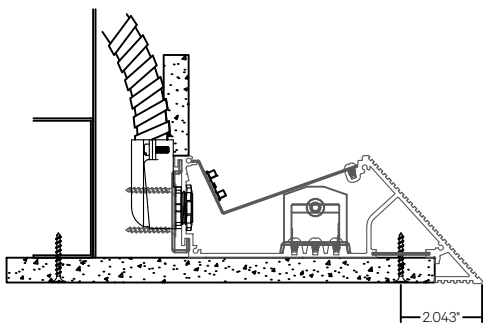


5



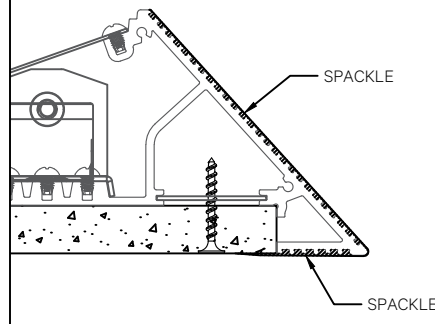
Secure reflector back in place using 8-32 type F screw.

6



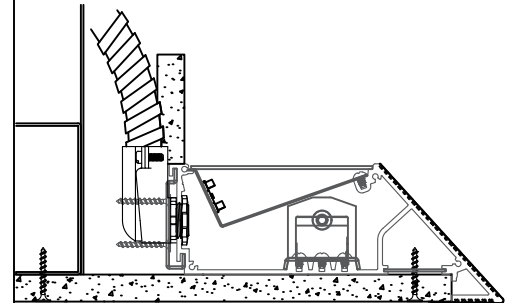
Install $\frac{5}{8}$ " drywall vertically above fixture and horizontally under fixture using $1\frac{1}{4}$ " drywall screw (not supplied). Secure front edge of horizontal drywall to bottom of fixture into perforated steel strip in fixture.

7



Apply spackle to the face of the cove as well as the horizontal underside where drywall meets luminaire.

8



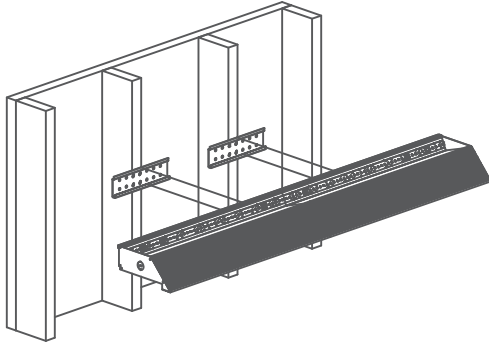
Lay dust cover on top of fixture as shown.

NOTE: JUNCTION BOXES MUST BE SOLIDLY FIXED TO THE CEILING AND ATTACHED TO THE STRUCTURAL MEMBER INSIDE THE CEILING BEFORE PROCEEDING WITH INSTALLATION.

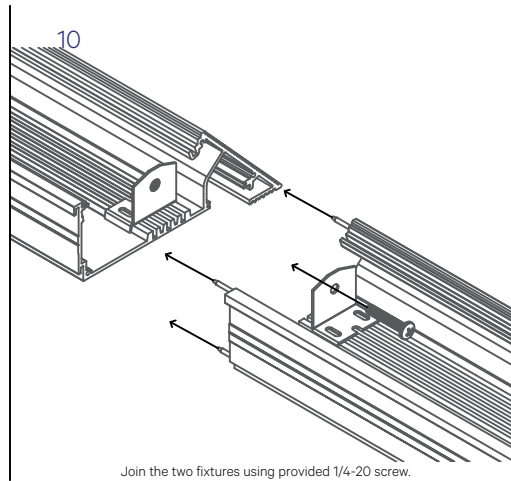


Risk of fire and electrical shock. In accordance with national local building and electrical codes, CORONET lighting fixtures must be installed by a qualified electrician. Disconnect power at electrical panel before servicing.

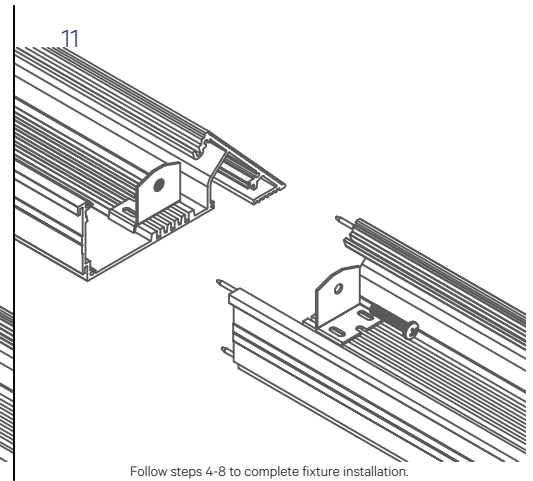
9 Continuous Runs



Repeat steps 1-3 to install first fixture and second fixture.



Join the two fixtures using provided 1/4"-20 screw.



Follow steps 4-8 to complete fixture installation.

GENERAL INSTALLATION CONSIDERATIONS - See submittal drawings for job specific data.

Operating Temperature.....-40°C to 50°C
 Operating Voltage.....110VAC-277VAC, 50Hz-60Hz
 Weight.....4.80 lb/ft
 Dimensions.....See submittal drawings

- Installation by a certified electrician only.
- Read and understand the installation instructions before attempting to install or use the fixture.
- Only use fixtures with voltage for which it is rated. Do not exceed the specified voltage and current input.
- Do not use the fixture if the housing, lens, or power cable is damaged.
- Ensure that the main power supply is off before installing or wiring the fixture.
- Method of wire connection to be determined by local electrical codes and regulations.
- The external flexible cable of this luminaire cannot be field replaced; if the cord is damaged, contact Coronet.
- The light source contained in this luminaire shall only be replaced by the lighting manufacturer or his service agent or a similar qualified person.

NOTE: JUNCTION BOXES MUST BE SOLIDLY FIXED TO THE CEILING AND ATTACHED TO THE STRUCTURAL MEMBER INSIDE THE CEILING BEFORE PROCEEDING WITH INSTALLATION.