

ZONE 6 LED

Recessed, architectural luminaire specially designed for tech-zone ceilings. For use in indoor applications where an LED providing continuous light is required. Custom light outputs available.



Features

- Glare-free LED lighting
- Available in custom lengths and long runs
- Damp Location Rated
- CRI Value: 80+; available in 90+
- 5 year, 50,000 hour lamp life Warranty
- 2700k, 3000k, 3500k, 4000k, and 5000k color temperatures available

Applications

- Offices
- Lobbies
- Retail Stores
- Classrooms
- Reception Areas
- Corridors

Details

Construction: Extruded aluminum housing.

Optics: Specially formed lens, design for maximum LED performance.

Electrical: Dimming driver side-mounted to fixture. Several driver options available. See below for Lutron Dimming information:

LTEA=2-wire forward phase; Hi-lume 1% Dimming, only available for 120V.

L3DA=3-wire EcoSystem; Hi-lume 1% Dimming

LDE1=Digital EcoSystem; Hi-lume 1% Dimming, 'soft-on fade-to-black' (Required for Daylighting)

LDE5=5 Series EcoSystem; 5% Dimming.

Warranty: 5 year limited warranty; covers standard components.

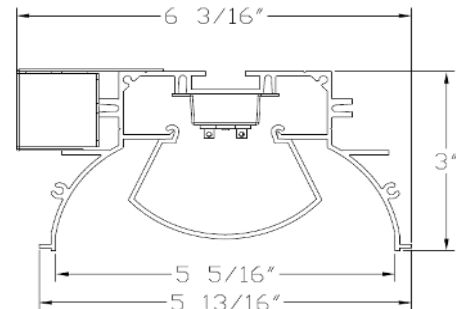
Approvals: Union made, ETL listed, and manufactured in the US. Rated for Damp Location.

LED System Information

	Nominal System Watts	Nominal Delivered Lumens	Nominal Efficacy
Standard (LTG1)	7.25W/ft	835Lm/ft	115Lm/W
Low (LTG2)	5W/ft	585Lm/ft	117Lm/W
High (LTG3)	8.75W/ft	955Lm/ft	109Lm/W

Please Note: Standard CRI is 80+, must specify for requests over 90. Outputs reflected in chart based on 4000K color temperature. For custom LED package requests consult factory; wattages vary based on specified output. Additional photometric information available.

Extrusion Dimensions



Ordering Information

ZONE 6

LED Series

Size	LED System	Color Temp	Voltage	Mounting	Driver	Options
4FT	LTG1- Standard	2700K	120	TZ- 9/16" Tech Zone	DB- Standard 10% Dimming (0-10V)	EM-Emergency Pack
5FT	LTG2- Low	3000K	277		DB1%-1% Dimming (0-10V)	WH-Whips
8FT	LTG3- High	3500K	UNV		DB0.1%-0.1% Dimming (0-10V)	EIS- Integral Sensor by Enlighted
XFT (Continuous Runs)*	C- Custom Output (ie-C550Lm/ft)	4000K			LTEA*-Lutron 2-wire 1% Dimming	WIS- Integral Sensor by Wattstopper
		5000K			L3DA*-Lutron 3-wire 1% Dimming	90CRI- CRI of 90+
					LDE1*-Lutron Digital EcoSystem	
					LDE5*-5 Series EcoSystem; 5% Dimming	

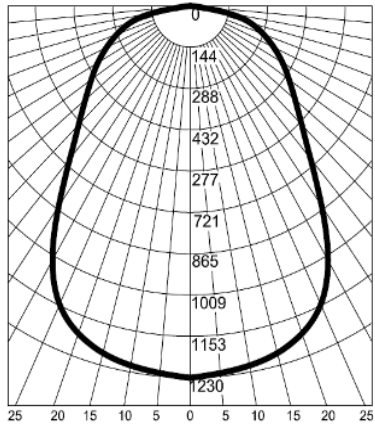
*Consult Factory

*Refer to 'Electrical' Information Above

Ordering Example: ZONE 6 LED-4FT-LTG2-4000K-UNV-NT-LTEA-EM

Photometrics

ZONE 6 LED 4FT LTG1 3500K
 DELIVERED LUMENS: 3,300Lm
 TOTAL WATTS: 29W
 EFFICACY: 113 Lumens/Watt



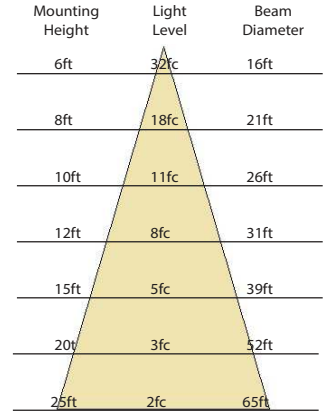
ZONAL LUMEN SUMMARY

Zone	Lumens	%Lamp	%Fixt
0.00 - 30.00	1021.93	26.90	30.91
0.00 - 40.00	1634.70	43.04	49.45
0.00 - 60.00	2741.05	72.16	82.92
0.00 - 90.00	3305.72	87.03	100.00
90.00 - 120.00	1.84	0.05	0.06
90.00 - 150.00	1.84	0.05	0.06
90.00 - 180.00	1.84	0.05	0.06
0.00 - 180.00	3305.72	87.03	100.00

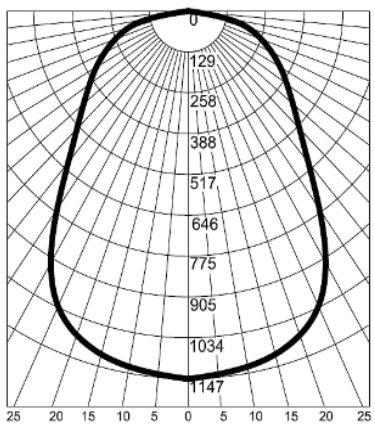
CANDELA DISTRIBUTION

0.00	22.50	45.00	67.50	90.00
0.00	1356.15	1356.15	1356.15	1356.15
5.00	1329.73	1334.37	1341.55	1347.68
10.00	1223.07	1310.56	1312.63	1321.11
15.00	1271.64	1264.99	1278.51	1284.53
20.00	1209.25	1208.44	1220.13	1233.09
25.00	1129.31	1141.50	1154.83	1167.03
30.00	1057.23	1058.07	1069.92	1086.90
35.00	952.51	958.21	980.95	1007.68
40.00	855.47	858.75	884.05	920.84
45.00	754.02	755.22	789.39	820.12
50.00	646.85	647.31	687.73	697.51
55.00	545.92	552.58	582.70	572.06
60.00	451.22	456.96	471.09	441.63
65.00	361.63	365.94	360.21	312.83
70.00	279.84	277.16	254.62	213.65
75.00	203.58	192.63	161.56	136.62
80.00	133.64	111.56	90.02	77.04
85.00	63.23	43.70	33.23	31.62
90.00	10.34	5.94	5.89	6.67

CONE OF LIGHT



ZONE 6 LED 4FT LTG2 3500K
 DELIVERED LUMENS: 2,340Lm
 TOTAL WATTS: 20W
 EFFICACY: 117 Lumens/Watt



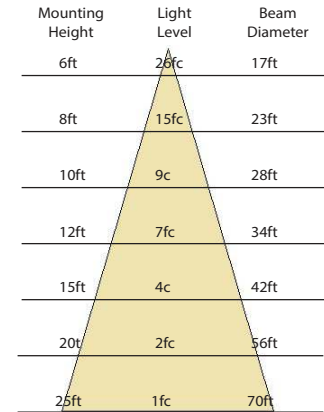
ZONAL LUMEN SUMMARY

Zone	Lumens	% Lamp	% Fixture
0.00 - 30.00	725.28	26.93	30.94
0.00 - 40.00	1159.94	43.08	49.49
0.00 - 60.00	1944.06	72.19	82.94
0.00 - 90.00	2343.88	87.04	100.00
90.00 - 120.00	1.30	0.05	0.06
90.00 - 150.00	1.30	0.05	0.06
90.00 - 180.00	1.30	0.05	0.06
0.00 - 180.00	2343.88	87.04	100.00

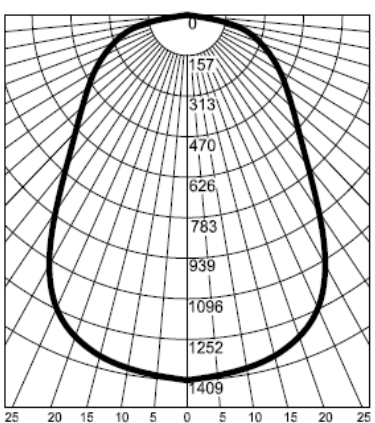
CANDELA DISTRIBUTION

0.00	22.50	45.00	67.50	90.00
0.00	946.60	946.60	946.60	946.60
5.00	948.47	957.61	956.82	957.03
10.00	925.74	935.38	938.83	938.59
15.00	903.44	902.92	904.42	912.63
20.00	858.57	863.59	867.64	872.65
25.00	805.36	808.95	815.62	824.87
30.00	748.83	748.11	760.05	772.58
35.00	678.97	684.24	693.73	713.75
40.00	603.22	608.15	627.27	650.60
45.00	531.46	535.80	561.32	590.87
50.00	456.65	460.55	490.81	494.85
55.00	387.00	389.86	412.69	404.75
60.00	320.75	323.24	333.99	311.72
65.00	256.72	259.55	254.87	222.63
70.00	197.97	196.00	179.84	152.06
75.00	144.08	135.94	115.09	96.62
80.00	94.35	78.93	63.29	54.27
85.00	44.61	30.86	23.43	22.26
90.00	7.15	4.22	4.70	4.37

CONE OF LIGHT



ZONE 6 LED 4FT LTG3 3500K
 DELIVERED LUMENS: 3,820Lm
 TOTAL WATTS: 35W
 EFFICACY: 109 Lumens/Watt



ZONAL LUMEN SUMMARY

Zone	Lumens	% Lamp	% Fixture
0.00 - 30.00	1183.19	26.94	30.96
0.00 - 40.00	1891.79	43.08	49.50
0.00 - 60.00	3170.15	72.19	82.95
0.00 - 90.00	3821.90	87.04	100.00
90.00 - 120.00	2.10	0.05	0.06
90.00 - 150.00	2.10	0.05	0.06
90.00 - 180.00	2.10	0.05	0.06
0.00 - 180.00	3821.90	87.04	100.00

CANDELA DISTRIBUTION

0.00	22.50	45.00	67.50	90.00
0.00	1561.58	1561.58	1561.58	1561.58
5.00	1557.90	1565.41	1556.49	1553.77
10.00	1519.48	1526.41	1525.35	1522.17
15.00	1466.43	1478.72	1482.33	1484.74
20.00	1397.47	1403.60	1412.86	1424.59
25.00	1318.82	1318.29	1337.87	1344.94
30.00	1217.00	1223.86	1231.56	1260.82
35.00	1101.51	1111.80	1133.06	1163.66
40.00	986.61	993.32	1026.39	1057.86
45.00	868.53	871.55	910.96	951.11
50.00	745.79	750.15	796.30	805.90
55.00	631.53	637.18	674.12	657.75
60.00	520.73	528.31	545.51	507.83
65.00	416.42	421.11	413.82	361.84
70.00	325.09	319.63	293.20	247.92
75.00	235.54	222.09	187.54	158.26
80.00	154.63	128.18	103.92	89.06
85.00	71.94	50.59	38.64	36.03
90.00	11.48	6.77	7.53	7.21

CONE OF LIGHT

