

DATE _____ PROJECT _____ FIRM _____ TYPE _____



FEATURES

- Provides 30% Uplight and 70% Direct Light Distribution
- Custom Color & Outputs Available
- Damp Location Rated
- CRI 90+ Standard; R9>50
- 5 Year, 50,000 Hour Fixture Warranty
- 3000K, 3500K & 4000K Color Temperatures Available
- Available with PoE- [See More](#)

APPLICATIONS Offices, Lobbies, Retail Stores, Classrooms, Reception Areas, & Corridors

FINISH Standard Powder-Coated White. Custom RAL Colors Available

CONSTRUCTION Die Formed and Embossed, Heavy Gauge Cold Rolled Steel Housing

OPTICS Custom Molded Opal Lens



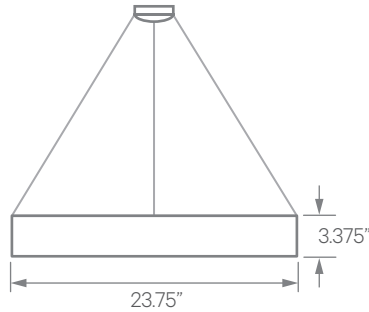
DRIVERS, SENSORS, & POE



For Wiring Diagrams, POE, and Sensor Information Click [Here](#)

ELECTRICAL Integral 0-10V Dimming Driver with 'Power Over Wire' System, Eliminating Power Feed Cord By Combining The Aircraft Cable and Power Feed. Other Driver Options Remote.

EXTRUSION DIMENSIONS

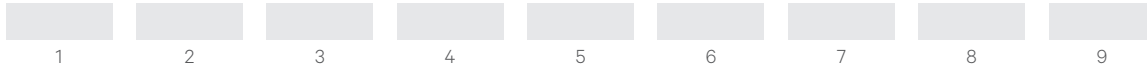


LED SYSTEM INFORMATION

	Nominal System Watts	Nominal Delivered Lumens	Nominal Efficacy
Standard (LTG1)	30 W	2,910 lm	97 LPW
Low (LTG2)	21 W	2,098 lm	100 LPW
High (LTG3)	40 W	3,763 lm	94 LPW

Based on a 90CRI, 3500K luminaire using one driver. Custom outputs available; specify below.

ORDERING



1 - FIXTURE ID

QUAD LED

2 - SIZE

2 - 2 ft

3 - COLOR TEMP

30 - 3000K/90 CRI
35 - 3500K/90 CRI
40 - 4000K/90 CRI

4 - LED SYSTEM

LTG1 - Standard
LTG2 - Low
LTG3 - High
LTGC - Custom Output

5 - VOLTAGE

UNV - Universal (120/277V)
347V* - 347V
*Must use DB Driver

6 - DRIVER

DB - Standard Dimming (0-10V)
DB.1%* - 0.1% Dimming (0-10V)
ELV-TRI* - 2-wire 1% Dimming (120V only)
ELV and TRIAC Compatible
LDE1* - Lutron Digital EcoSystem
LDE5* - 5 Series EcoSystem; 5% Dimming
PoE - Power over Ethernet. Consult Factory for Compatibility
DALI* - DALI-2 Driver

*Remote Driver

7 - FINISH

W - White (Standard)
BLK* - Black
CC* - Custom Color (provide RAL#)

8 - MOUNTING

ACP - Power Over Aircraft Cable (Standard)

9 - OTHER OPTIONS

EM 120V - Emergency Pack
EM 277V - Emergency Pack
EMCKT - Emergency Circuit
FC - Flat Canopy (Remote Driver)

*White cord and canopy provided. Must specify for other requests.