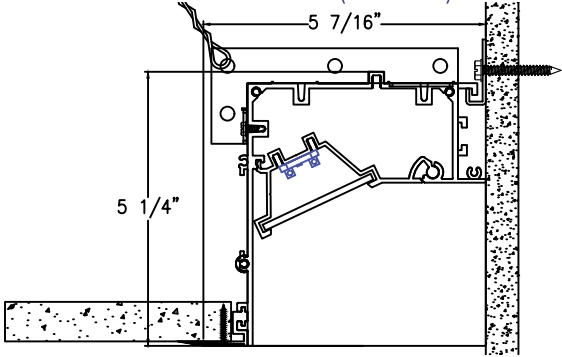


INSTALLATION GUIDE-PERIMETER

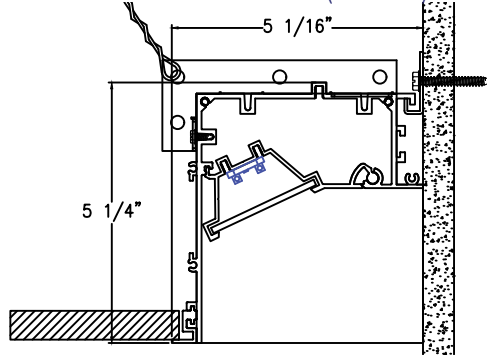


Risk of fire and electrical shock. In accordance with national local building and electrical codes, CORONET lighting fixtures must be installed by a qualified electrician. Disconnect power at electrical panel before servicing.

CROSS SECTION VIEW (NO TRIM)



CROSS SECTION VIEW (FLANGE)

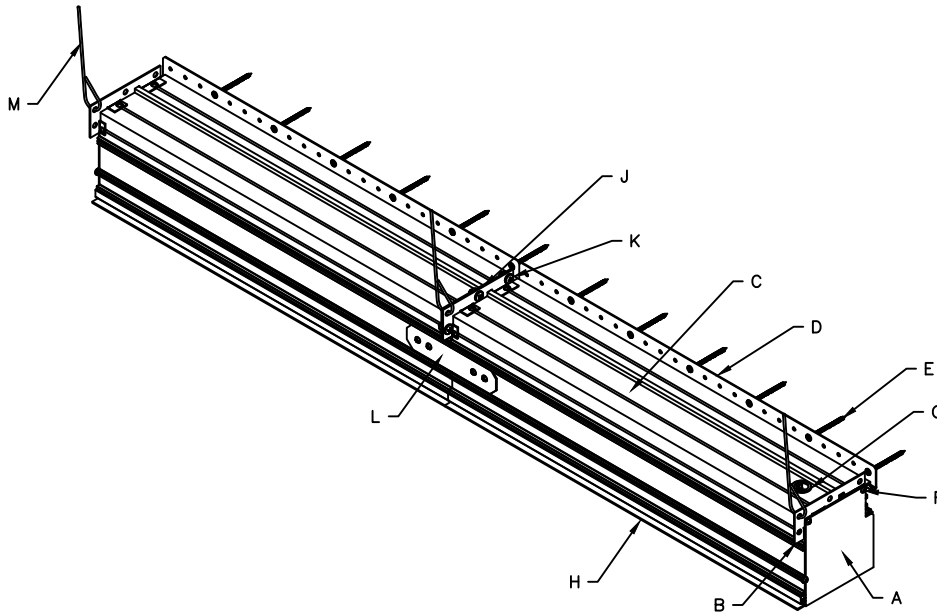


PART LIST

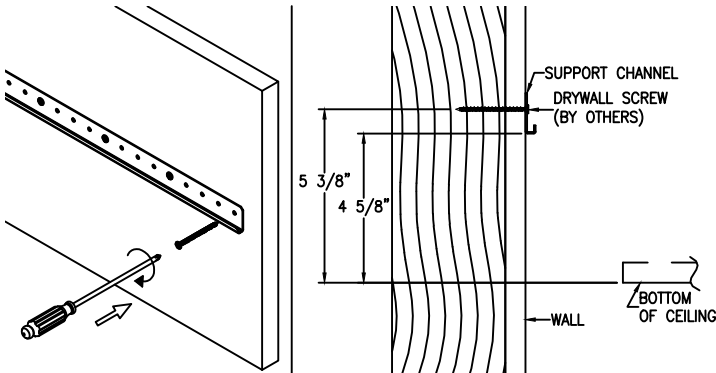
- A-End Plate
- B-Mounting Bracket
- C-Extrusion
- D-Support Bracket
- E-Drywall Screw (By Others)
- F-8-32 Screw
- G-Bushing
- H-Flange or No Trim Extrusion Attachment
- J-Connecting Bracket
- K-1/4-20 Nut
- L-Aligner Bracket
- M-Wire Ties (by others)

NOTE: WE RECOMMEND THAT THE FIXTURE BE INSTALLED BEFORE THE CEILING IS ESPECIALLY IF IT IS SHEET ROCK.

ISOMETRIC VIEW

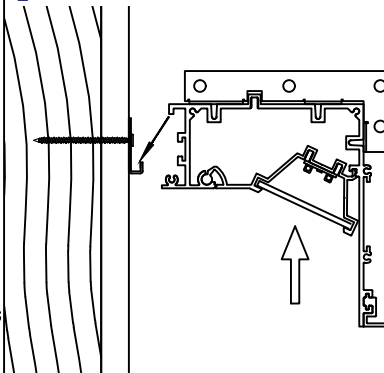


1



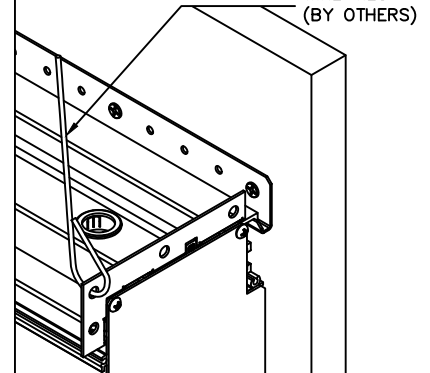
Install the support bracket to the wall by using a drywall screw (by others). Use the dimension above as a guide on where to mount it.

2



Lift the fixture and place it on the support bracket.

3



Secure the fixture to the building structure with wire ties (by others).

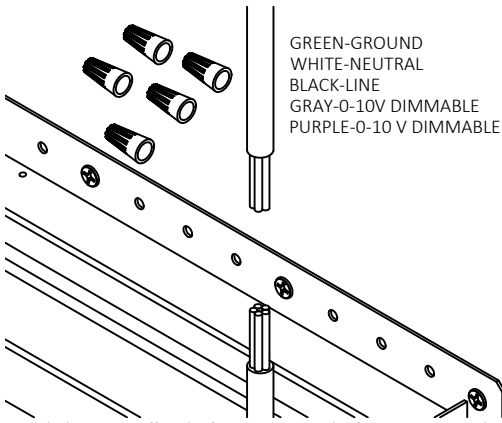
EXPLODED VIEWS ARE TO SHOW DETAIL ONLY, FIXTURES ARE SHIPPED PRE-ASSEMBLED. INDIVIDUAL FIXTURES ARE NOT INTENDED FOR CONTINUOUS RUNS.

ADDITIONAL SUPPORTS TO THE STRUCTURE MAY BE REQUIRED. *CHECK WITH YOUR LOCAL BUILDING CODE FOR THOSE REQUIREMENTS.



Risk of fire and electrical shock. In accordance with national local building and electrical codes, CORONET lighting fixtures must be installed by a qualified electrician. Disconnect power at electrical panel before servicing.

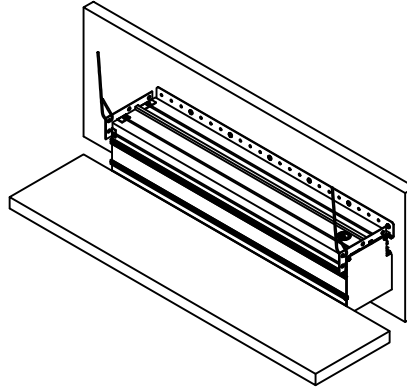
4



GREEN-GROUND
WHITE-NEUTRAL
BLACK-LINE
GRAY-0-10V DIMMABLE
PURPLE-0-10 V DIMMABLE

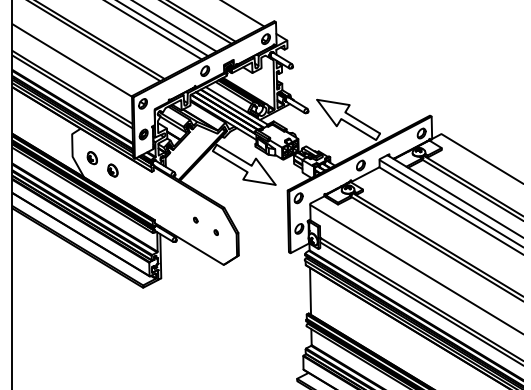
With the power off to the fixture, connect the fixture power cord to the power feed. (Wire connectors by others)

5



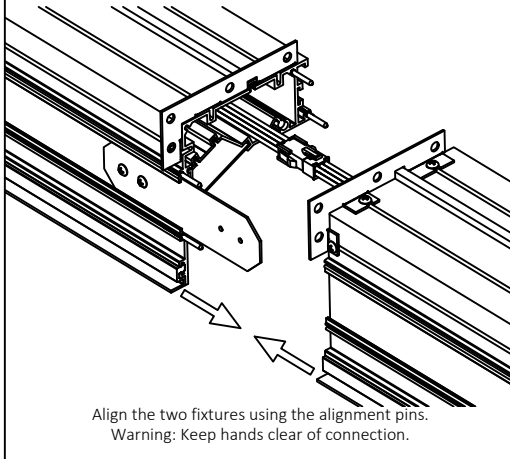
Power on the fixture to determine if it operates properly. Now the ceiling is ready to be installed.

6 Continuous Rows



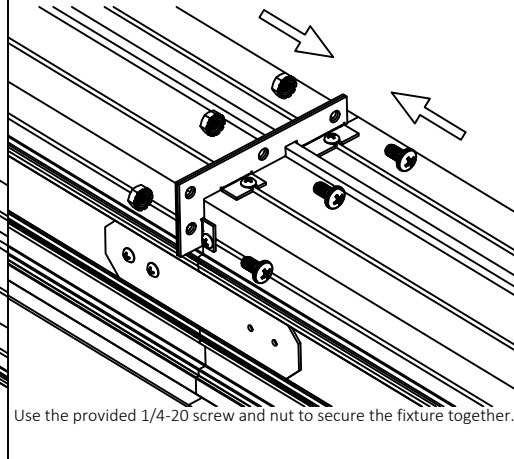
Before connecting the two fixtures, connect the wiring harness.

7



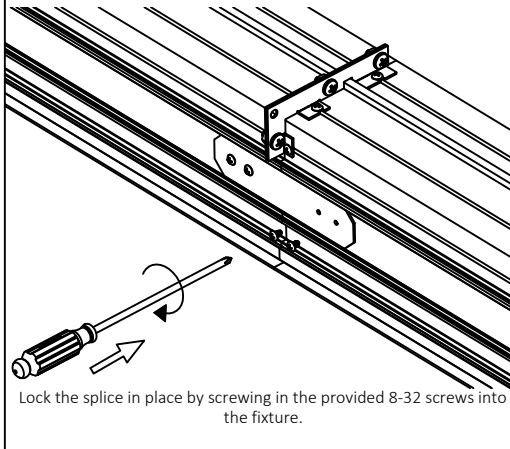
Align the two fixtures using the alignment pins.
Warning: Keep hands clear of connection.

8



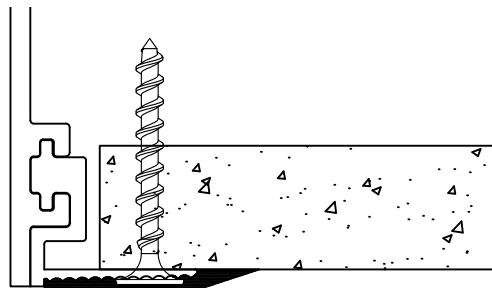
Use the provided 1/4-20 screw and nut to secure the fixture together.

9



Lock the splice in place by screwing in the provided 8-32 screws into the fixture.

10



SPACKLE UP TO FIXTURE

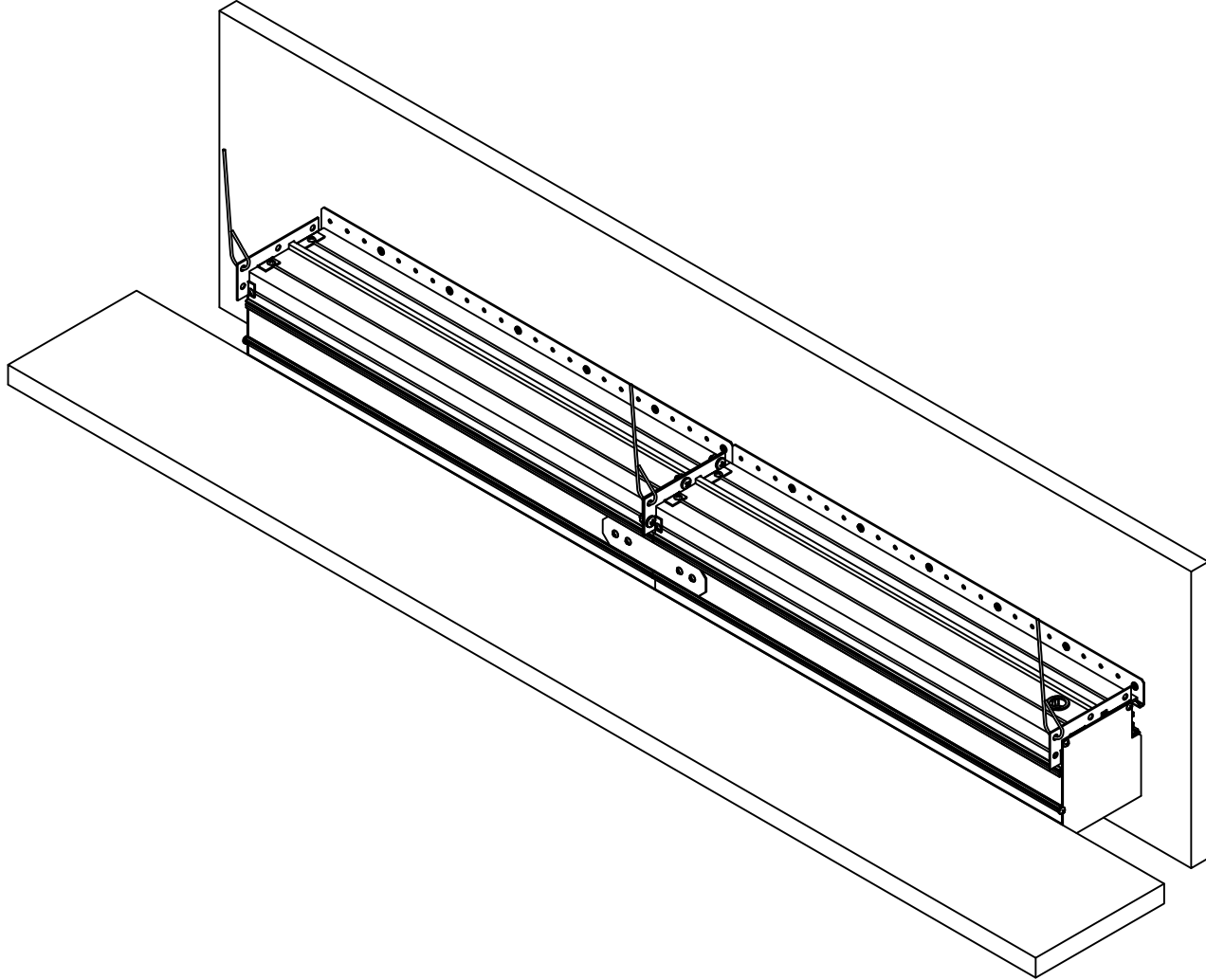
For the no trim extrusion, the ceiling can now be installed. Fasten the extrusion to the sheet rock and spackle up to the fixture.

INDIVIDUAL FIXTURES ARE NOT INTENDED FOR CONTINUOUS RUNS.
ADDITIONAL SUPPORTS TO THE STRUCTURE MAY BE REQUIRED.
*CHECK WITH YOUR LOCAL BUILDING CODE FOR THOSE REQUIREMENTS.



Risk of fire and electrical shock. In accordance with national local building and electrical codes, CORONET lighting fixtures must be installed by a qualified electrician. Disconnect power at electrical panel before servicing.

11



Repeat steps 2-4 to finish installing your fixture. Check that the fixture operates properly after connecting them.

GENERAL INSTALLATION CONSIDERATIONS - See submittal drawings for job specific data.

Operating Temperature.....-40°C to 50°C
 Operating Voltage.....110VAC-277VAC, 50Hz-60Hz
 Weight.....lb/ft
 Dimensions.....See submittal drawings

- Installation by a certified electrician only.
- Read and understand the installation instructions before attempting to install or use the fixture.
- Only use fixtures with voltage for which it is rated. Do not exceed the specified voltage and current input.
- Do not use the fixture if the housing, lens, or power cable is damaged.
- Ensure that the main power supply is off before installing or wiring the fixture.
- Method of wire connection to be determined by local electrical codes and regulations.
- The external flexible cable of this luminaire cannot be field replaced; if the cord is damaged, contact Coronet.
- The light source contained in this luminaire shall only be replaced by the lighting manufacturer or his service agent or a similar qualified person.

Please contact our technical support team for assistance.

INDIVIDUAL FIXTURES ARE NOT INTENDED FOR CONTINUOUS RUNS.
 ADDITIONAL SUPPORTS TO THE STRUCTURE MAY BE REQUIRED.
 *CHECK WITH YOUR LOCAL BUILDING CODE FOR THOSE REQUIREMENTS.