

Fin Sconce

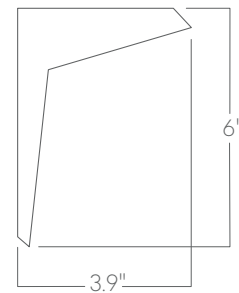


Our linear architectural luminaires offer a wide range of profiles and mounting options. Custom lengths and patterns are tailored to suit any modern space.

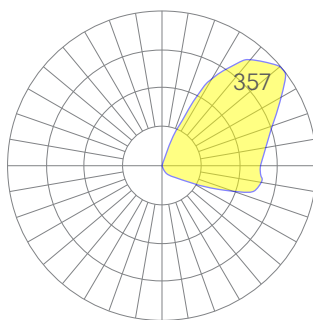
Features

- Extruded, recycled aluminum housing
- Aluminum core LED boards, specifiable optics
- Specifiable color temperature. CRI > 90, R9 >50
- Custom lengths, welded patterns, and finishes available
- Specifiable dimmable drivers or PoE
- 5 Year, 50,000 hour warranty
- WELL Building Standard compatible [learn more](#)

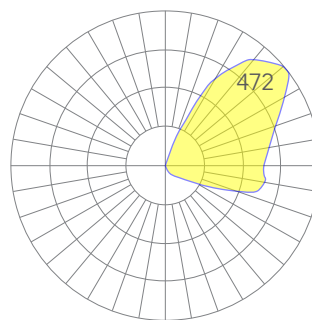
Dimensions



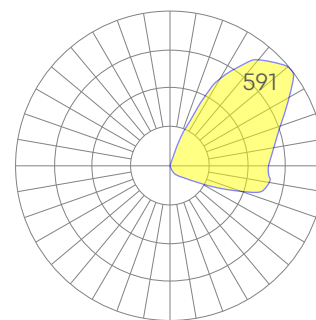
Optics



low



medium



high

Representative distribution and peak candela. For other options see order information. See IES files [here](#).

Fin Sconce

Ordering Information



Example: FIN SCNCE - 8 - 35 - MED - UNV - DB - W - AC - SD - CCS - DAYCKT - NA

| Fixture ID | Length | Color Temperature | Output |
|---|--|--|--|
| 1 | 2 | 3 | 4 |
| FIN SCNCE | 5" | 27 2700K/90 CRI 30 3000K/90 CRI 35 3500K/90 CRI 40 4000K/90 CRI | LOW Low output MED Medium output HIGH High output CUST Custom output ¹ |
| ¹ Sconce is 5" in width | | | |
| ² consult factory | | | |
| Voltage | Driver | Finish | Mounting |
| 5 | 6 | 7 | 8 |
| UNV Universal (120/277V) 347V 347V | DB Standard 0-10V 1% DB.1% 0-10V 0.1% ELV 2-wire 1% (120V only) TRI Forward phase (120V only) LDE1 Lutron Digital EcoSystem DALI DALI-2 Driver PoE Power over Ethernet. DMX¹ DMX512 | W White BLK Black CC¹ Custom Color CWF¹ Custom Wood Finish | WM Wall Mount |
| ¹ Must use DB Driver | ¹ Set to default address 001. RDM capable. Contact us for other addressing needs. | ¹ Custom Color. See finish options here. White SJ cord and canopy provided; for other requests, see section 12 to specify. | |
| Optics | Sensors/Controls | Circuit | Options |
| 9 | 10 | 11 | 12 |
| SD Standard Diffuser | NA None EIS Enlighted sensor WISM Wattstopper occupancy sensor WISD Wattstopper daylight sensor ECS Eaton WaveLinX sensor ACM Acuity nLight module only ACS Acuity nLight sensor CCS Casambi module | NA None EM120V Emergency Pack EM277V Emergency Pack EMCKT Emergency Circuit DAYCKT Daylight Circuit | NA None |
| ¹ Consult factory for other options. | | | |

Performance

| Output ¹ | Watts/ft | Lumens/ft |
|---------------------|----------|-----------|
| Low | 6 | 687 |
| Medium | 8 | 907 |
| High | 11 | 1136 |

¹Based on a typically configured 90 CRI, 3500K luminaire using one driver.

Custom outputs available. Please consult factory.
For 4000K multiply by 1.05; for 3000K 0.96; for 2700K, 0.92.

Technical Information



click [here](#) or scan QR code

Wiring diagrams, PoE and sensor details

Modification date: October, 2021

Page 2 of 4

Fin Sconce

Drivers & Electrical

Integral drivers* with 0-10V Dimming standard. Several other driver options available; see ordering information.

*DMX drivers are provided in remote enclosures.

Sensors & Controls

Sensors are installed on an aluminum plate adjacent to the luminaire lens¹. Coronet remains agnostic in our approach to sensors and control systems; our fixtures are compatible with most systems offered.

¹Not applicable to indirect only models. Consult factory.

Emergency Back-Up

For fixtures three-feet or longer, a 4W integral emergency driver may be wired to 4ft sections. 7W, 10W, and 12W drivers are also available (not all integral; consult factory). Emergency circuits for use with building generators are also available.

PoE (Power over Ethernet)

Compatible with virtually all PoE systems including Molex Coresync, Igor, Smartengine, Platformatics, and NuLED SPICEbox. Consult Factory for systems not listed, See [here](#) for more info.

Finishes

All luminaires are finished in high quality polyester powder coating. Our standard color is white. Any RAL color may be specified.

Weight

5 lbs per foot

Optics

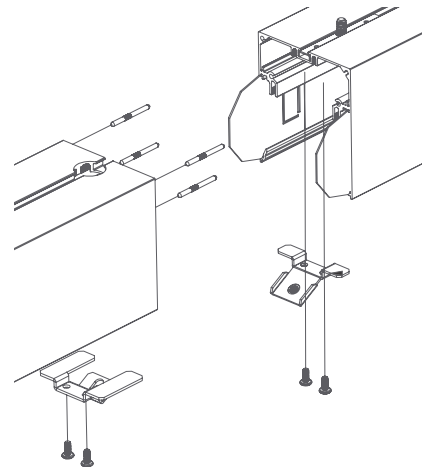
Extruded satin acrylic lenses provide excellent diffusion, high transmission, and no LED imaging.

Construction

Housings are extruded premium, recycled aluminum. Individual fixtures are available up to 12' long and may be specified as nominal or precision lengths. Precision lengths are supplied within 1/8" tolerance.

Joined Runs

Runs of any length may be specified and are comprised of multiple, factory-engineered, joined sections. Individually specified luminaires are not field joinable.

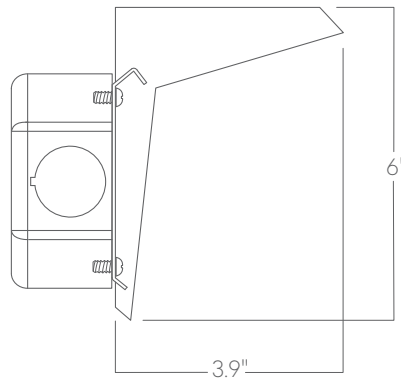


Representative joinery. For product specific details see installation guides or submittal drawings.

Fin Sconce

Mounting Options

Custom mounting types and ceiling transitions available; consult factory.



Wall mount