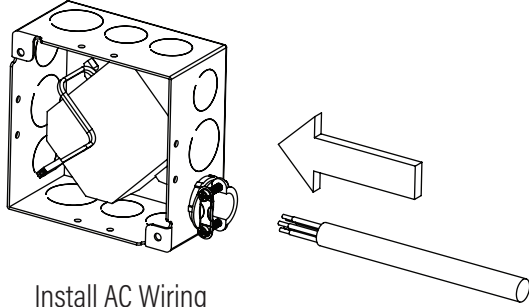




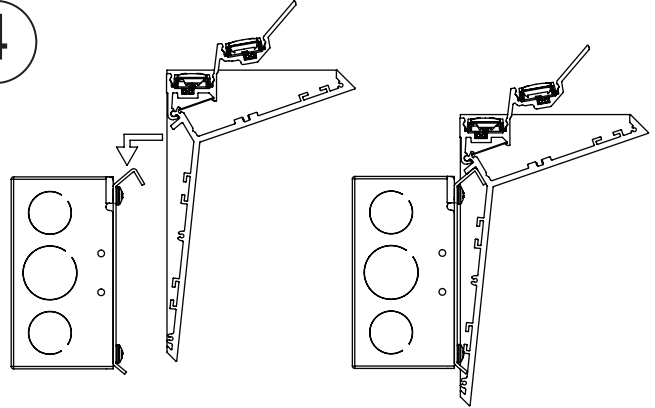
Risk of fire and electrical shock. In accordance with national local building and electrical codes, CORONET lighting fixtures must be installed by a qualified electrician. Disconnect power at electrical panel before servicing.

1



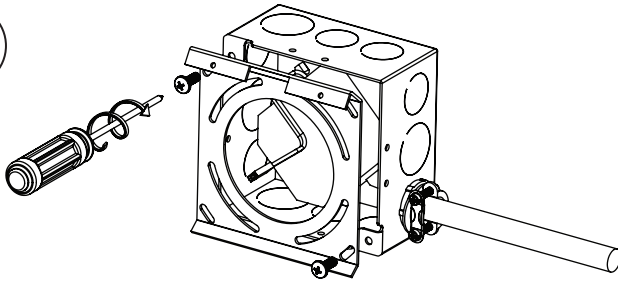
Install AC Wiring
3 Conductor for Non dimming
5 Conductor for 0-10 Volt dimming

4



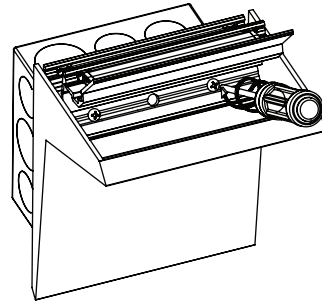
Lift and install fixture on to Junction Box Cover

2



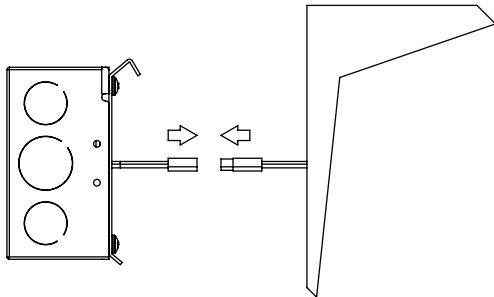
Install Junction Box Plate
Using Philips Screw Driver

5



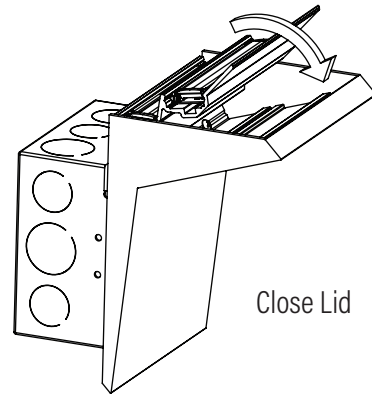
Using a Philips Screw Driver
Mount fixture to Junction Box Cover

3



Plug in Fixture

6



Close Lid

GC/EC TO PROVIDE BLOCKING AND ADDITIONAL SUPPORT AS REQUIRED TO SECURELY SUPPORT FIXTURE PER LOCAL CODE

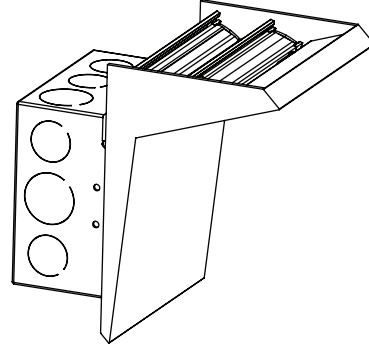


Risk of fire and electrical shock. In accordance with national local building and electrical codes, CORONET lighting fixtures must be installed by a qualified electrician. Disconnect power at electrical panel before servicing.

Wiring Legend

White	AC Neutral
Black	AC Live
Purple	0-10 +
Grey	0-10 -
Red	DC +
Black	DC -

7



GENERAL INSTALLATION CONSIDERATIONS - See submittal drawings for job specific data.

Operating Temperature.....	-20°C to 50°C
Operating Voltage.....	110VAC-277VAC, 50Hz-60Hz
Weight.....	1.8 lb/ft
Dimensions.....	See submittal drawings

- Installation by a certified electrician only.
- Read and understand the installation instructions before attempting to install or use the fixture.
- Only use fixtures with voltage for which it is rated. Do not exceed the specified voltage and current input.
- Do not use the fixture if the housing, lens, or power cable is damaged.
- Ensure that the main power supply is off before installing or wiring the fixture.
- Method of wire connection to be determined by local electrical codes and regulations.
- The external flexible cable of this luminaire cannot be field replaced; if the cord is damaged, contact Coronet.
- The light source contained in this luminaire shall only be replaced by the lighting manufacturer or his service agent or a similar qualified person.

Please contact our technical support team for assistance.