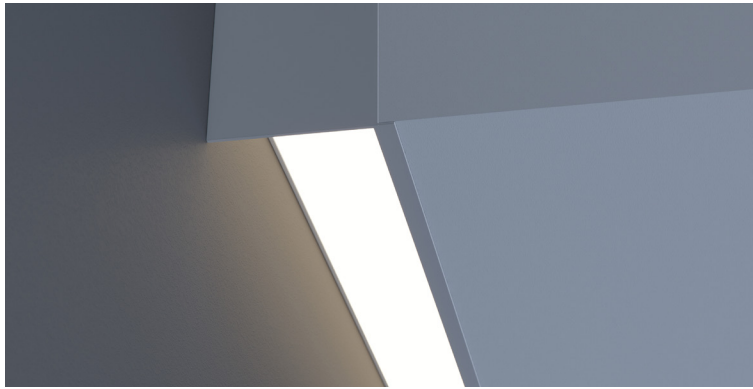


DATE _____ PROJECT _____ FIRM _____ TYPE _____



FEATURES

- Perimeter System
- Field Adjustable Telescopic Ends Optional
- Available In Made To Measure Lengths Accurate Up To 1/16"
- Damp Location Rated
- CRI 90+ Standard; R9>50
- 5 Year, 50,000 Hour Fixture Warranty
- 2700K, 3000K, 3500K, 4000K & 5000K Color Temperatures Available
- Available with PoE- [See More](#)

APPLICATIONS Offices, Lobbies, Retail Stores, Classrooms, Reception Areas, & Corridors

FINISH Standard Powder-Coated White. Custom RAL Colors Available

CONSTRUCTION Extruded Aluminum Housing with Fascia to Control Light Distribution

OPTICS Extruded High Transmission Satin Acrylic Lens with Some Diode Image Visible

FIXTURE RATINGS & CERTIFICATIONS

Union Made
ETL Listed

Made In The USA
Damp Location Rated



DRIVERS & SENSORS, & POE

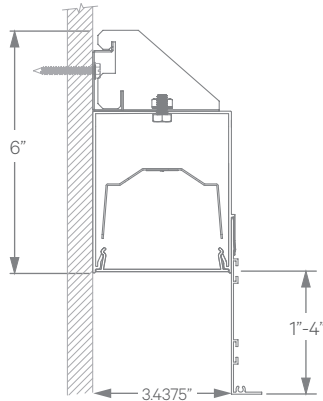
For Wiring Diagrams, POE, and Sensor Information Click [Here](#)



ELECTRICAL

Integral Driver with 0-10V Dimming Standard. Several Driver Options Available

EXTRUSION DIMENSIONS



LED SYSTEM INFORMATION

	Nominal System Watts	Nominal Delivered Lumens	Nominal Efficacy
Standard (LTG1)	7.25 W/ft	623 lm/ft	86 LPW
Low (LTG2)	5 W/ft	442 lm/ft	88 LPW
High (LTG3)	10 W/ft	833 lm/ft	83 LPW

Based on a 90CRI, 3500K luminaire using one driver. Custom outputs available; specify below.

ORDERING



1 - FIXTURE ID

PG4 LED

2 - LENGTH

2 - 2 ft
4 - 4 ft
8 - 8 ft
X'-X" - Specify Length

3 - COLOR TEMP

27 - 2700K/90 CRI
30 - 3000K/90 CRI
35 - 3500K/90 CRI
40 - 4000K/90 CRI
50 - 5000K/90 CRI
WD* - Warm Dim
2200K-3000K
TW** - Tunable White
2700K-6500K
RGBW30*** - RGB + 3000K
RGBW35*** - RGB + 3500K

*Requires WD10 Driver
**Requires DMX or TW10 Driver
***Requires DMX Driver

4 - LED SYSTEM

LTG1 - Standard
LTG2 - Low
LTG3 - High
LTGC - Custom Output

5 - VOLTAGE

UNV - Universal
(120/277V)
347V* - 347V
*Must use DB Driver

6 - DRIVER

DB - Standard 1% Dimming (0-10V)
DB.1% - 0.1% Dimming (0-10V)
ELV-TRI - 2-wire 1% Dimming (120V only)
ELV and TRIAC Compatible
LDE1 - Lutron Digital EcoSystem
LDE5 - 5 Series EcoSystem; 5% Dimming
DALI - DALI-2 Driver
PoE - Power over Ethernet. Consult Factory for Compatibility
DMX - For Color Tuning and RGBW (Remote)
TW10 - Dual Channel, 0-10V For Color Tuning (CCT and Intensity Control)
WD10 - 0-10V Driver For Warm Dimming

7 - FINISH

W - White (Standard)
CC - Custom Color
(provide RAL#)

8 - MOUNTING

T - 9/16" Tee Grid
T15 - 15/16" Tee Grid
NT - Spackle Flange

9 - REGRESS

1"
2"
3"
4"

10 - CIRCUIT (Optional)

EM 120V - Emergency Pack
EM 277V - Emergency Pack
EMCKT - Emergency Circuit

11 - OPTIONS

TA - Telescopic Adjustable End*
WH6 - 6ft Whips Preinstalled
CP - Chicago Plenum

*See page 2 for details

DATE

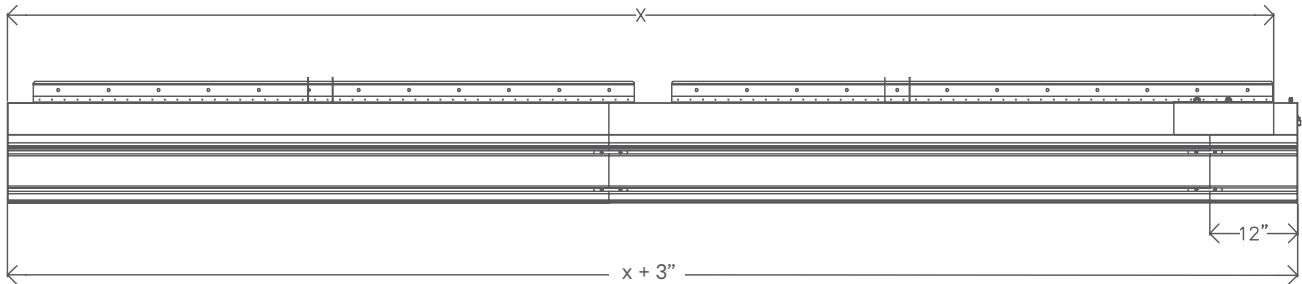
PROJECT

FIRM

TYPE

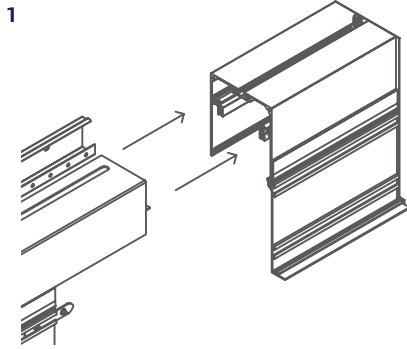
OPTIONAL TELESCOPIC ADJUSTABLE END (TA)

Field adjustable +3/-4" inches for flexibility. See example below.

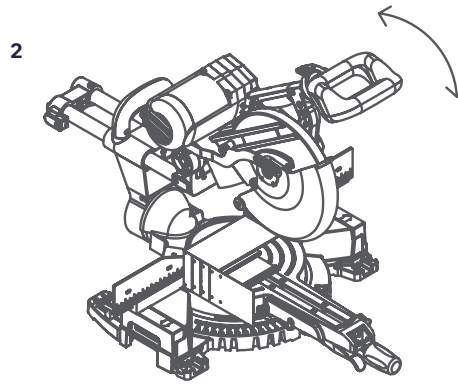


X = Fixture size ordered by client
 X + 3" = Fixture size built and supplied by Coronet

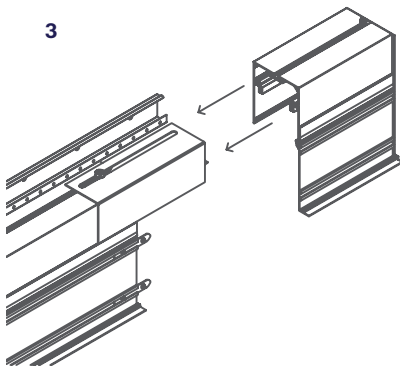
Simple install instructions below. **For complete installation guide** see website or consult factory.



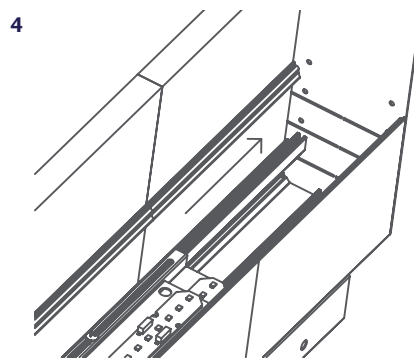
Remove End



Saw Cut Extrusion



Replace End



Slide Adjustable LED Board Reflector Appropriately