

# PG4 perimeter glow

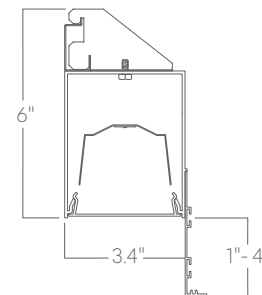


Our Perimeter Glow luminaires regress into ceilings at the edges of spaces, providing subtle, even, vertical illumination. Custom lengths and patterns are tailored to suit any modern space.

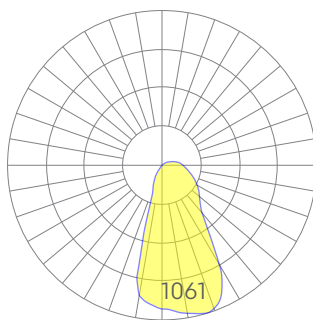
## Features

- Extruded, recycled, premium aluminum housing
- Optional, field-adjustable telescopic ends
- Aluminum core LED boards, specifiable optics
- Specifiable color temperature. CRI > 90, R9 >50
- Custom lengths and finishes available
- Specifiable dimmable drivers or PoE
- 5 Year, 50,000 hour warranty
- WELL Building Standard compatible [learn more](#)

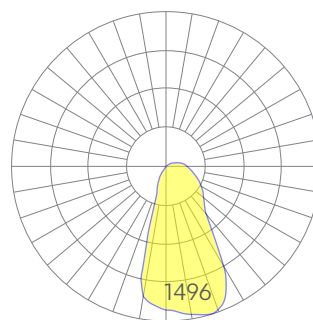
## Dimensions



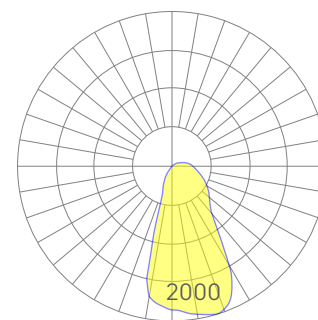
## Optics



low



medium



high

Representative distribution and peak candela. For other options see order information or IES files [here](#).

# PG4 perimeter glow

## Ordering Information



Example: PG4 - 8 - 35 - MED - UNV - DB - W - AC - RG - CCS - DAYCKT - NA

Fixture ID	1	Length	2	Color Temperature	3	Output	4
<b>PG4</b>		<b>2</b> 2 ft <b>4</b> 4 ft <b>8</b> 8 ft <b>X'-X"</b> Specify Length <sup>1</sup> <b>PAT</b> Pattern (Consult Factory)		<b>27</b> 2700K/90 CRI <b>30</b> 3000K/90 CRI <b>35</b> 3500K/90 CRI <b>40</b> 4000K/90 CRI <b>50</b> 5000K/90 CRI  <b>WD</b> <sup>1</sup> Warm Dim 2200K-3000K <b>TW</b> <sup>2</sup> Tunable White 2700K-6500K		<b>LOW</b> Low output <b>MED</b> Medium output <b>HIGH</b> High output <b>CUST</b> Custom output <sup>1</sup>	
		<small><sup>1</sup>Precision lengths may be specified to the nearest 1/8".</small>		<small><sup>1</sup>Must use WD10 driver. <sup>2</sup>Must use TW10 or PSQ driver.</small>		<small><sup>1</sup>consult factory</small>	
Voltage	5	Driver	6	Finish	7	Mounting	8
<b>UNV</b> Universal (120/277V) <b>347V</b> 347V		<b>DB</b> Standard 0-10V 1% <b>DB.1%</b> 0-10V 0.1% <b>ELV</b> 2-wire 1% (120V only) <b>TRI</b> Forward phase (120V only) <b>LDE1</b> Lutron Digital EcoSystem <b>DALI</b> DALI-2 Driver <b>PoE</b> Power over ethernet. <b>TW10</b> Dual channel, 0-10V for tunable white.  <b>WD10</b> 0-10V Warm Dim <b>PSQ</b> Lutron T-Series 2-channel 1% for tunable white <b>DMX</b> <sup>1</sup> DMX512		<b>W</b> White <b>BLK</b> Black <b>CC</b> <sup>1</sup> Custom Color		<b>T</b> 9/16" Tee Grid <b>T15</b> 15/16" Tee Grid <b>NT</b> Mud-in Flange	
		<small><sup>1</sup>Set to default address 001. RDM capable. Contact us for other addressing needs.</small>		<small><sup>1</sup>Custom Color. See finish options here.</small>			
Optics	9	Sensors/Controls	10	Circuit	11	Options	12
<b>1" RG</b> 1 inch regress <b>2" RG</b> 2 inch regress <b>3" RG</b> 3 inch regress <b>4" RG</b> 4 inch regress		<b>NA</b> None <b>ACM</b> Acuity nLight Module Only <b>CCS</b> Casambi Module		<b>NA</b> None <b>EM120V</b> Emergency Pack <b>EM277V</b> Emergency Pack <b>EMCKT</b> Emergency Circuit <b>DAYCKT</b> Daylight Circuit		<b>NA</b> None <b>TA</b> <sup>1</sup> Telescopic adjustable end <b>WH6</b> 6ft whips preinstalled <b>CP</b> Chicago Plenum	
		<small>Consult factory for other options.</small>				<small><sup>1</sup>See page 4 for details</small>	

## Performance

Output <sup>1</sup>	Watts/ft	Lumens/ft
Low	5	456
Medium	8	643
High	10	860

<sup>1</sup>Based on a typically configured 90 CRI, 3500K luminaire using one driver.

Custom outputs available. Please consult factory.  
For 4000K multiply by 1.05; for 3000K 0.9; for 2700K, 0.92

## Technical Information



click [here](#) or scan QR code

Wiring diagrams, PoE and sensor details

Modification date: October, 2021

Page 2 of 5

# PG4 perimeter glow

## Drivers & Electrical

Integral drivers\* with 0-10V Dimming standard. Several other driver options available; see ordering information.

\*DMX drivers are provided in remote enclosures.

## Sensors & Controls

Sensors are installed on an aluminum plate adjacent to the luminaire lens<sup>1</sup>. Coronet remains agnostic in our approach to sensors and control systems; our fixtures are compatible with most systems offered.

<sup>1</sup>Not applicable to indirect only models. Consult factory.

## Emergency Back-Up

For fixtures three-feet or longer, a 4W integral emergency driver may be wired to 4ft sections. 7W, 10W, and 12W drivers are also available (not all integral; consult factory). Emergency circuits for use with building generators are also available.

## PoE (Power over Ethernet)

Compatible with virtually all PoE systems including Moxel Coresync, Igor, Smartengine, Platformatics, and NuLED SPICEbox. Consult Factory for systems not listed, See [here](#) for more info.

## Finishes

All luminaires are finished in high quality polyester powder coating. Our standard color is white. Any RAL color may be specified.

## Weight

5 lbs per foot

## Patterns

Featuring illuminated welded corners and angles. Consult factory for custom designs and elevations.

## Optics

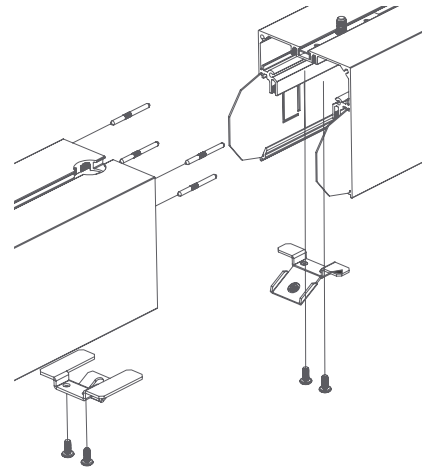
Extruded satin acrylic lenses provide excellent diffusion, high transmission, and no LED imaging.

## Construction

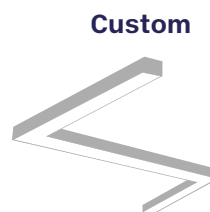
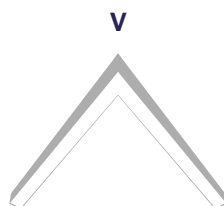
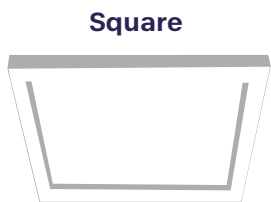
Housings are extruded premium, recycled aluminum. Individual fixtures are available up to 12' long and may be specified as nominal or precision lengths. Precision lengths are supplied within 1/8" tolerance.

## Joined Runs

Runs of any length may be specified and are comprised of multiple, factory-engineered, joined sections. Individually specified luminaires are not field joinable.



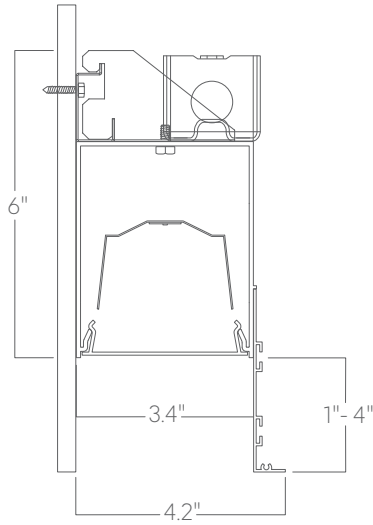
Representative joinery. For product specific details see installation guides or submittal drawings.



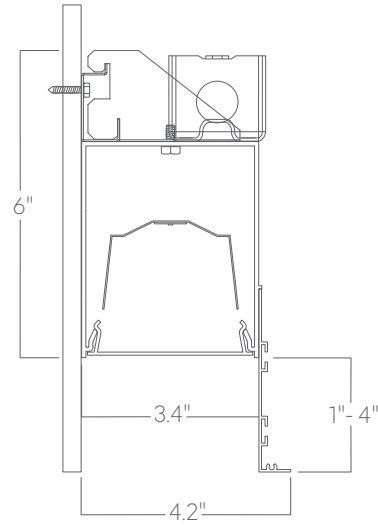
# PG4 perimeter glow

## Mounting Options

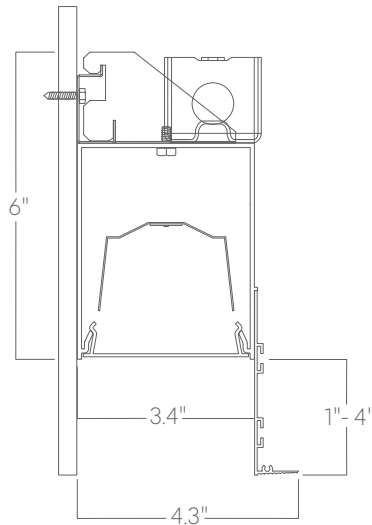
Custom mounting types and ceiling transitions available; consult factory.



**T**  
9/16" tee grid



**T15**  
15/16" tee grid

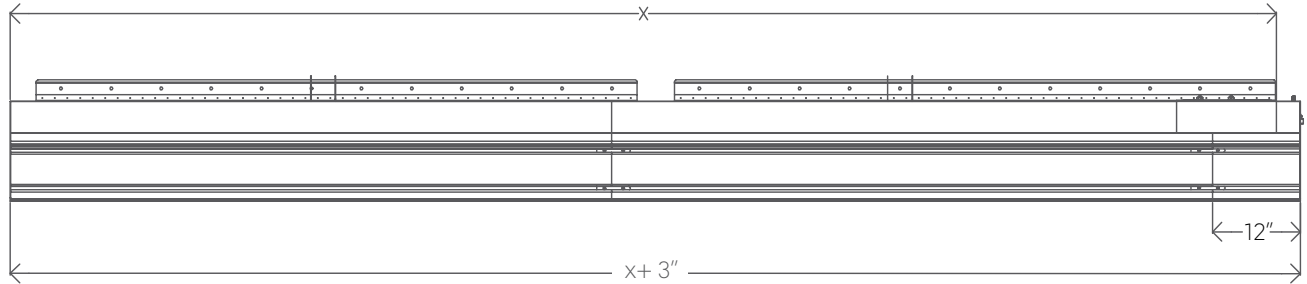


**NT**  
mud-in flange

# PG4 perimeter glow

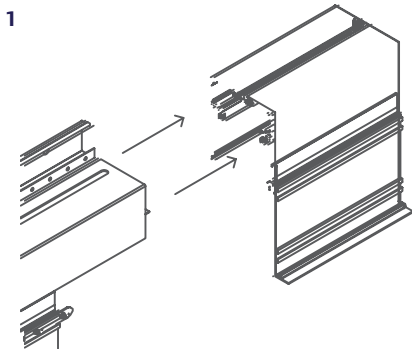
## OPTIONAL TELESCOPIC ADJUSTABLE END (TA)

Field adjustable +3/-4" inches for flexibility. See example below..

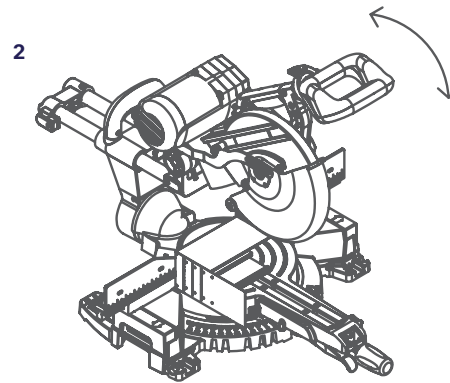


X = Fixture size ordered by client  
X + 3" = Fixture size built and supplied by Coronet

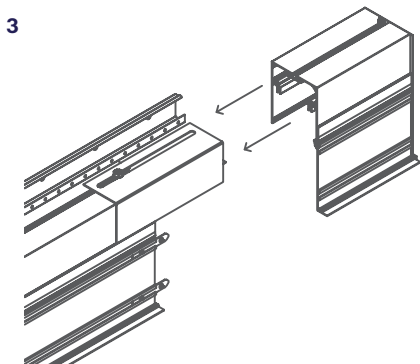
Simple installation instructions below; For complete installation guide see website or consult factory.



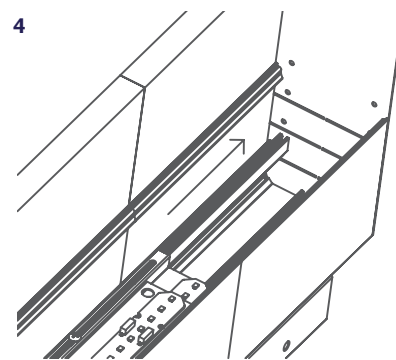
Remove End



Cut extrusion



Replace End



Slide Adjustable LED board reflector appropriately