


DATE	PROJECT	FIRM	TYPE
------	---------	------	------



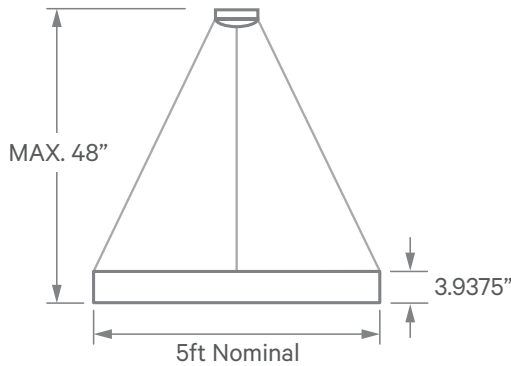
Suspended, architectural LED halo providing uplight and downlight. Great for lobbies and modern office spaces. Available suspended with cable/canopy up to 48". Custom colors available.

FEATURES

- Custom Colors And Outputs Available
- Damp Location Rated
- CRI 90+ Standard
- 5 Year, 50,000 Hour Fixture Warranty
- 3000K & 3500K Color Temperatures Available

APPLICATIONS	Offices, Lobbies, Retail Stores, Reception Areas & Corridors			
CONSTRUCTION	Die Formed & Embossed, Heavy Gauge Rolled Steel Housing. Spun Steel Trim.	OPTICS	Custom Molded Opal Lens	
WARRANTY	5 Year Limited Warranty (Covers Standard Components)		FINISH	Standard Powder-Coated White. Custom RAL Colors Available
FIXTURE RATINGS & CERTIFICATIONS	Union Made ETL Listed	Made In The USA Damp Location Rated		
ELECTRICAL	Integral Driver With 0-10V 10% Dimming Standard. Driver Remote With "FC" (Flat Canopy) Option			

EXTRUSION DIMENSIONS



LED SYSTEM INFORMATION

	Nominal System Watts	Nominal Delivered Lumens	Nominal Efficacy
Standard (LTG1)	60 W	5,450 Lm	90 Lm/W
Low (LTG2)	50 W	4,600 Lm	92 Lm/W
High (LTG3)	72.5 W	6,400 Lm	88 Lm/W

Based on a 3500K luminaire using one driver. Please consult factory for custom lumen outputs & wattage.

ORDERING	1	2	3	4	5	6	7	8	9
-----------------	---	---	---	---	---	---	---	---	---

1 - FIXTURE ID LOOP LED	2 - LENGTH 5 - 5 ft	3 - COLOR TEMP 30 - 3000K/90 CRI 35 - 3500K/90 CRI TW* - Tunable White RGBW* - RGB + 3000K *Must use DMX Driver	4 - LED SYSTEM LTG1 - Standard LTG2 - Low LTG3 - High C - Custom Output (ie-C550Lm)	5 - VOLTAGE UNV - Universal (120/277V)	6 - DRIVER DB - Standard 10% Dimming (0-10V) DMX - For Color Tuning and RGBW
7 - FINISH W - Standard White CC - Custom Color (provide RAL#)	8 - MOUNTING AC - Air Craft Cable (adjusts up to 48") SM - Surface Mount	9 - OPTIONS EM 120V - Emergency Pack EM 277V - Emergency Pack FC - Flat Canopy (Remote Driver)			