


DATE	PROJECT	FIRM	TYPE
------	---------	------	------



Suspended, architectural LED halo providing uplight and downlight. Great for lobbies and modern office spaces. Available suspended with cable/canopy up to 48". Custom colors available.

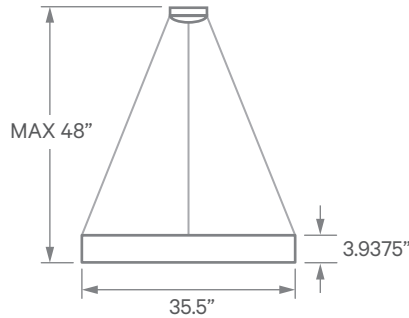
FEATURES

- Custom Colors And Outputs Available
- Damp Location Rated
- CRI 90+ Standard
- 3000K, 3500K & 4000K Color Temperatures Available

APPLICATIONS	Offices, Lobbies, Retail Stores, Reception Areas & Corridors		
CONSTRUCTION	Die Formed & Embossed, Heavy Gauge Rolled Steel Housing. Spun Steel Trim.	OPTICS	Custom Molded Opal Lens
WARRANTY	5 Year Limited Warranty (Covers Standard Components)	FINISH	Standard Powder-Coated White. Custom RAL Colors Available
FIXTURE RATINGS & CERTIFICATIONS	Union Made ETL Listed	Made In The USA Damp Location Rated	

ELECTRICAL Integral Driver With 0-10V 10% Dimming Standard. Driver Remote With "FC" (Flat Canopy) Option

EXTRUSION DIMENSIONS



LED SYSTEM INFORMATION

	Nominal System Watts	Nominal Delivered Lumens	Nominal Efficacy
Standard (LTG1)	36 W	3,320 Lm	91 Lm/W
Low (LTG2)	28 W	2,645 Lm	93 Lm/W
High (LTG3)	45 W	3,965 Lm	89 Lm/W

Based on a 3500K luminaire using one driver. Please consult factory for custom lumen outputs & wattage.

ORDERING	1	2	3	4	5	6	7	8	9
1 - FIXTURE ID	2 - LENGTH	3 - COLOR TEMP	4 - LED SYSTEM	5 - VOLTAGE	6 - DRIVER (Remote)				
LOOP LED	3 - 3 ft	30 - 3000K/90 CRI 35 - 3500K/90 CRI 40 - 4000K/90 CRI TW* - Tunable White RGBW* - RGB + 3000K <small>*Must use DMX Driver (Remote)</small>	LTG1 - Standard LTG2 - Low LTG3 - High C - Custom Output (ie-C550Lm/ft)	UNV - Universal (120/277V)	DB - Standard 10% Dimming (0-10V) DMX - For Color Tuning and RGBW				
7 - FINISH	8 - MOUNTING		9 - CIRCUIT (Optional)						
W - White (Standard) CC - Custom Color (provide RAL#)	AC - Aircraft Cable (adjusts up to 48") SM - Surface Mount		EM 120V - Emergency Pack EM 277V - Emergency Pack FC - Flat Canopy (Remote Driver)						