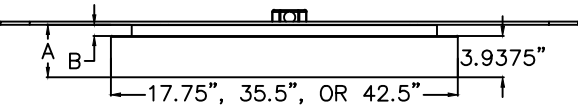


INSTALLATION GUIDE-SURFACE MOUNT TO GYPSUM (SHEETROCK)



Risk of fire and electrical shock. In accordance with national local building and electrical codes, CORONET lighting fixtures must be installed by a qualified electrician. Disconnect power at electrical panel before servicing.

SIDE VIEW



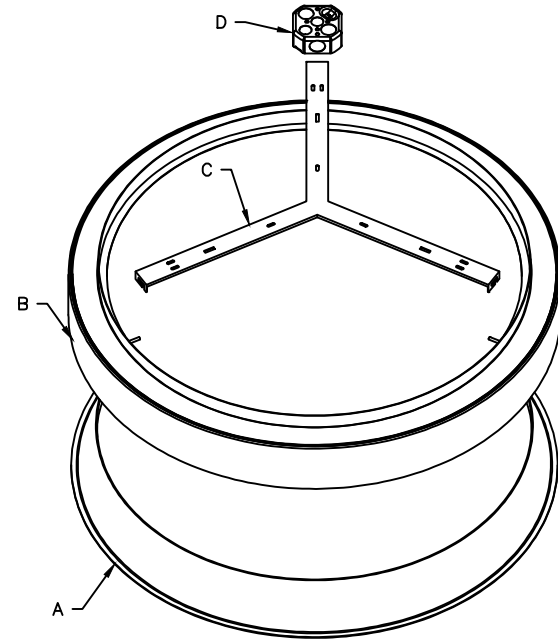
SEE TABLE BELOW FOR "A" & "B" DIMENSIONS.

LOOP SIZE	"A"	"B"
18"	5 5/16"	1 1/16"
3FT	5 5/16"	1 1/16"
4FT	5 7/16"	1 3/16"

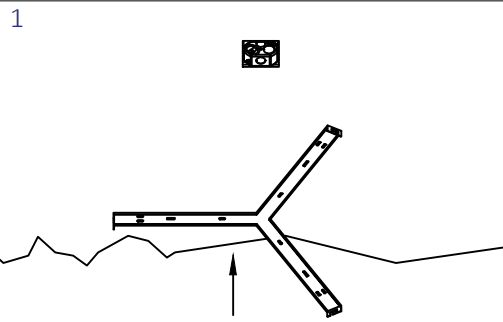
PART LIST

- A-Lens
- B-Housing
- C-Bushing
- D*-Junction Box (By Others)

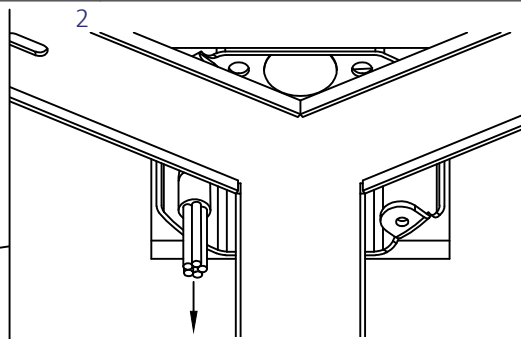
EXPLODED DETAIL



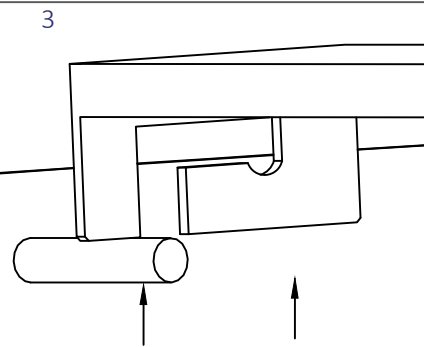
EXPLODED VIEWS ARE TO SHOW DETAIL ONLY, FIXTURES ARE SHIPPED PRE-ASSEMBLED. FOR THE 18" LOOP, THE LED DRIVER IS REMOTE. FOR STEP 2, ANY WIRING DONE TO THE LED DRIVER WILL BE ABOVE THE CEILING.



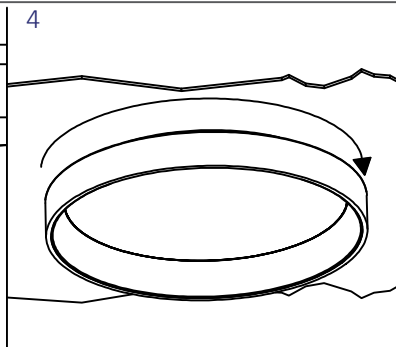
Secure the surface mount bracket to the ceiling. The contractor must determine the correct mounting method for the bracket to the ceiling (hardware by others).



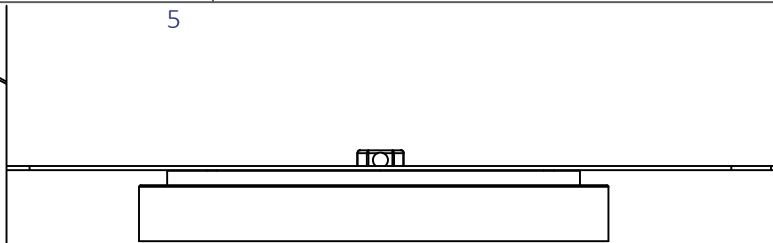
Pull the power cable wire through from the junction box to the LED driver. This is where wiring to the LED driver can be done.



Lift the Loop housing and line up the holes at the top inside of the fixture with the bracket openings.
NOTE: Ceiling not shown for clarity.



Twist the fixture to lock it in place with the surface mount bracket.



Power on the light fixture to make sure it functions properly in all aspects.

GENERAL INSTALLATION CONSIDERATIONS - See submittal drawings for job specific data.

Operating Temperature.....-40°C to 50°C
 Operating Voltage.....110VAC-277VAC, 50Hz-60Hz
 Dimensions.....See submittal drawings

- Installation by a certified electrician only.
- Read and understand the installation instructions before attempting to install or use the fixture.
- Only use fixtures with voltage for which it is rated. Do not exceed the specified voltage and current input.
- Do not use the fixture if the housing, lens, or power cable is damaged.
- Ensure that the main power supply is off before installing or wiring the fixture.
- Method of wire connection to be determined by local electrical codes and regulations.
- The external flexible cable of this luminaire cannot be field replaced; if the cord is damaged, contact Coronet.
- The light source contained in this luminaire shall only be replaced by the lighting manufacturer or his service agent or a similar qualified person.

Please contact our technical support team for assistance.

*NOTE: JUNCTION BOXES MUST BE SOLIDLY FIXED TO THE CEILING AND ATTACHED TO THE STRUCTURAL MEMBER INSIDE THE CEILING BEFORE PROCEEDING WITH INSTALLATION.