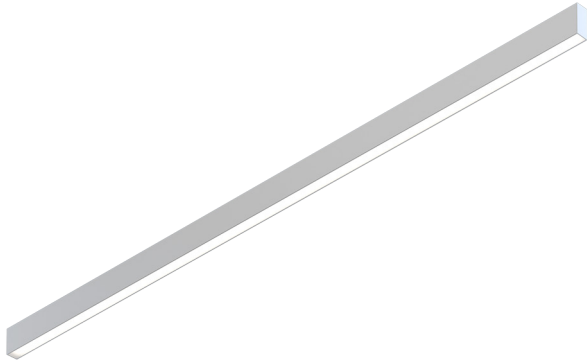


Rush direct

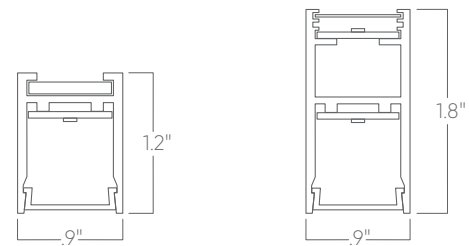


Our linear architectural luminaires offer a wide range of profiles and mounting options. Custom lengths and patterns are tailored to suit any modern space.

Features

- Power over aircraft cable system
- Extruded, recycled aluminum housing
- Aluminum core LED boards, specifiable output
- Specifiable color temperature. CRI > 90, R9 >50
- Custom lengths, welded patterns, and finishes available
- Specifiable dimmable drivers or PoE
- 5 Year, 50,000 hour warranty
- WELL Building Standard compatible [learn more](#)

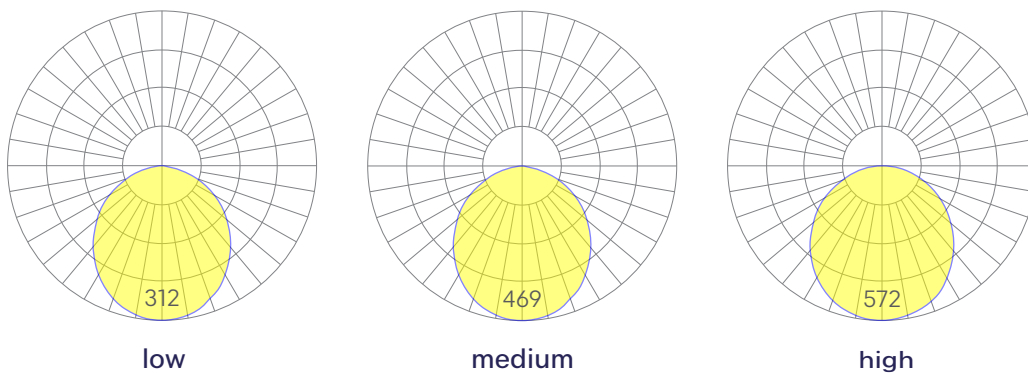
Dimensions



standard

ACP mounting

Optics



Representative distribution and peak candela. For other options see order information or IES files [here](#).

Ordering Information



Example: RUSH DN - 8 - 35 - MED - UNV - DB - W - AC - SD - CCS - DAYCKT - NA

Fixture ID <input type="text" value="1"/>	Length <input type="text" value="2"/>	Color Temperature <input type="text" value="3"/>	Output <input type="text" value="4"/>
RUSH DN	2 2 ft 4 4 ft 8 8 ft X'X" ¹ Specify Length <small>¹Custom lengths available in 1" increments</small>	27 2700K/90 CRI 30 3000K/90 CRI 35 3500K/90 CRI 40 4000K/90 CRI	LOW Low output MED Medium output HIGH High output CUST Custom output ¹ <small>¹consult factory</small>
Voltage <input type="text" value="5"/>	Driver <input type="text" value="6"/>	Finish <input type="text" value="7"/>	Mounting <input type="text" value="8"/>
UNV 347V¹ Universal (120/277V) 347V <small>¹Must use DB Driver</small>	DB Standard 0-10V 1% DB.1% 0-10V 0.1% ELV 2-wire 1% (120V only) TRI Forward phase (120V only) LDE1 Lutron Digital EcoSystem DALI DALI-2 Driver PoE Power over Ethernet. DMX¹ DMX512 <small>¹Set to default address 001. RDM capable. Contact us for other addressing needs.</small> All drivers remote	W White BLK Black CC¹ Custom Color CWF¹ Custom Wood Finish <small>¹Custom Color. See finish options here.</small> <small>White SJ cord and canopy provided; for other requests, see section 12 to specify.</small>	ACP Power Over Aircraft Cable AC Aircraft Cable (50") SM Surface Mount WM Wall Mount PS-X Pendant Stem (12", 18", 24", 36", 48") <small>White stems and canopy provided. Must specify other requests.</small>
Optics <input type="text" value="9"/>	Sensors/Controls <input type="text" value="10"/>	Circuit <input type="text" value="11"/>	Options <input type="text" value="12"/>
SD Standard Diffuser	NA None ACM Acuity nLight Module Only CCS Casambi Module <small>Consult factory for other options.</small>	NA None EM120V Emergency Pack EM277V Emergency Pack EMCKT Emergency Circuit DAYCKT Daylight Circuit	NA None CAN-X¹ Canopy + color SJ-X² SJ Cord + color <small>¹White SJ cord and canopy provided; use above nomenclature for other requests.</small> <small>²See finish options here.</small>

Performance

Output ¹	Watts/ft	Lumens/ft
Low	4	210
Medium	5	315
High	7	400

¹Based on a typically configured 90 CRI, 3500K luminaire using one driver.

Custom outputs available. Please consult factory.
For 4000K multiply by 1.05; for 3000K 0.96; for 2700K, 0.92.

Technical Information



click [here](#) or scan QR code

Wiring diagrams, PoE and sensor details

Modification date: November, 2021



Drivers & Electrical

Remote, dimmable drivers are supplied in enclosures. Our Power Over Wire systems delivers power to the luminaire via the suspension cables, eliminating a separate power feed.

Emergency Back-Up

For fixtures three-feet or longer, a 4W emergency driver may be wired to 4ft sections. 7W, 10W, and 12W drivers are also available. Emergency circuits for use with building generators are also available.

PoE (Power over Ethernet)

Compatible with virtually all PoE systems including Moxel Coresync, Igor, Smartengine, Platformatics, and NuLED SPICEbox. Consult Factory for systems not listed, See [here](#) for more info.

Finishes

All luminaires are finished in high quality polyester powder coating. Our standard color is white. Any RAL color may be specified.

Weight

5 lbs per foot

Optics

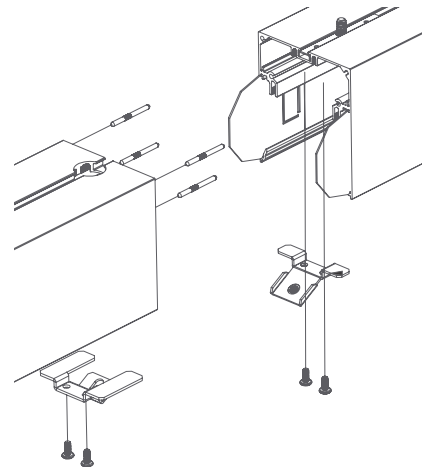
Extruded satin acrylic lenses provide excellent diffusion, high transmission, and no LED imaging. Glare-free, beam-shaping, optical cells are available for some models.

Construction

Housings are extruded premium, recycled aluminum. Individual fixtures are available up to 12' long and may be specified as nominal or precision lengths.

Joined Runs

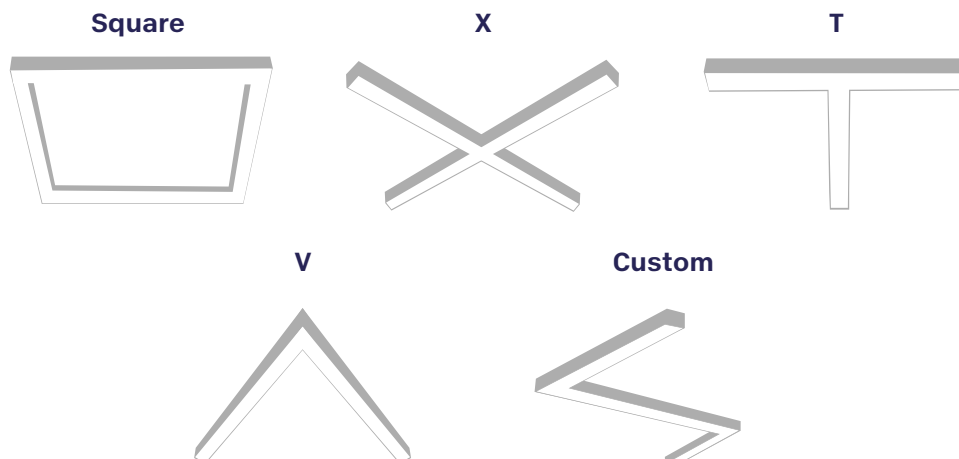
Runs of any length may be specified and are comprised of multiple, factory-engineered, joined sections. Individually specified luminaires are not field joinable.



Representative joinery. For product specific details see installation guides or submittal drawings.

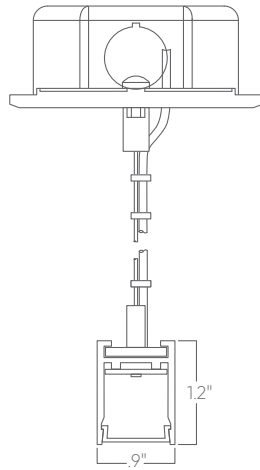
Patterns

Featuring illuminated welded corners and angles. Consult factory for custom designs.

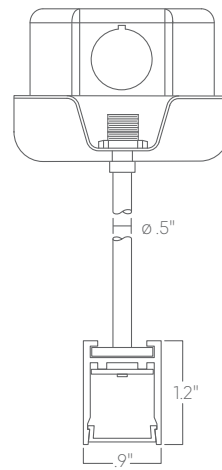


Mounting Options

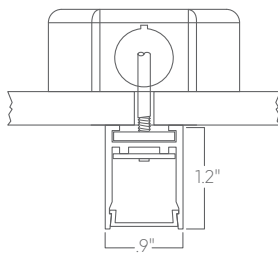
Custom mounting types and ceiling transitions available; consult factory.



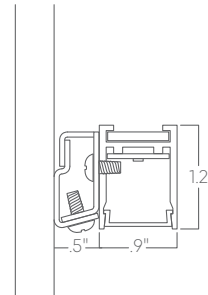
Aircraft cable



Pendant stem



Surface mount



Wall mount