

## INSTALLATION GUIDE-RECESSED



Risk of fire and electrical shock. In accordance with national local building and electrical codes, CORONET lighting fixtures must be installed by a qualified electrician. Disconnect power at electrical panel before servicing.

### PART LIST

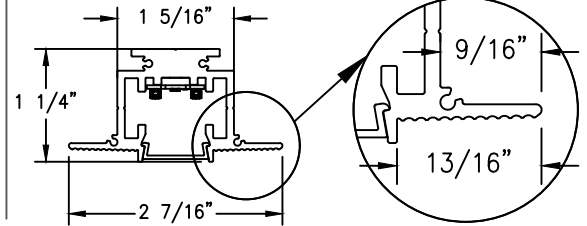
- A-4-40 Screw
- B-End Plate
- C-Extrusion
- D-Optional Support Bracket
- E-Lens
- F-Connection Bracket
- G-8-32 Set Screw
- H-Alignment Pin

### SIDE VIEW

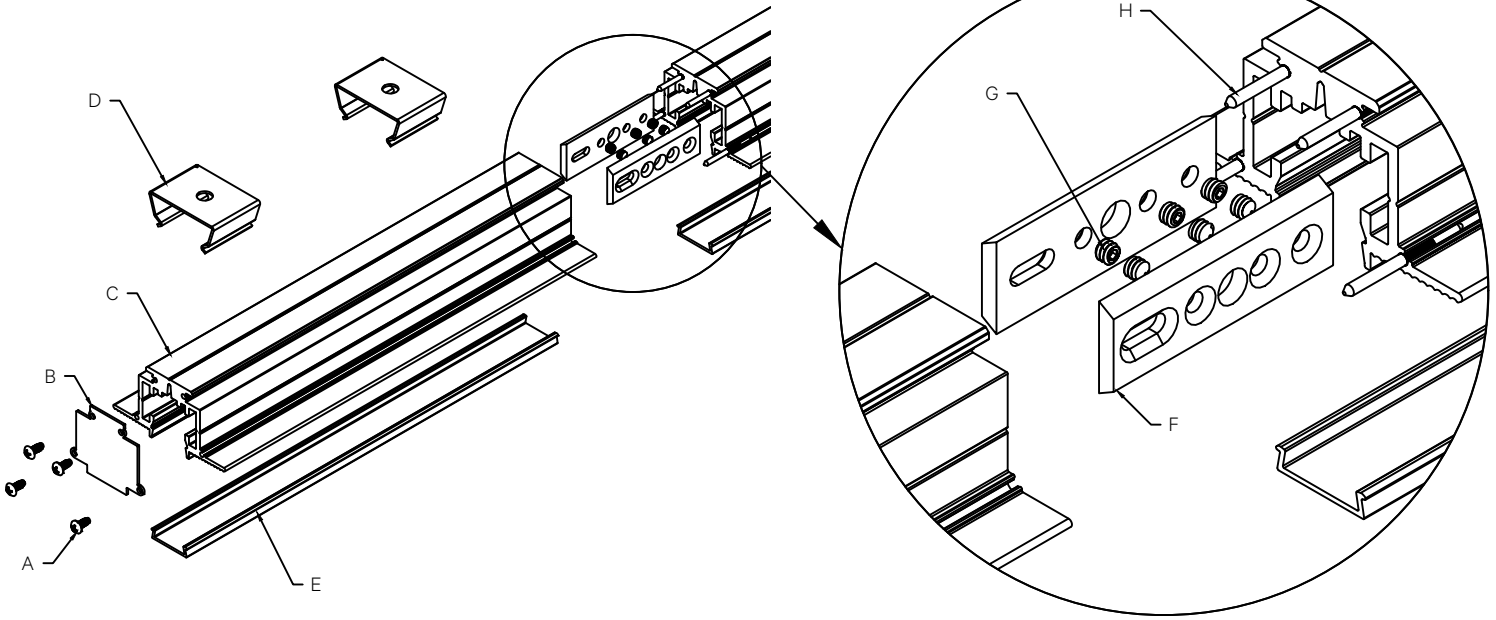


PLEASE CONSULT FACTORY SHOP DRAWINGS FOR CEILING CUT OUT DIMENSIONS

### CROSS SECTION VIEW

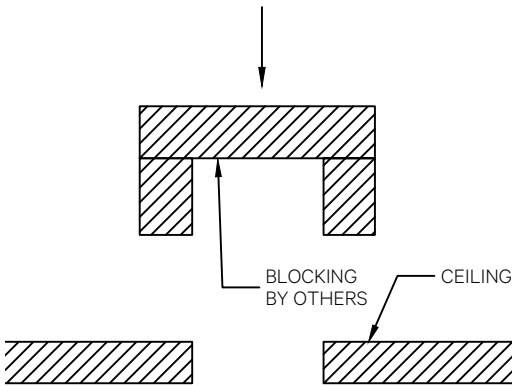


### EXPLODED VIEW



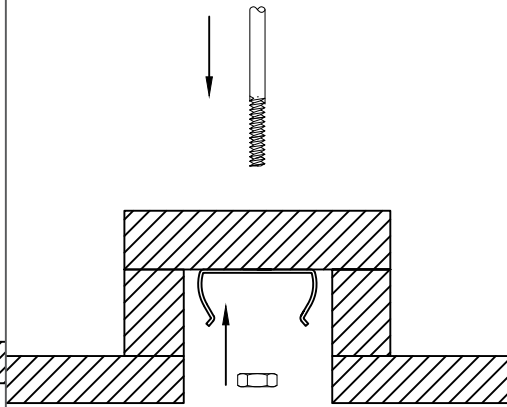
EXPLODED VIEWS ARE TO SHOW DETAIL ONLY, FIXTURES ARE SHIPPED PRE-ASSEMBLED.

### 1 Option 1



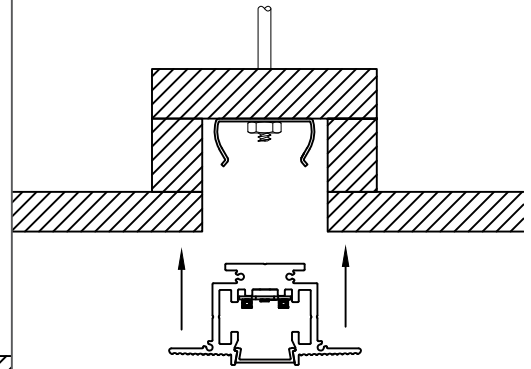
For use of the optional support bracket to mount the fixture, block in the fixture using the ceiling cutout dimensions as a guide. Material/blocking by others.  
Note: Leave a hole for the power feed cable.

### 2



Use a machine screw and nut to secure the support bracket to the frame (hardware by others).

### 3



Raise the fixture upward until it snaps into the support bracket.

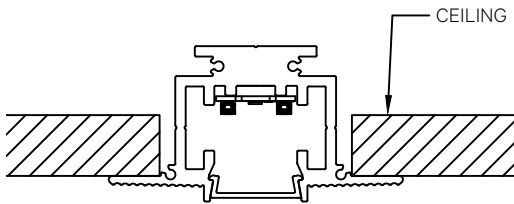
INDIVIDUAL FIXTURES ARE NOT INTENDED FOR CONTINUOUS RUNS.  
ADDITIONAL SUPPORTS TO THE STRUCTURE MAY BE REQUIRED.  
\*CHECK WITH YOUR LOCAL BUILDING CODE FOR THOSE REQUIREMENTS.

## INSTALLATION GUIDE-RECESSED



Risk of fire and electrical shock. In accordance with national local building and electrical codes, CORONET lighting fixtures must be installed by a qualified electrician. Disconnect power at electrical panel before servicing.

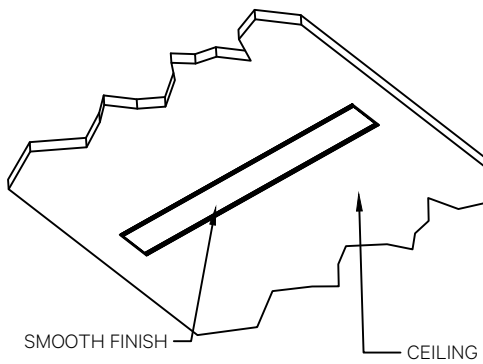
### 4 Option 2



DRYWALL SCREW

Install the fixture by screwing through the flange into the ceiling. After screwing the fixture into the ceiling, anchor the flange of the fixture properly (hardware by others).

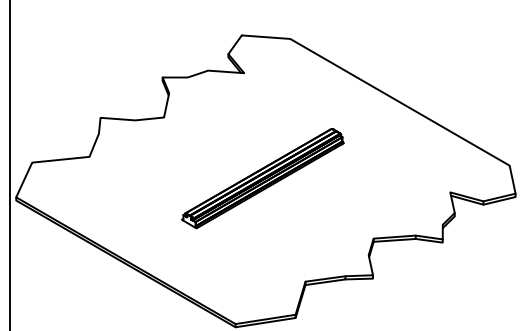
### 5



SMOOTH FINISH

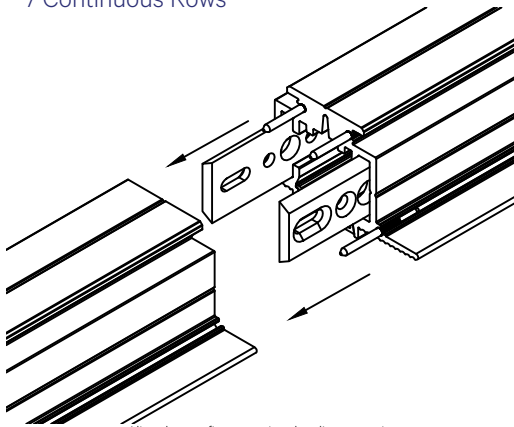
Spackle up to the side of the fixture covering the flange and screws. Sand to create a smooth finish.  
Note: Clean up any sand or plaster inside the fixture.

### 6



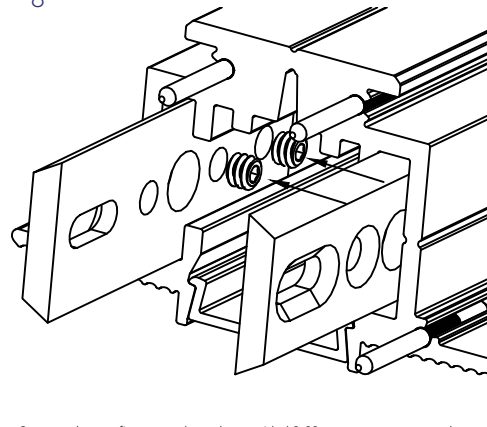
Finish installing the fixture and power it on to make sure everything works properly.

### 7 Continuous Rows



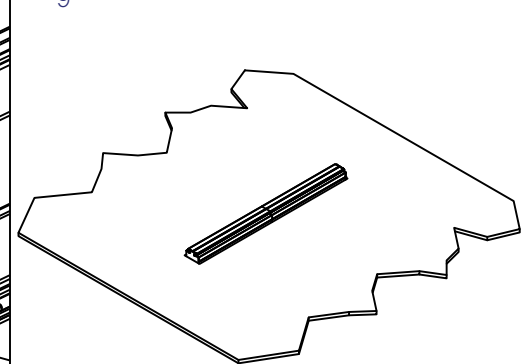
Align the two fixtures using the alignment pins.  
Warning: Keep hands clear of connection.

### 8



Connect the two fixtures and use the provided 8-32 set screws to secure the connecting brackets in place. Lens may need to be removed to access holes for set screw.

### 9



Follow steps 1-6 to install the fixture into the ceiling correctly.

## GENERAL INSTALLATION CONSIDERATIONS - See submittal drawings for job specific data.

Operating Temperature.....-40°C to 50°C  
 Operating Voltage.....110VAC-277VAC, 50Hz-60Hz  
 Weight..... lb/ft  
 Dimensions.....See submittal drawings

- Installation by a certified electrician only.
- Read and understand the installation instructions before attempting to install or use the fixture.
- Only use fixtures with voltage for which it is rated. Do not exceed the specified voltage and current input.
- Do not use the fixture if the housing, lens, or power cable is damaged.
- Ensure that the main power supply is off before installing or wiring the fixture.
- Method of wire connection to be determined by local electrical codes and regulations.
- The external flexible cable of this luminaire cannot be field replaced; if the cord is damaged, contact Coronet.
- The light source contained in this luminaire shall only be replaced by the lighting manufacturer or his service agent or a similar qualified person.

INDIVIDUAL FIXTURES ARE NOT INTENDED FOR CONTINUOUS RUNS.  
 ADDITIONAL SUPPORTS TO THE STRUCTURE MAY BE REQUIRED.  
 \*CHECK WITH YOUR LOCAL BUILDING CODE FOR THOSE REQUIREMENTS.