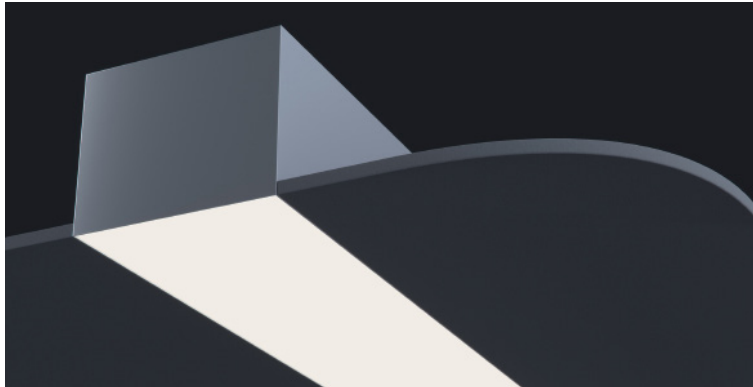




DATE	PROJECT	FIRM	TYPE
------	---------	------	------



Linear, recessed, architectural luminaire with 6" aperture. For use in indoor applications where an LED luminaire providing continuous light is required. Suitable for grid system and drywall installation as well as custom mounting requests.

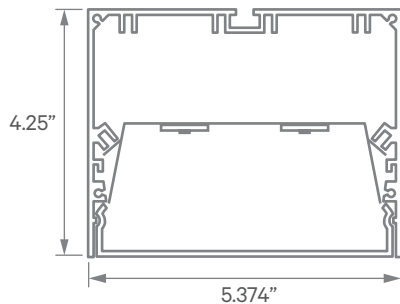
### FEATURES

- Available In Custom Lengths & Long Runs To 1/16" Accuracy
- Corners & Patterns Available (See Page 3)
- Damp Location Rated
- CRI 90+ Standard
- 5 Year, 50,000 Hour Fixture Warranty
- 2700K, 3000K, 3500K, 4000K & 5000K Color Temperatures Available
- Enlighted/Wattstopper Sensors Available

<b>APPLICATIONS</b>	Offices, Lobbies, Retail Stores, Classrooms, Reception Areas & Corridors			
<b>CONSTRUCTION</b>	Extruded Aluminum Housing and Steel End Caps. Formed Steel Gear Tray	<b>OPTICS</b>	Extruded High Transmission Satin Acrylic Lens With No LED Imaging	
<b>WARRANTY</b>	5 Year Limited Warranty (Covers Standard Components)		<b>FINISH</b>	Standard Powder-Coated White
<b>FIXTURE RATINGS &amp; CERTIFICATIONS</b>	Union Made ETL Listed	Made In The USA Damp Location Rated	 	

<b>ELECTRICAL</b>	Integral Driver With 0-10V 10% Dimming Standard. Several Driver Options Available. See Below For Lutron Dimming Information		
	2-Wire Forward Phase; Hi-Lume 1% Dimming, Only Available For 120V		LTEA
	3-Wire EcoSystem; Hi-lume 1% Dimming		L3DA
	Digital EcoSystem; Hi-lume 1% Dimming, 'Soft-on Fade-to-black' (Required for Daylighting)		LDE1
	5 Series EcoSystem; 5% Dimming		LDE5

### EXTRUSION DIMENSIONS



### LED SYSTEM INFORMATION

	Nominal System Watts	Nominal Delivered Lumens	Nominal Efficacy
Standard (LTG1)	11.25 W/ft	875 Lm/ft	78 Lm/W
Low (LTG2)	7.5 W/ft	620 Lm/ft	81 Lm/W
High (LTG3)	13.5 W/ft	1,010 Lm/ft	75 Lm/W

Based on a 3500K luminaire using one driver. Please consult factory for custom lumen outputs & wattage.

<b>ORDERING</b>	1	2	3	4	5	6	7	8	9	10	11
-----------------	---	---	---	---	---	---	---	---	---	----	----

<b>1 - FIXTURE ID</b> LSR6 LED	<b>2 - LENGTH</b> 2 - 2 ft 4 - 4 ft 8 - 8 ft x'-x" - Custom (specify length) **Patterns available, consult factory	<b>3 - COLOR TEMP</b> 27 - 2700K/90 CRI 30 - 3000K/90 CRI 35 - 3500K/90 CRI 40 - 4000K/90 CRI 50 - 5000K/90 CRI TW* - Tunable White RGBW* - RGB + 3000K *Must use DMX Driver (Remote)	<b>4 - LED SYSTEM</b> LTG1 - Standard LTG2 - Low LTG3 - High C - Custom Output (ie-C550Lm/ft)	<b>5 - VOLTAGE</b> UNV - Universal (120/277V)	<b>6 - DRIVER</b> DB - Standard 10% Dimming (0-10V) DB1% - 1% Dimming (0-10V) DB.01% - .01% Dimming (0-10V) LTEA* - Lutron 2-wire 1% Dimming L3DA* - Lutron 3-wire 1% Dimming LDE1* - Lutron Digital EcoSystem LDE5* - 5 Series EcoSystem; 5% Dimming *Refer to 'Electrical' Information Above DMX - For Color Tuning and RGBW
<b>7 - FINISH</b> W - White (Standard)	<b>8 - MOUNTING</b> T - 9/16" Tee Grid T15 - 15/16" Tee Grid TZ - 9/16" Tech Zone SG - Slot Grid/Interlude F - Flange NT - No Trim/Spackle Flange	<b>9 - CONTROL</b> EIS - Integral Sensor by Enlighted WIS - Integral Sensor by Wattstopper	<b>10 - OPTICS</b> SD - Standard Diffuser	<b>11 - OPTIONS</b> WH - Whips CP - Chicago Plenum EM 120V - Emergency Pack EM 277V - Emergency Pack	

DATE

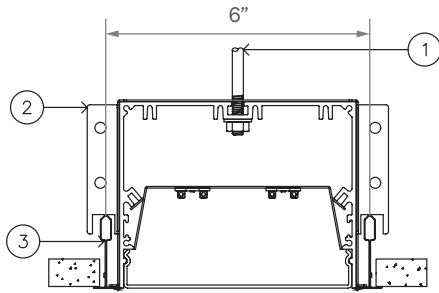
PROJECT

FIRM

TYPE

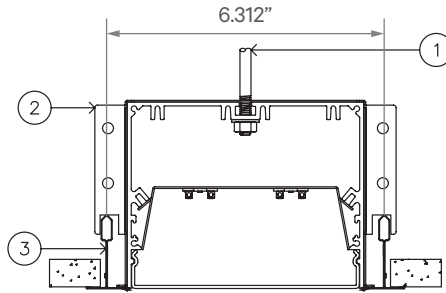
## MOUNTING OPTIONS

T - 9/16" Tee Grid



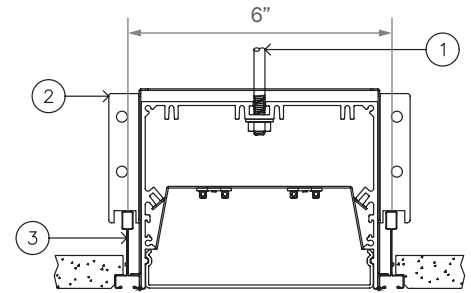
- 1 - Threaded Rod (not supplied)
- 2 - Tee Grid Bracket
- 3 - Tee Grid

T15 - 15/16" Tee Grid



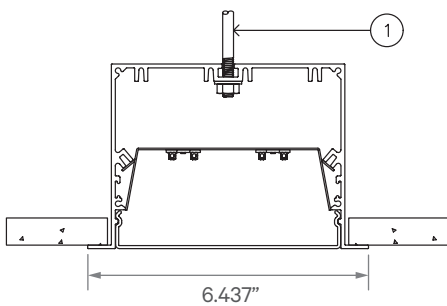
- 1 - Threaded Rod (not supplied)
- 2 - Tee Grid Bracket
- 3 - Tee Grid

SG - Slot Grid



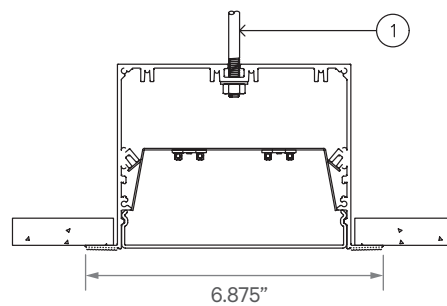
- 1 - Threaded Rod (not supplied)
- 2 - Slot Grid Bracket
- 3 - Slot Grid

F - Flange



- 1 - Threaded Rod (not supplied)

NT - No Trim/Spackle Flange



- 1 - Threaded Rod (not supplied)

DATE

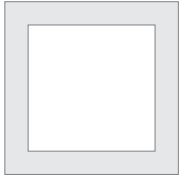
PROJECT

FIRM

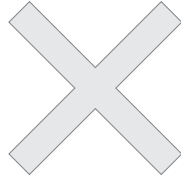
TYPE

## CORNERS & PATTERNS

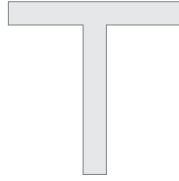
Available with illuminated corners, angles, and custom patterns. **Must consult factory for custom corners and patterns.**



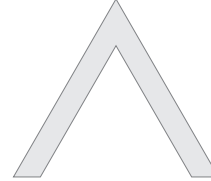
Square Patterns



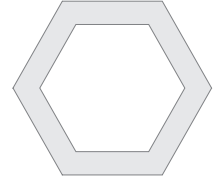
X Patterns



T Patterns



Custom Angles

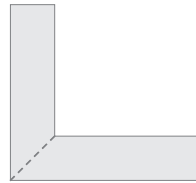


Custom Patterns

## LENS CUT OPTIONS



Straight-cut



Mitered Angle

**NOTE:** Straight-Cut is standard configuration, Mitered Angle is optional and must be specified.

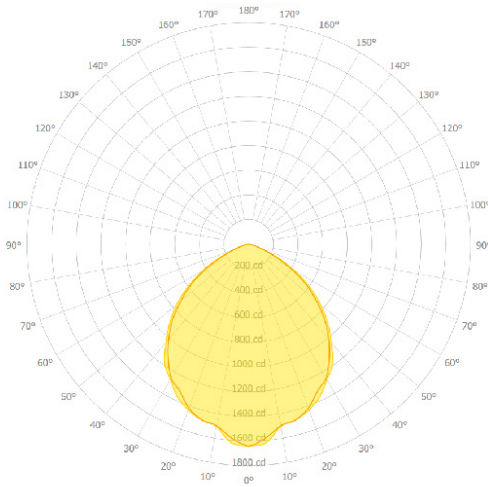
DATE

PROJECT

FIRM

TYPE

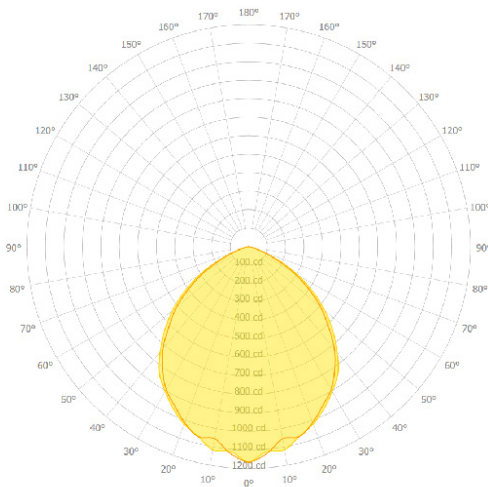
## PHOTOMETRICS



**LSR6 LED 4FT LTG1 3500K**  
**DELIVERED LUMENS: 3,379Lm**  
**TOTAL WATTS: 40W**  
**EFFICACY: 85 Lumens/Watt**

### ZONAL LUMEN SUMMARY

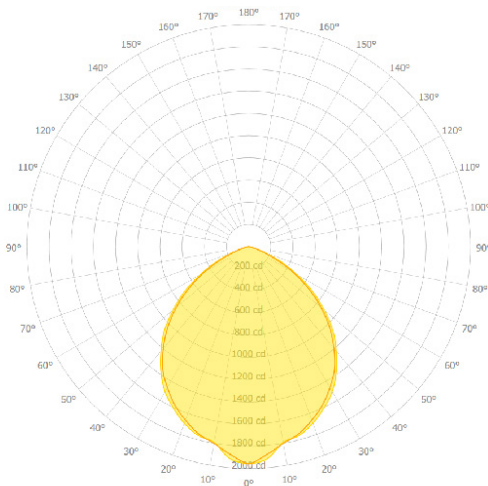
ZONE	LUMENS	% LAMP	% FIXTURE
0.00 - 30.00	1185.31	27.16	35.08
0.00 - 40.00	1898.88	43.50	56.20
0.00 - 60.00	3083.47	70.64	91.25
0.00 - 90.00	3379.04	77.42	100.00
90.00 - 120.00	0.23	0.01	0.01
90.00 - 150.00	0.23	0.01	0.01
90.00 - 180.00	0.23	0.01	0.01
0.00 - 180.00	3379.04	77.42	100.00



**LSR6 LED 4FT LTG2 3500K**  
**DELIVERED LUMENS: 2,343Lm**  
**TOTAL WATTS: 27W**  
**EFFICACY: 87 Lumens/Watt**

### ZONAL LUMEN SUMMARY

ZONE	LUMENS	% LAMP	% FIXTURE
0.00 - 30.00	823.13	27.19	35.13
0.00 - 40.00	1317.75	43.54	56.24
0.00 - 60.00	2138.21	70.64	91.25
0.00 - 90.00	2343.13	77.41	100.00
90.00 - 120.00	0.15	0.00	0.01
90.00 - 150.00	0.15	0.00	0.01
90.00 - 180.00	0.15	0.00	0.01
0.00 - 180.00	2343.13	77.41	100.00



**LSR6 LED 4FT LTG3 3500K**  
**DELIVERED LUMENS: 4,029Lm**  
**TOTAL WATTS: 48W**  
**EFFICACY: 83 Lumens/Watt**

### ZONAL LUMEN SUMMARY

ZONE	LUMENS	% LAMP	% FIXTURE
0.00 - 30.00	1417.14	27.24	35.17
0.00 - 40.00	2268.26	43.60	56.29
0.00 - 60.00	3677.74	70.69	91.28
0.00 - 90.00	4029.26	77.45	100.00
90.00 - 120.00	0.27	0.01	0.01
90.00 - 150.00	0.27	0.01	0.01
90.00 - 180.00	0.27	0.01	0.01
0.00 - 180.00	4029.26	77.45	100.00