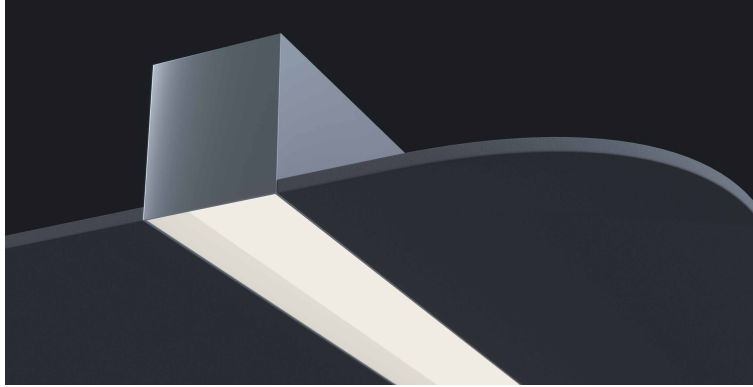


DATE	PROJECT	FIRM	TYPE
------	---------	------	------



Linear, recessed, architectural luminaire with a regressed lens. For use in indoor applications where an LED luminaire with small profile providing continuous light is required. Suitable for grid system and drywall installation as well as custom mounting requests.

FEATURES

- Available In Custom Lengths & Long Runs To 1/16" Accuracy
- Corners & Patterns Available (See Page 3)
- Optional Wall Wash Reflector
- Damp Location Rated
- CRI 90+ Standard
- 5 Year, 50,000 Hour Fixture Warranty
- 2700K, 3000K, 3500K, 4000K & 5000K Color Temperatures Available
- Enlighted/Wattstopper Sensors Available

APPLICATIONS Offices, Lobbies, Retail Stores, Classrooms, Reception Areas & Corridors

CONSTRUCTION Extruded Aluminum Housing and Steel End Caps With 1" Regressed Lens. Formed Steel Gear Tray

OPTICS Extruded High Transmission Satin Acrylic, Semi-Recessed Lens With No LED Imaging

WARRANTY 5 Year Limited Warranty (Covers Standard Components)

FINISH Standard Powder-Coated White

FIXTURE RATINGS & CERTIFICATIONS Union Made ETL Listed Made In The USA Damp Location Rated



ELECTRICAL Integral Driver With 0-10V 10% Dimming Standard. Several Driver Options Available. See Below For Lutron Dimming Information

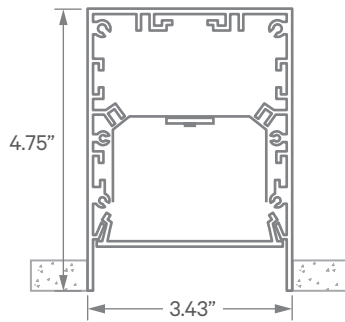
2-Wire Forward Phase; Hi-Lume 1% Dimming, Only Available For 120V LTEA

3-Wire EcoSystem; Hi-lume 1% Dimming L3DA

Digital EcoSystem; Hi-lume 1% Dimming, 'Soft-on Fade-to-black' (Required for Daylighting) LDE1

5 Series EcoSystem; 5% Dimming LDE5

EXTRUSION DIMENSIONS



LED SYSTEM INFORMATION

	Nominal System Watts	Nominal Delivered Lumens	Nominal Efficacy
Standard (LTG1)	7.25 W/ft	625 Lm/ft	86 Lm/W
Low (LTG2)	5 W/ft	430 Lm/ft	86 Lm/W
High (LTG3)	8.75 W/ft	715 Lm/ft	81 Lm/W

Based on a 3500K luminaire using one driver. Please consult factory for custom lumen outputs & wattage.

ORDERING	1	2	3	4	5	6	7	8	9	10	11
-----------------	---	---	---	---	---	---	---	---	---	----	----

1 - FIXTURE ID LSR4 LED RG	2 - LENGTH 2 - 2 ft 4 - 4 ft 8 - 8 ft x'-x" - Custom (specify length) **Patterns available, consult factory	3 - COLOR TEMP 27 - 2700K/90 CRI 30 - 3000K/90 CRI 35 - 3500K/90 CRI 40 - 4000K/90 CRI 50 - 5000K/90 CRI TW* - Tunable White RGBW* - RGB + 3000K *Must use DMX Driver (Remote)	4 - LED SYSTEM LTG1 - Standard LTG2 - Low LTG3 - High C - Custom Output (ie-C550Lm/ft)	5 - VOLTAGE UNV - Universal (120/277V)	6 - DRIVER DB - Standard 10% Dimming (0-10V) DB1% - 1% Dimming (0-10V) DB.01% - .01% Dimming (0-10V) LTEA* - Lutron 2-wire 1% Dimming L3DA* - Lutron 3-wire 1% Dimming LDE1* - Lutron Digital EcoSystem LDE5* - 5 Series EcoSystem; 5% Dimming *Refer to 'Electrical' Information Above DMX - For Color Tuning and RGBW
7 - FINISH W - White (Standard)	8 - MOUNTING T - 9/16" Tee Grid TZ - 9/16" Tech Zone T15 - 15/16" Tee Grid SG - Slot Grid/Interlude F - Flange NT - No Trim/Spackle Flange	9 - CONTROL EIS - Integral Sensor by Enlighted WIS - Integral Sensor by Wattstopper	10 - OPTICS SD - Standard Diffuser	11 - OPTIONS WH - Whips CP - Chicago Plenum EM 120V - Emergency Pack EM 277V - Emergency Pack	

DATE

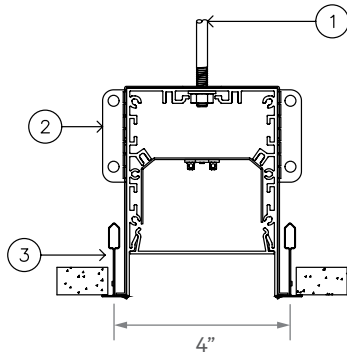
PROJECT

FIRM

TYPE

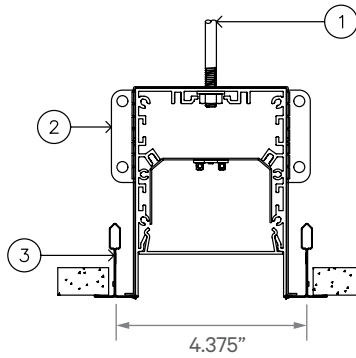
MOUNTING OPTIONS

T/TZ - 9/16" Tee Grid/Tech Zone



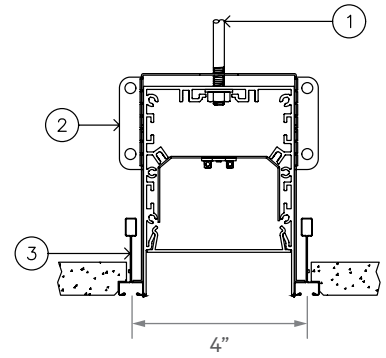
- 1 - Threaded Rod (not supplied)
- 2 - Tee Grid Bracket
- 3 - Tee Grid

T15 - 15/16" Tee Grid



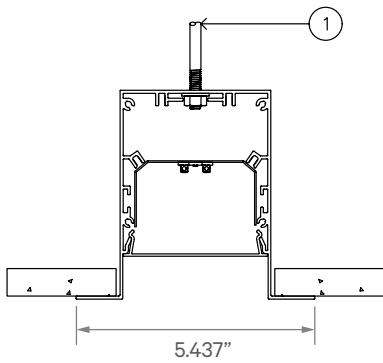
- 1 - Threaded Rod (not supplied)
- 2 - Tee Grid Bracket
- 3 - Tee Grid

SG - Slot Grid/Interlude



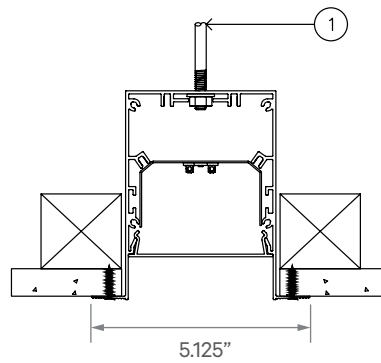
- 1 - Threaded Rod (not supplied)
- 2 - Slot Grid Bracket
- 3 - Slot Grid

F - Flange



- 1 - Threaded Rod (not supplied)

NT - No Trim/Spackle Flange



- 1 - Threaded Rod (not supplied)

DATE

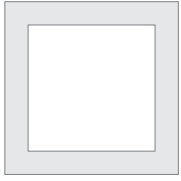
PROJECT

FIRM

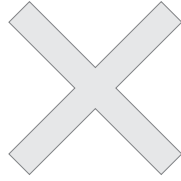
TYPE

CORNERS & PATTERNS

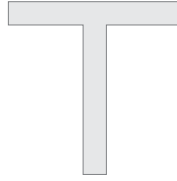
Available with illuminated corners, angles, and custom patterns. **Must consult factory for custom corners and patterns.**



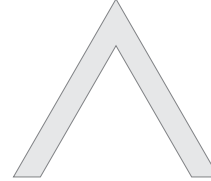
Square Patterns



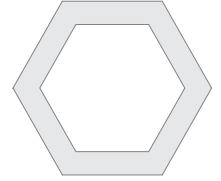
X Patterns



T Patterns

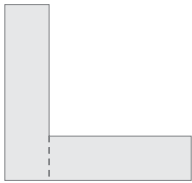


Custom Angles

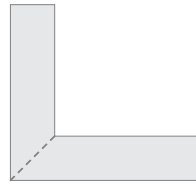


Custom Patterns

LENS CUT OPTIONS



Straight-cut



Mitered Angle

NOTE: Straight-Cut is standard configuration, Mitered Angle is optional and must be specified.

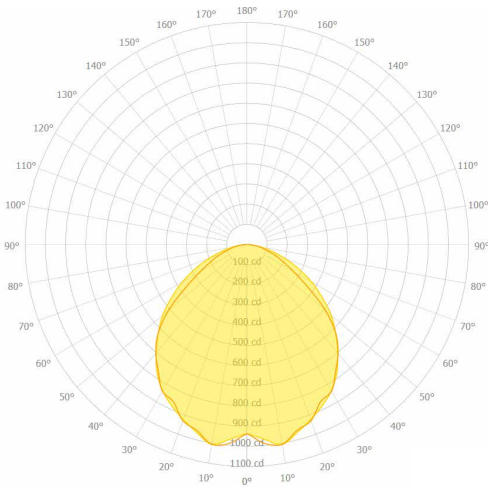
DATE

PROJECT

FIRM

TYPE

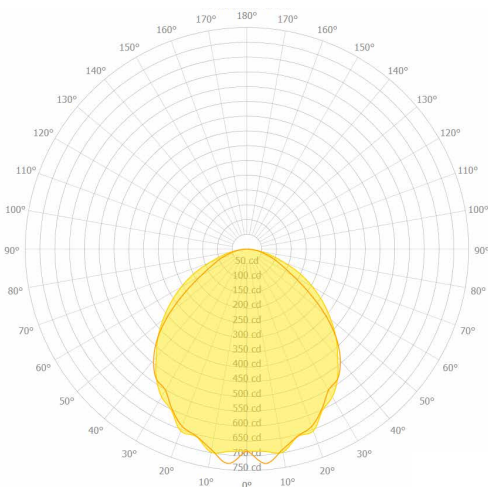
PHOTOMETRICS



LSR4 LED RG 4FT LTG1 3500K
 DELIVERED LUMENS: 2,497Lm
 TOTAL WATTS: 29W
 EFFICACY: 86 Lumens/Watt

ZONAL LUMEN SUMMARY

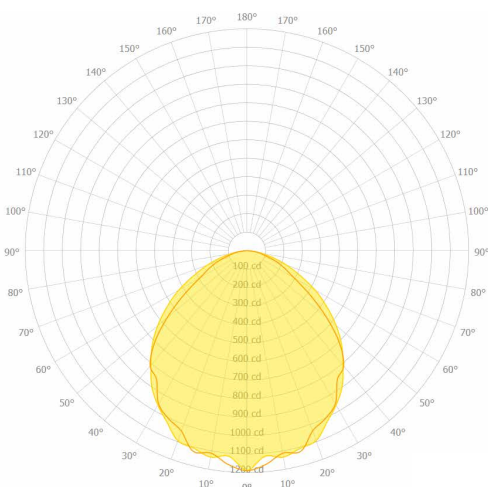
ZONE	LUMENS	% LAMP	% FIXTURE
0.00 - 30.00	771.71	20.32	30.90
0.00 - 40.00	1246.03	32.80	49.90
0.00 - 60.00	2110.13	55.55	84.50
0.00 - 90.00	2497.30	65.74	100.00
90.00 - 120.00	0.56	0.01	0.02
90.00 - 150.00	0.56	0.01	0.02
90.00 - 180.00	0.56	0.01	0.02
0.00 - 180.00	2497.30	65.74	100.00



LSR4 LED RG 4FT LTG2 3500K
 DELIVERED LUMENS: 1,715Lm
 TOTAL WATTS: 20W
 EFFICACY: 86 Lumens/Watt

ZONAL LUMEN SUMMARY

ZONE	LUMENS	% LAMP	% FIXTURE
0.00 - 30.00	531.68	20.36	30.99
0.00 - 40.00	858.12	32.85	50.02
0.00 - 60.00	1449.93	55.51	84.51
0.00 - 90.00	1715.71	65.69	100.00
90.00 - 120.00	0.36	0.01	0.02
90.00 - 150.00	0.36	0.01	0.02
90.00 - 180.00	0.36	0.01	0.02
0.00 - 180.00	1715.71	65.69	100.00



LSR4 LED RG 4FT LTG3 3500K
 DELIVERED LUMENS: 2,861Lm
 TOTAL WATTS: 35W
 EFFICACY: 81 Lumens/Watt

ZONAL LUMEN SUMMARY

ZONE	LUMENS	% LAMP	% FIXTURE
0.00 - 30.00	885.74	20.35	30.95
0.00 - 40.00	1430.00	32.85	49.97
0.00 - 60.00	2418.21	55.55	84.50
0.00 - 90.00	2861.74	65.74	100.00
90.00 - 120.00	0.64	0.01	0.02
90.00 - 150.00	0.64	0.01	0.02
90.00 - 180.00	0.64	0.01	0.02
0.00 - 180.00	2861.74	65.74	100.00