

DATE

JOB NAME

TYPE

Features	Applications
<ul style="list-style-type: none"> • Dual opal ribbed polycarbonate lamp shields • Maximum efficiency • Shallow design • Uses T5 or T5HO lamps, or dimmable LED modules 	<ul style="list-style-type: none"> • Hospitals & Clinics • Medical Offices & Labs • Office Areas • Retail Stores • Class Rooms

Series	Size	Lamps	Watts	Voltage		Options
LSR2	4FT (46.625") 6FT (Nominal) 8FT (Nominal) XFT (Custom Runs Available)	1	T5 T5HO	120 277 UNV	F-Flange NT-No Trim (spackle flange) T- Tee Grid* SG- Slot Grid**	EM-EM Pack DB- Dimming Ballast W-Whip CC- Custom Color

Ordering Example: LSR2-4FT-1-T5HO-T-UNV-DB

*Standard Tee is 9/16". Must specify if 15/16"
 **Fixture depth different for SG option; see page 2

Details

Application Features: Premium grade, recessed, modular architectural luminaire. For use in indoor applications where a T5 ,T5Ho or LED luminaire with small profile providing continuous light is required. Available as individual fixtures or with end and intermediate units for mounting in continuous rows. removing endplates allow for diagonally overlapping lamps providing uniform light without socket shadows.

Construction: Extruded aluminum housing. Sufficient knock-outs provided for connections and through wiring.

Finish: White powder coated finish.

Electrical: Integral Driver.

Approvals: UL Listed for damp location.

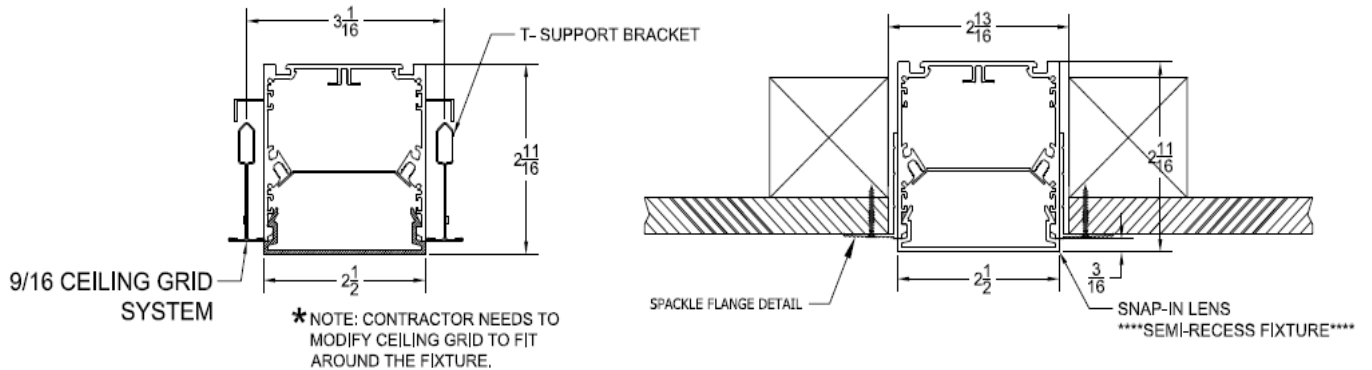
Mounting: Flange for sheetrock and grid ceiling installation or No Trim for spackle flange.

Optics: Satin Acrylic Snap-in Lens.

Options: Emergency Battery Backup, Dimming Ballast, 6' Whips.

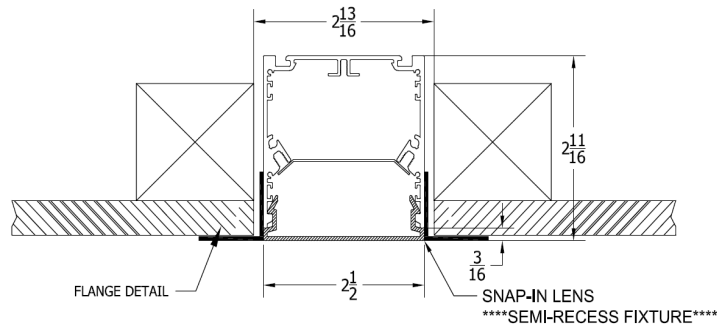
MOUNTING DETAIL

NOTE: FIXTURE IS NOT FLUSH WITH CEILING. LENS SITS BELOW THE CEILING AS SHOWN:



TEE-GRID

NT (SPACKLE FLANGE)



F (FLANGE)