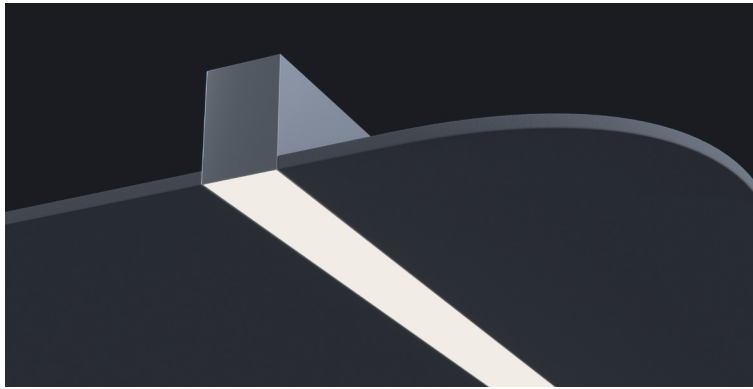


DATE _____ PROJECT _____ FIRM _____ TYPE _____



FEATURES

- Available In Made To Measure Lengths Accurate Up To 1/16"
- Patterns Available (See Page 3)
- Damp Location Rated
- CRI 90+ Standard; R9>50
- 5 Year, 50,000 Hour Fixture Warranty
- 2700K, 3000K, 3500K, 4000K & 5000K Color Temperatures Available
- Available with PoE- [See More](#)

APPLICATIONS Offices, Lobbies, Retail Stores, Classrooms, Reception Areas, & Corridors

FINISH Standard Powder-Coated White. Custom RAL Colors Available

CONSTRUCTION Extruded Aluminum Housing with Steel End Caps. Formed Steel Gear Tray

OPTICS Extruded High Transmission Satin Acrylic Lens with No LED Imaging. Additional Optics Available

FIXTURE RATINGS & CERTIFICATIONS Union Made ETL Listed Made In The USA Damp Location Rated



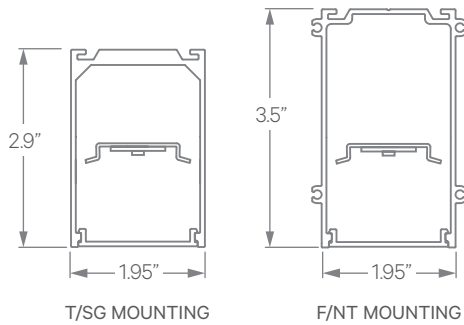
DRIVERS, SENSORS, & POE

For Wiring Diagrams, POE, and Sensor Information Click [Here](#)



ELECTRICAL Integral Driver with 0-10V Dimming Standard. Several Driver Options Available

EXTRUSION DIMENSIONS



LED SYSTEM INFORMATION

	Nominal System Watts	Nominal Delivered Lumens	Nominal Efficacy
Standard (LTG1)	7.25 W/ft	475 lm/ft	80 LPW
Low (LTG2)	5 W/ft	355 lm/ft	82 LPW
High (LTG3)	10 W/ft	641 lm/ft	77 LPW

Based on a 3500K luminaire using one driver. Custom outputs available; specify below.

ORDERING



1 - FIXTURE ID

LSR1 LED

2 - LENGTH

- 2 - 2 ft
- 4 - 4 ft
- 8 - 8 ft
- 12 - 12 ft

3 - COLOR TEMP

- 27 - 2700K/90 CRI
 - 30 - 3000K/90 CRI
 - 35 - 3500K/90 CRI
 - 40 - 4000K/90 CRI
 - 50 - 5000K/90 CRI
 - WD* - Warm Dim 2200K-3000K
 - TW** - Tunable White 2700K-6500K
 - RGBW30*** - RGB + 3000K
 - RGBW35*** - RGB + 3500K
- *Requires WD10 Driver
**Requires DMX or TW10 Driver
***Requires DMX Driver

4 - LED SYSTEM

- LTG1 - Standard
- LTG2 - Low
- LTG3 - High
- LTGC - Custom Output

5 - VOLTAGE

- UNV - Universal (120/277V)
 - 347V* - 347V
- *Must use DB Driver

6 - DRIVER

- DB - Standard 1% Dimming (0-10V)
- DB.1% - 0.1% Dimming (0-10V)
- ELV-TRI - 2-wire 1% Dimming (120V only) ELV and TRIAC Compatible
- LDE1 - Lutron Digital EcoSystem
- LDE5 - 5 Series EcoSystem; 5% Dimming
- DALI - DALI-2 Driver
- PoE - Power over Ethernet. Consult Factory for Compatibility
- DMX - For Color Tuning and RGBW (Remote)
- TW10 - Dual Channel, 0-10V For Color Tuning (CCT and Intensity Control)
- WD10 - 0-10V Driver For Warm Dimming

7 - FINISH

- W - White (Standard)
- CC - Custom Color (provide RAL#)

8 - MOUNTING

- T - 9/16" Tee Grid
- T15 - 15/16" Tee Grid
- SG - Slot Grid/Interlude
- F - Flange
- NT - Mud-in Flange
- PM-X* - Perimeter Mount

*X denotes mounting type on opposite side of wall (ie-PM-NT). Consult Factory

9 - OPTICS

- SD - Standard Diffuser

10 - CIRCUIT (Optional)

- EM 120V - Emergency Pack
- EM 277V - Emergency Pack

11 - OTHER OPTIONS

- WH6 - 6ft Whips Preinstalled
- CP - Chicago Plenum

DATE

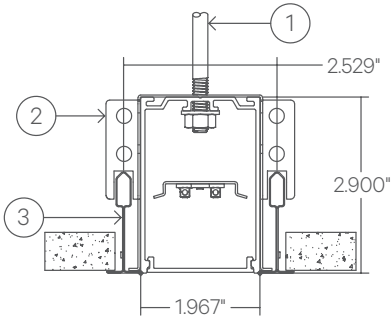
PROJECT

FIRM

TYPE

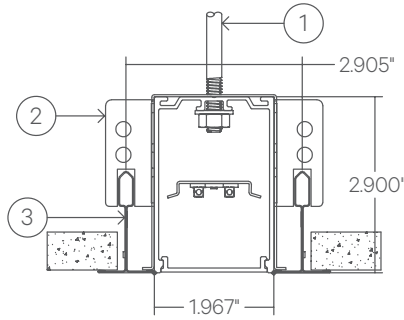
MOUNTING OPTIONS

T - 9/16" Tee Grid



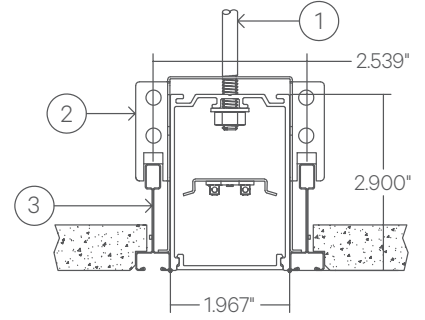
- 1 - Threaded Rod (not supplied)
- 2 - Tee Grid Bracket
- 3 - Tee Grid

T15 - 15/16" Tee Grid



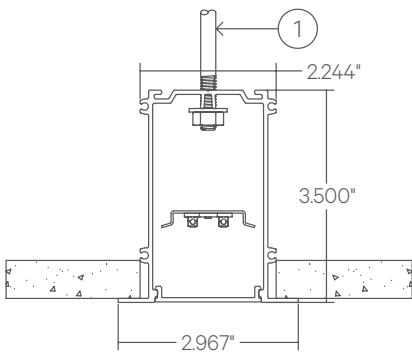
- 1 - Threaded Rod (not supplied)
- 2 - Tee Grid Bracket
- 3 - Tee Grid

SG - Slot Grid/Interlude



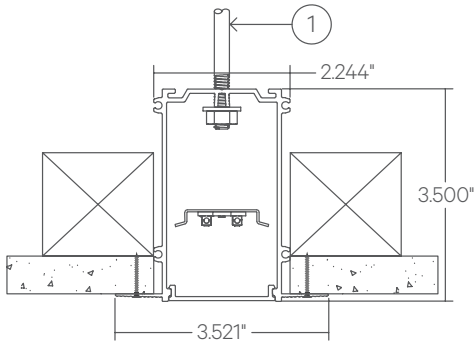
- 1 - Threaded Rod (not supplied)
- 2 - Slot Grid Bracket
- 3 - Slot Grid

F - Flange



- 1 - 1/4-20 Threaded Rod (not supplied)

NT - No Trim/Spackle Flange



- 1 - 1/4-20 Threaded Rod (not supplied)

DATE

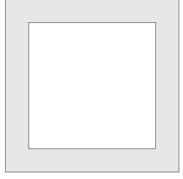
PROJECT

FIRM

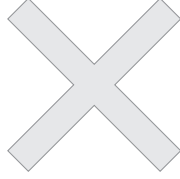
TYPE

PATTERNS

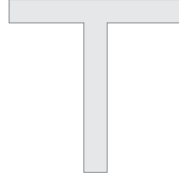
Patterns feature illuminated corners and angles. **Must consult factory for custom corners and patterns.**



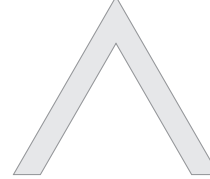
Square Patterns



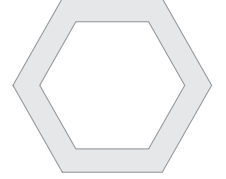
X Patterns



T Patterns

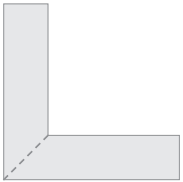


Custom Angles



Custom Patterns

LENS CUT



Mitered