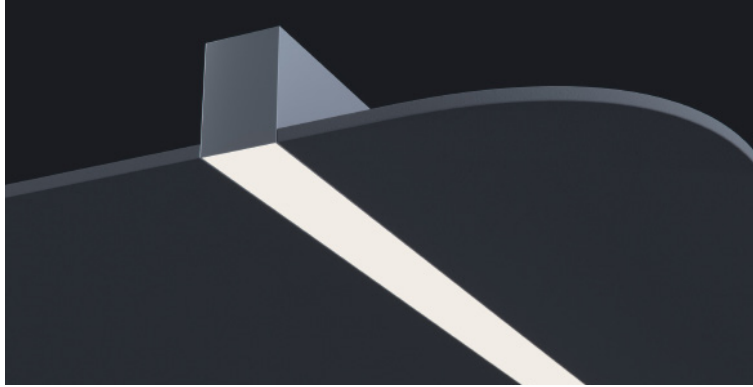




DATE	PROJECT	FIRM	TYPE
------	---------	------	------



Narrow, recessed, architectural luminaire. For use in indoor applications where an LED luminaire with small profile providing continuous light is required. Suitable for grid systems and drywall installation as well as custom mounting requests.

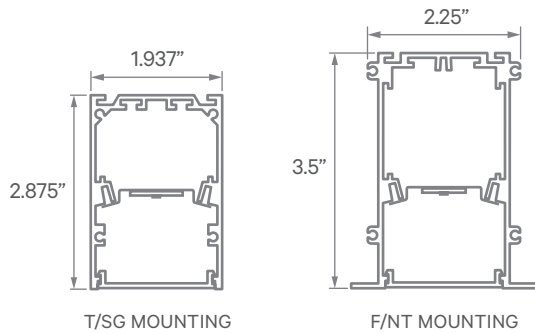
FEATURES

- Available In Custom Lengths & Long Runs To 1/16" Accuracy
- Corners & Patterns Available (See Page 3)
- Damp Location Rated
- CRI 90+ Standard
- 5 Year, 50,000 Hour Fixture Warranty
- 2700K, 3000K, 3500K, 4000K & 5000K Color Temperatures Available
- Enlighted/Wattstopper Sensors Available

APPLICATIONS	Offices, Lobbies, Retail Stores, Classrooms, Reception Areas & Corridors			
CONSTRUCTION	Extruded Aluminum Housing and Steel End Caps. Formed Aluminum Gear Tray	OPTICS	Extruded High Transmission Satin Acrylic Lens With No LED Imaging	
WARRANTY	5 Year Limited Warranty (Covers Standard Components)		FINISH	Standard Powder-Coated White
FIXTURE RATINGS & CERTIFICATIONS	Union Made ETL Listed	Made In The USA Damp Location Rated	 	

ELECTRICAL	Integral Driver With 0-10V 10% Dimming Standard. Several Driver Options Available. See Below For Lutron Dimming Information		
	2-Wire Forward Phase; Hi-Lume 1% Dimming, Only Available For 120V	LTEA
	3-Wire EcoSystem; Hi-lume 1% Dimming	L3DA
	Digital EcoSystem; Hi-lume 1% Dimming, 'Soft-on Fade-to-black' (Required for Daylighting)	LDE1
	5 Series EcoSystem; 5% Dimming	LDE5

EXTRUSION DIMENSIONS



LED SYSTEM INFORMATION

	Nominal System Watts	Nominal Delivered Lumens	Nominal Efficacy
Standard (LTG1)	7.25 W/ft	683 Lm/ft	94 Lm/W
Low (LTG2)	5 W/ft	470 Lm/ft	94 Lm/W
High (LTG3)	8.75 W/ft	783 Lm/ft	90 Lm/W

Based on a 3500K luminaire using one driver. Please consult factory for custom lumen outputs & wattage.

ORDERING	1	2	3	4	5	6	7	8	9	10	11
-----------------	---	---	---	---	---	---	---	---	---	----	----

1 - FIXTURE ID LSR1 LED	2 - LENGTH 2 - 2 ft 4 - 4 ft 8 - 8 ft x'-x" - Custom (specify length) **Patterns available, consult factory	3 - COLOR TEMP 27 - 2700K/90 CRI 30 - 3000K/90 CRI 35 - 3500K/90 CRI 40 - 4000K/90 CRI 50 - 5000K/90 CRI TW* - Tunable White RGBW* - RGB + 3000K *Must use DMX Driver (Remote)	4 - LED SYSTEM LTG1 - Standard LTG2 - Low LTG3 - High C - Custom Output (ie-C550Lm/ft)	5 - VOLTAGE UNV - Universal (120/277V)	6 - DRIVER DB - Standard 10% Dimming (0-10V) DB1% - 1% Dimming (0-10V) DB.01% - .01% Dimming (0-10V) LTEA* - Lutron 2-wire 1% Dimming L3DA* - Lutron 3-wire 1% Dimming LDE1* - Lutron Digital EcoSystem LDE5* - 5 Series EcoSystem; 5% Dimming *Refer to 'Electrical' Information Above DMX - For Color Tuning and RGBW
7 - FINISH W - White (Standard)	8 - MOUNTING T - 9/16" Tee Grid T15 - 15/16" Tee Grid SG - Slot Grid/Interlude F - Flange NT - No Trim/Spackle Flange	9 - CONTROL EIS - Integral Sensor by Enlighted WIS - Integral Sensor by Wattstopper	10 - OPTICS SD - Standard Diffuser ASYM - Asymmetric Optic BW - Batwing	11 - OPTIONS WH - Whips CP - Chicago Plenum EM 120V - Emergency Pack EM 277V - Emergency Pack	

DATE

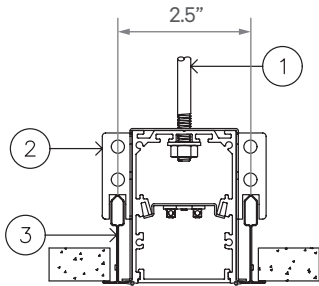
PROJECT

FIRM

TYPE

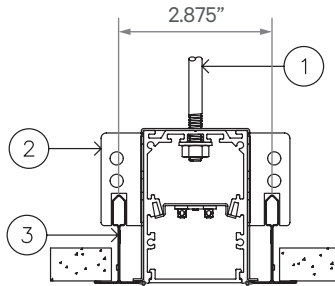
MOUNTING OPTIONS

T - 9/16" Tee Grid



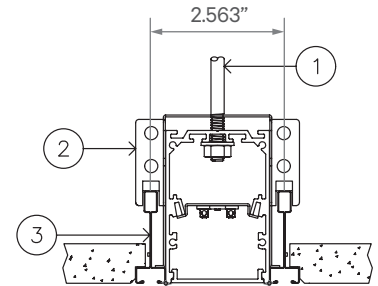
- 1 - Threaded Rod (not supplied)
- 2 - Tee Grid Bracket
- 3 - Tee Grid

T15 - 15/16" Tee Grid



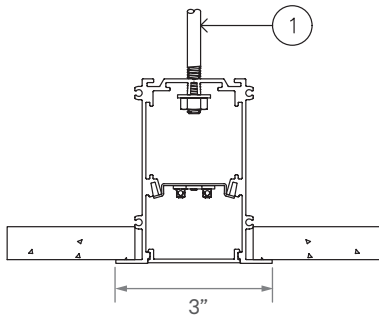
- 1 - Threaded Rod (not supplied)
- 2 - Tee Grid Bracket
- 3 - Tee Grid

SG - Slot Grid/Interlude



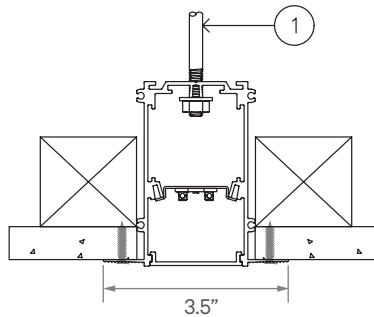
- 1 - Threaded Rod (not supplied)
- 2 - Slot Grid Bracket
- 3 - Slot Grid

F - Flange



- 1 - 1/4-20 Threaded Rod Optional

NT - No Trim/Spackle Flange



- 1 - 1/4-20 Threaded Rod Optional

DATE

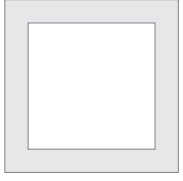
PROJECT

FIRM

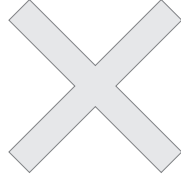
TYPE

CORNERS & PATTERNS

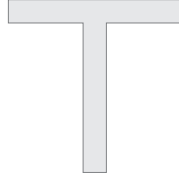
Available with illuminated corners, angles, and custom patterns. **Must consult factory for custom corners and patterns.**



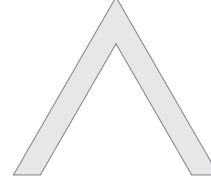
Square Patterns



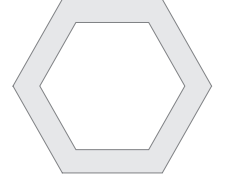
X Patterns



T Patterns



Custom Angles

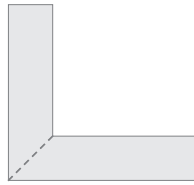


Custom Patterns

LENS CUT OPTIONS



Straight-cut



Mitered Angle

NOTE: Straight-Cut is standard configuration, Mitered Angle is optional and must be specified.

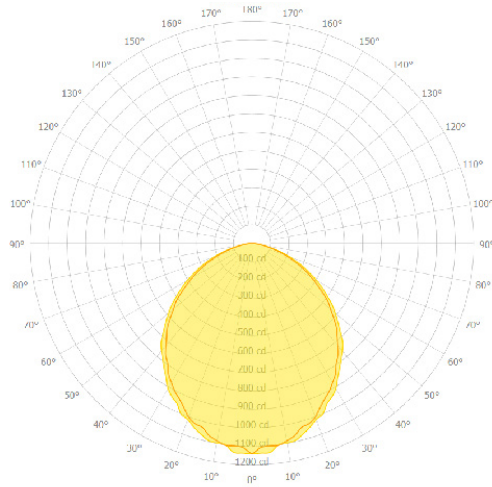
DATE

PROJECT

FIRM

TYPE

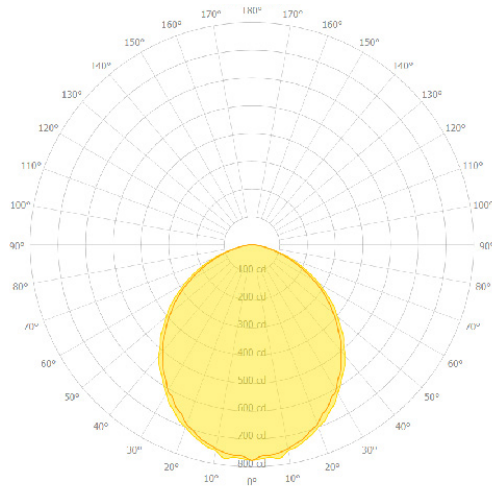
PHOTOMETRICS



LSR1 LED 4FT LTG1 3500K
DELIVERED LUMENS: 2,733Lm
TOTAL WATTS: 29W
EFFICACY: 94 Lumens/Watt

ZONAL LUMEN SUMMARY

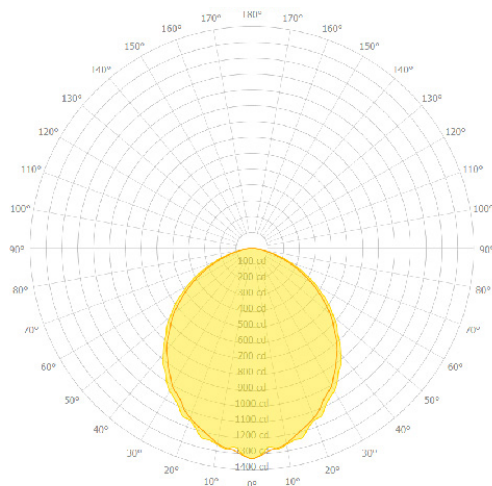
ZONE	LUMENS	% LAMP	% FIXTURE
0.00 - 30.00	838.12	22.06	30.66
0.00 - 40.00	1346.95	35.46	49.27
0.00 - 60.00	2281.95	60.07	83.48
0.00 - 90.00	2733.54	71.96	100.00
90.00 - 120.00	0.08	0.00	0.00
90.00 - 150.00	0.08	0.00	0.00
90.00 - 180.00	0.08	0.00	0.00
0.00 - 180.00	2733.54	71.96	100.00



LSR1 LED 4FT LTG2 3500K
DELIVERED LUMENS: 1,880Lm
TOTAL WATTS: 20W
EFFICACY: 94 Lumens/Watt

ZONAL LUMEN SUMMARY

ZONE	LUMENS	% LAMP	% FIXTURE
0.00 - 30.00	576.90	22.09	30.68
0.00 - 40.00	926.64	35.48	49.28
0.00 - 60.00	1569.75	60.10	83.48
0.00 - 90.00	1880.40	71.99	100.00
90.00 - 120.00	0.06	0.00	0.00
90.00 - 150.00	0.06	0.00	0.00
90.00 - 180.00	0.06	0.00	0.00
0.00 - 180.00	1880.40	71.99	100.00



LSR1 LED 4FT LTG3 3500K
DELIVERED LUMENS: 3,133Lm
TOTAL WATTS: 35W
EFFICACY: 90 Lumens/Watt

ZONAL LUMEN SUMMARY

ZONE	LUMENS	% LAMP	% FIXTURE
0.00 - 30.00	961.40	22.08	30.68
0.00 - 40.00	1544.53	35.48	49.29
0.00 - 60.00	2616.16	60.10	83.49
0.00 - 90.00	3133.48	71.98	100.00
90.00 - 120.00	0.10	0.00	0.00
90.00 - 150.00	0.10	0.00	0.00
90.00 - 180.00	0.10	0.00	0.00
0.00 - 180.00	3133.48	71.98	100.00