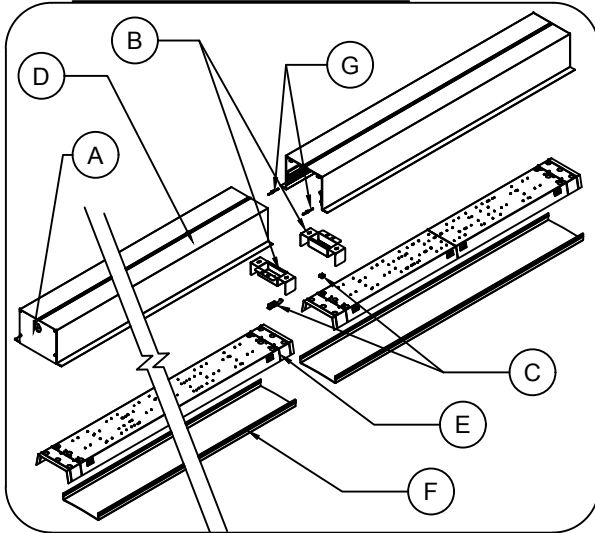
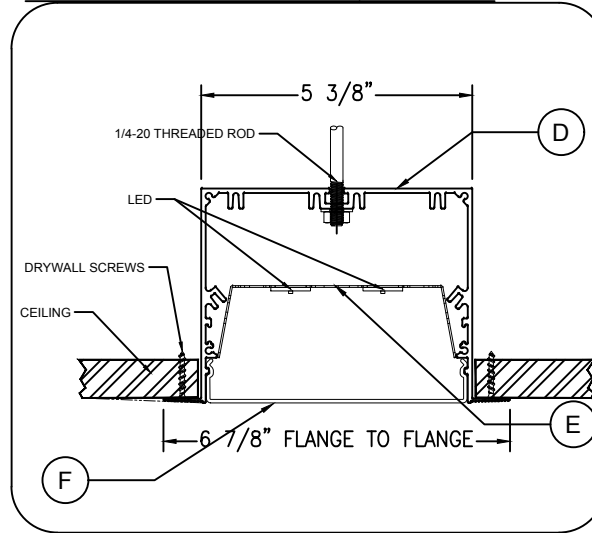


### EXPLODED VIEW:



### CROSS SECTION VIEW:



### PART LIST:

A- END PLATE

B- CONNECTOR BRACKET

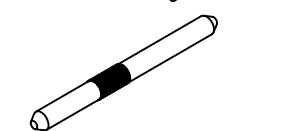
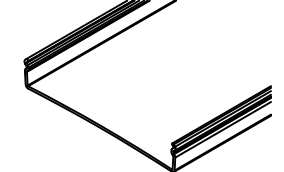
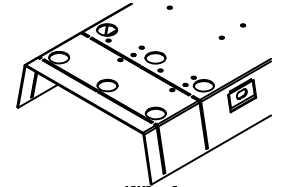
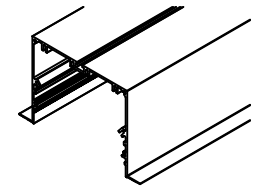
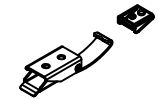
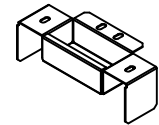
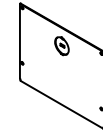
C- CATCH LATCH CONNECTOR

D- NT FIXTURE

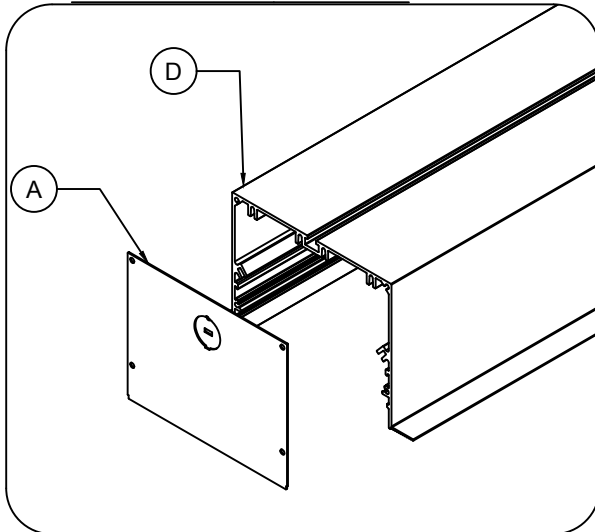
E- LED TRAY

F- LENS

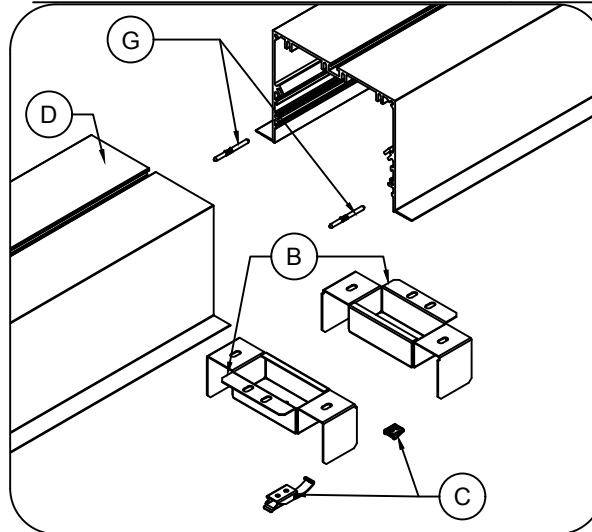
G- ALIGNERS



### DETAILED VIEW:



### CONNECTING DETAILED VIEW:



**1**

CEILING CUT

CEILING

**⚠ DANGER**

Hazardous voltage. Contact will cause electric shock or burn. Only work on de-energized equipment. Disconnect power before wiring fixture.

- Warning: Before cutting ceiling, Power conduit must be located in the appropriate site.

**2**

D

E

F

**NOTICE**

Do not touch LED. May damage device. Observe precautions for handling electrostatic sensitive devices.

- Remove lens and led tray before installing into the ceiling.

**3**

D

CEILING

- Install fixture into ceiling cut using a threaded rod and nut (optional)

**4**

CEILING

Fixture2

G

B

C

Fixture1

- CONTINUOUS ROW:** Align fixtures.

**5**

CEILING

B

C

- CONTINUOUS ROW:** Use Latch and Catch connectors to connect fixtures.

**6**

D

CEILING

- Screw Anchor Through Spackle Flange

1. CORONET INC. RESERVES THE RIGHT TO MAKE ANY DESIGN CHANGES FOR CONTINUOUS IMPROVEMENT WHICH WILL NOT AFFECT THE OVERALL APPEARANCE OR PERFORMANCE. 2. ALL FIXTURES TO BE WIRED BY CERTIFIED ELECTRICIAN ONLY.

Page 2

**CORONET INC.**  
77 WOOD STREET, PATERSON, NJ 07524  
T: 973-345-7660 F: 973-345-8705  
WWW.CORONETLED.COM

**⚠ WARNING: RISK OF FIRE AND ELECTRICAL SHOCK. FIXTURE MUST BE INSTALLED BY A QUALIFIED ELECTRICIAN ONLY IN ACCORDANCE WITH NATIONAL LOCAL BUILDING AND ELECTRICAL CODES. DISCONNECT POWER AT ELECTRICAL PANEL BEFORE SERVICING.**



