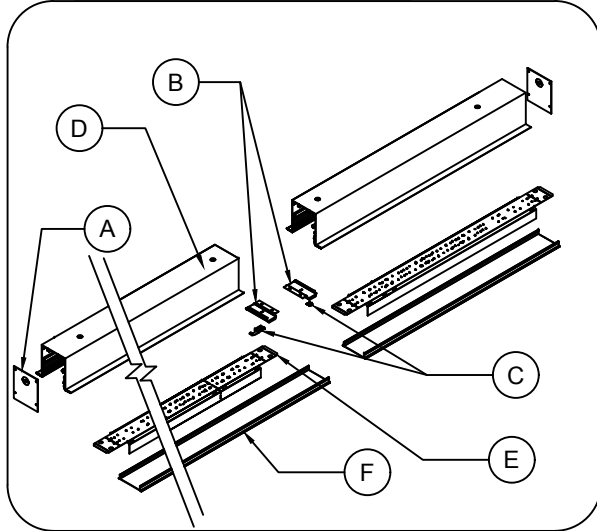
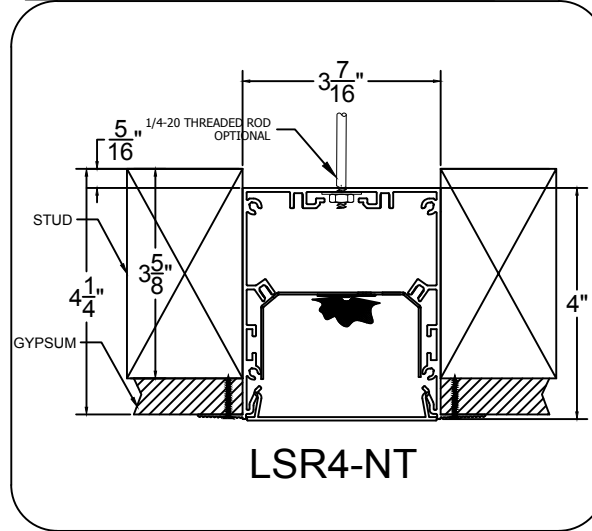


• **EXPLODED VIEW:**



• **CROSS SECTION VIEW:**



• **PART LIST:**

A- END PLATE

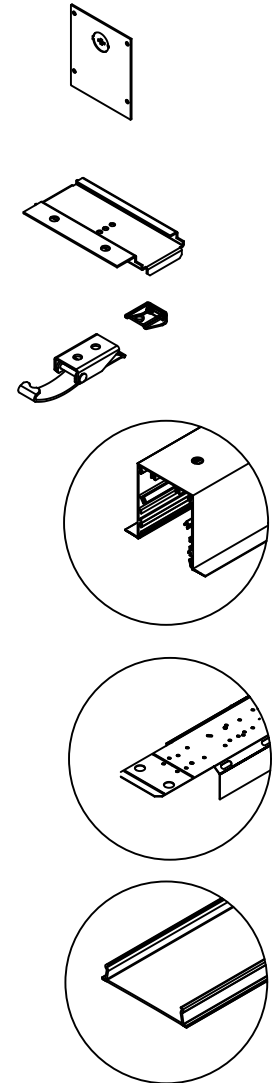
B- CONNECTOR BRACKET

C- LATCH CONNECTORS

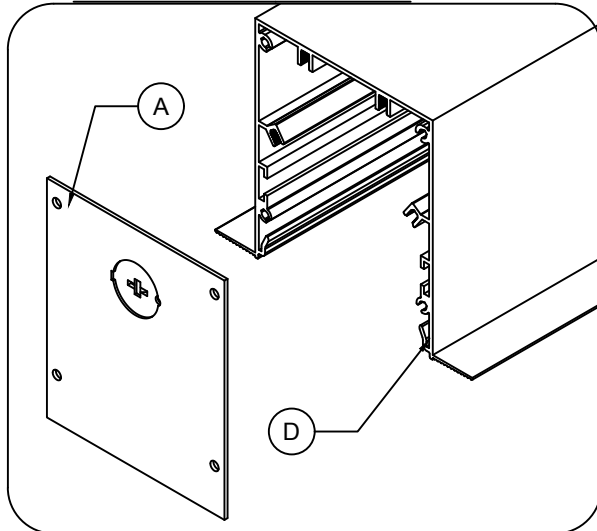
D- NT FIXTURE

E- LED TRAY

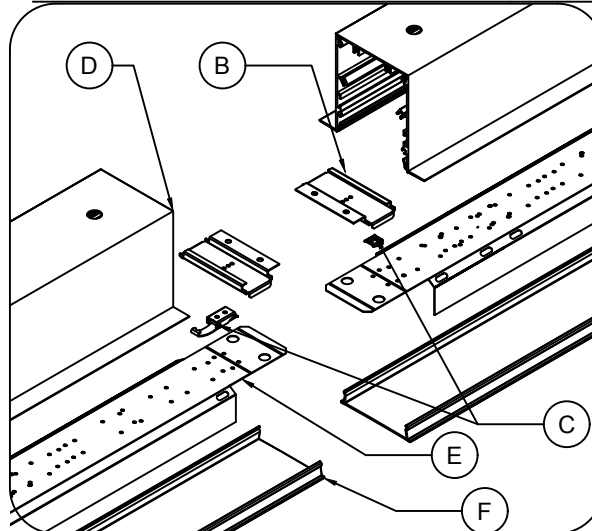
F- LENS



• **DETAILED VIEW:**



• **CONNECTING DETAILED VIEW:**



1. CORONET INC. RESERVES THE RIGHT TO MAKE ANY DESIGN CHANGES FOR CONTINUOUS IMPROVEMENT WHICH WILL NOT AFFECT THE OVERALL APPEARANCE OR PERFORMANCE. 2. ALL FIXTURES TO BE WIRED BY CERTIFIED ELECTRICIAN ONLY.

**1**

**DANGER**  
Hazardous voltage. Contact will cause electric shock or burn. Only work on de-energized equipment. Disconnect power before wiring fixture.

- Warning: Before cutting ceiling, Power conduit must be located in the appropriate site.

**2**

**NOTICE**  
Do not touch LED. May damage device. Observe precautions for handling electrostatic sensitive devices.

- CONTINUOUS ROW:** Remove lens and led tray before installing into the ceiling.  
**note: skip step 4 & 5 for a single fixture.**

**3**

**CEILING**

- this step is optional. Install fixture into ceiling cut using a threaded rod and nut.

**4**

- CONTINUOUS ROW:** Use pin aligners to align fixtures properly

**5**

- CONTINUOUS ROW:** Use catch & latch lock to connect fixtures.

**6**

**CEILING**

- Screw Anchor through the spackle Flange

