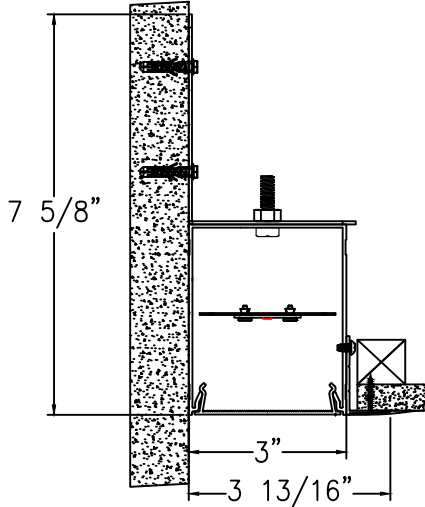


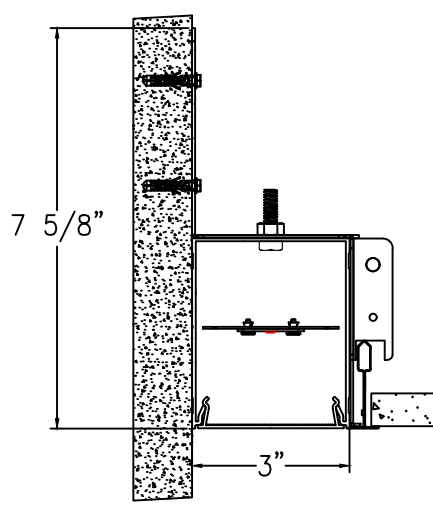


Risk of fire and electrical shock. In accordance with national local building and electrical codes, CORONET lighting fixtures must be installed by a qualified electrician. Disconnect power at electrical panel before servicing.

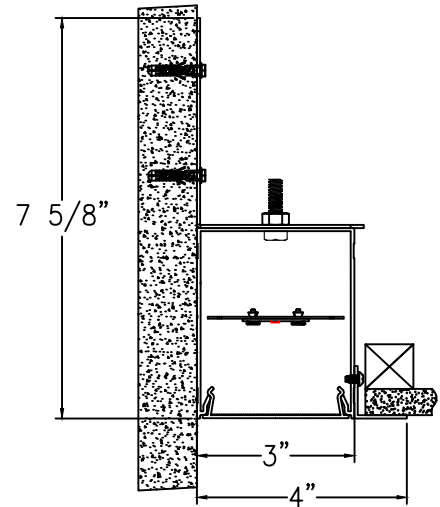
CROSS SECTION VIEW (NO TRIM)



CROSS SECTION VIEW (CEILING GRID)



CROSS SECTION VIEW (FLANGE)



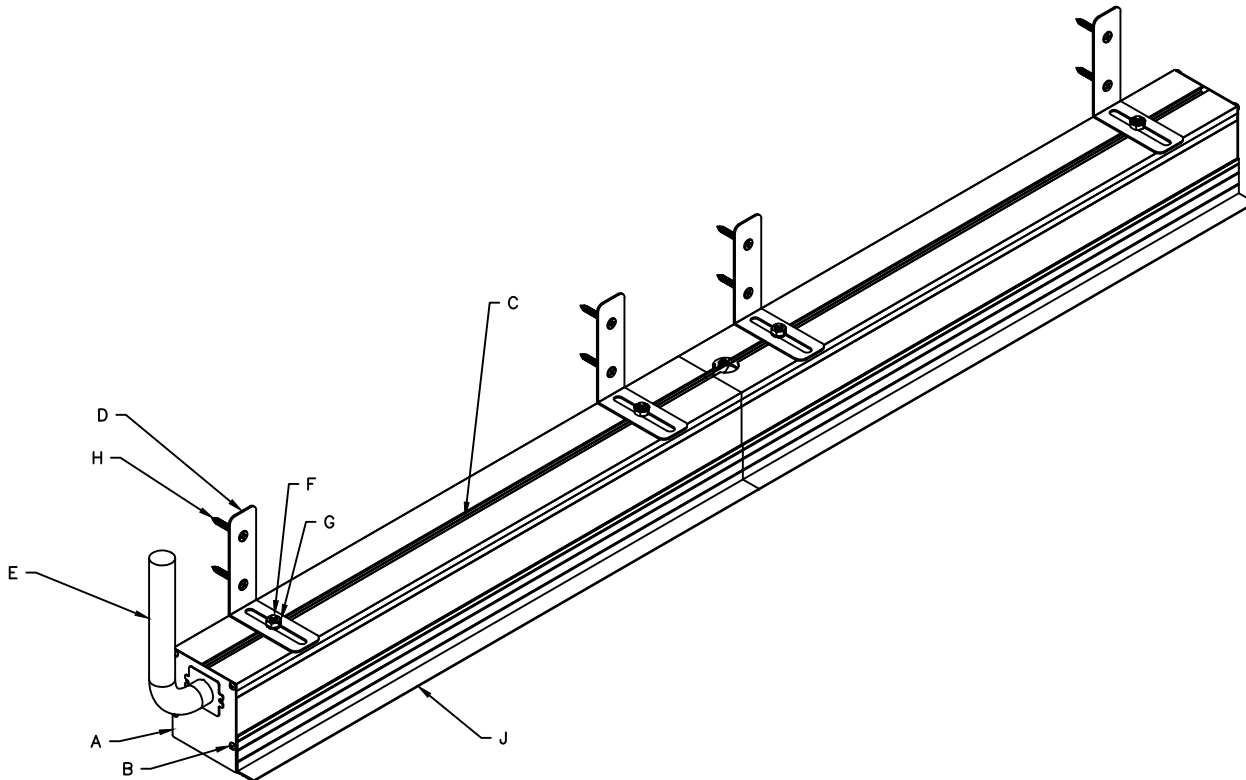
NOTE: THIS INSTALLATION GUIDE SHOWS A NO TRIM LSR3 PERIMETER MOUNT FIXTURE. HOWEVER, THE INSTALLATION REMAINS ALMOST THE SAME FOR THE OTHER MOUNTING TYPES EXCEPT FOR A FEW KEY DIFFERENCES THAT WILL BE CLEARLY NOTED.

PART LIST

- A-End Plate
- B-6-32 Screw
- C-Extrusion
- D-Mounting Bracket
- E-WHIP

- F-1/4-20 Hex Bolt
- G-1/4-20 Nut
- H-Drywall Screw (By Others)
- J-Auxiliary Extrusion

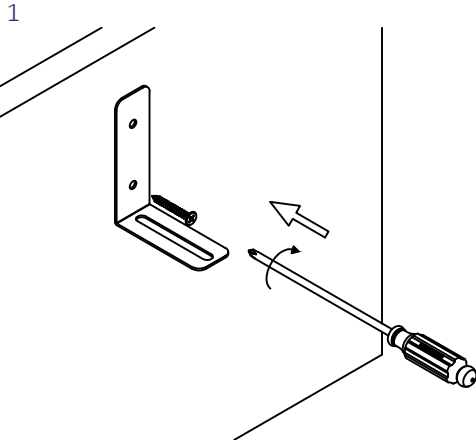
ISOMETRIC VIEW



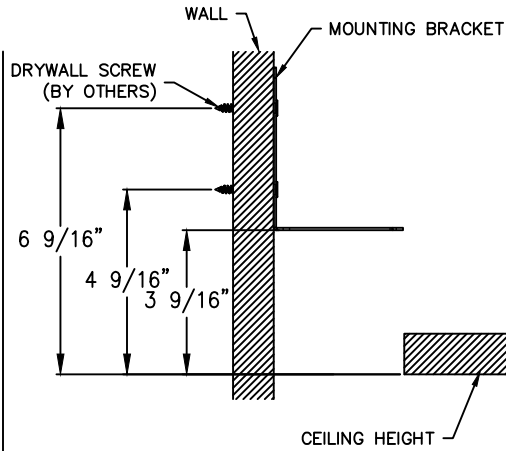
INDIVIDUAL FIXTURES ARE NOT INTENDED FOR CONTINUOUS RUNS.
ADDITIONAL SUPPORTS TO THE STRUCTURE MAY BE REQUIRED.
*CHECK WITH YOUR LOCAL BUILDING CODE FOR THOSE REQUIREMENTS.



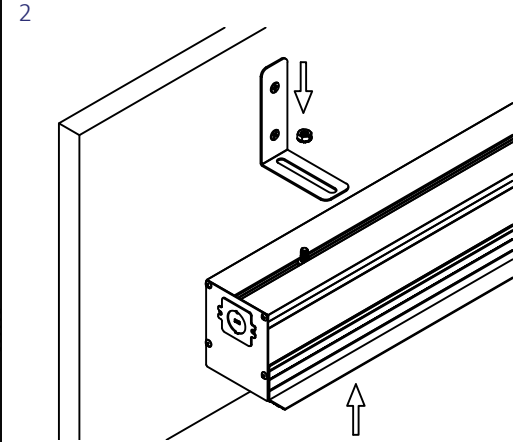
Risk of fire and electrical shock. In accordance with national local building and electrical codes, CORONET lighting fixtures must be installed by a qualified electrician. Disconnect power at electrical panel before servicing.



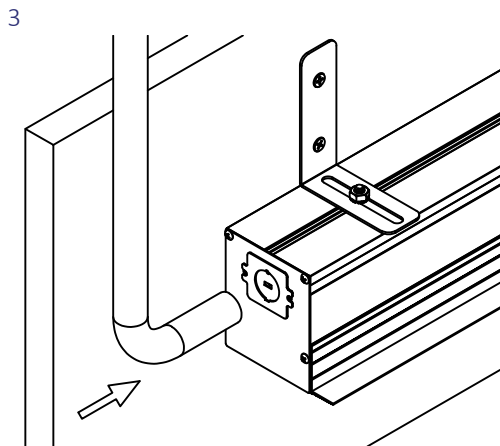
1 Install the mounting brackets to the wall by using a drywall screw (by others). Mounting height of channel shown to the



2 NOTE: WE RECOMMEND THAT THE FIXTURE BE INSTALLED BEFORE THE CEILING IS ESPECIALLY IF IT IS SHEET ROCK.

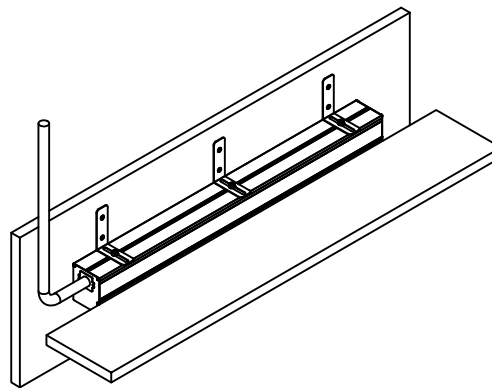


3 Lift the fixture into position and slide the 1/4-20 hex bolt into the holes of the mounting bracket. Use the provided 1/4-20 nuts to secure the fixture in place.



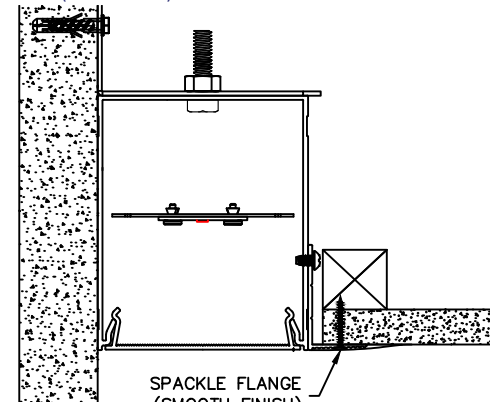
4 With the power off to the fixture, connect the WHIP to the fixture through the knock out at the endplate.

4A (NO TRIM & FLANGE)



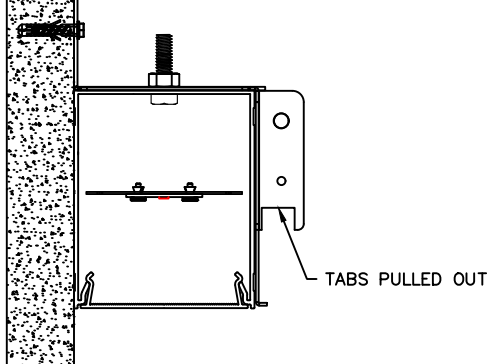
Power on the fixture to determine if it operates properly. For no trim and flange fixtures, the ceiling is ready to be installed.

5A (NO TRIM)



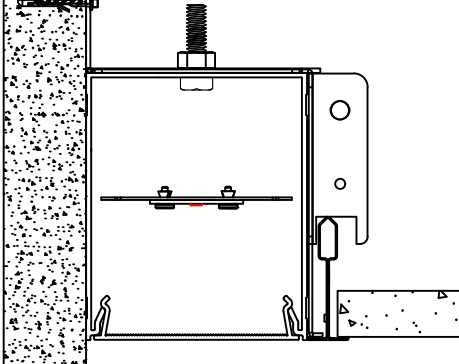
For no trim fixtures, spackle up to the side of the fixture covering the flange and screws. Sand to create a smooth finish.

4B (CEILING GRID)



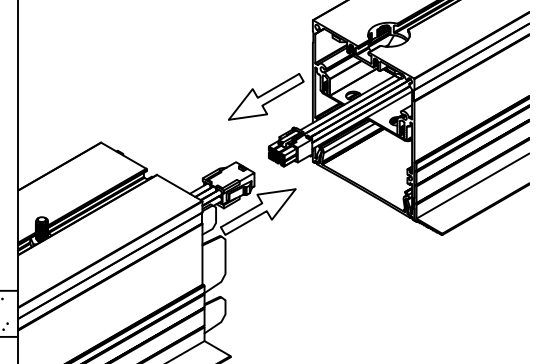
Before installing the grid, pull out the tabs from the support brackets. Note: One tab is for T-Grid and one is for Slot Grid.

5B (CEILING GRID)



Install the ceiling grid and panel and allow the fixture to rest on the grid.

6 Continuous Rows

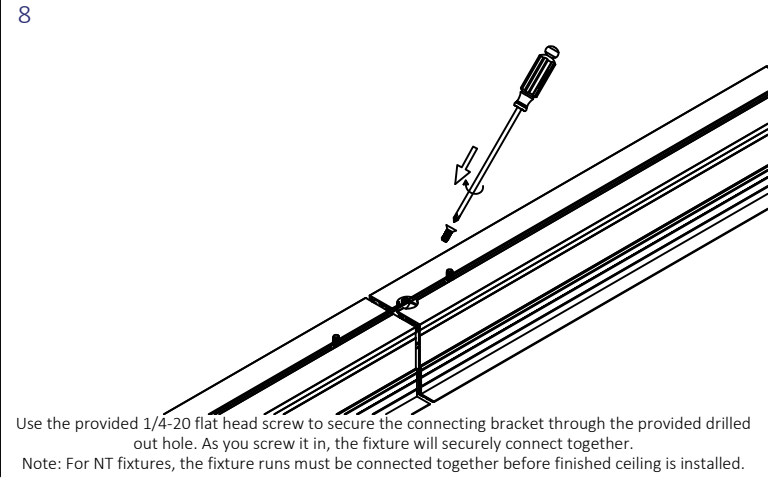
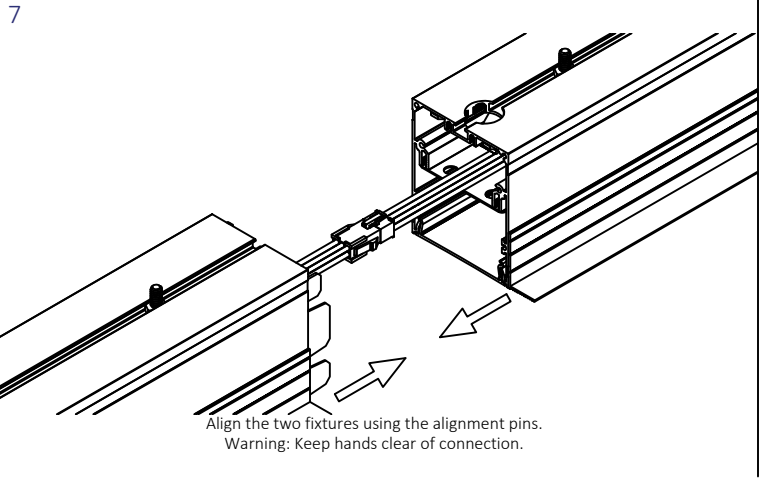


Before connecting the two fixtures, connect the wiring harness.

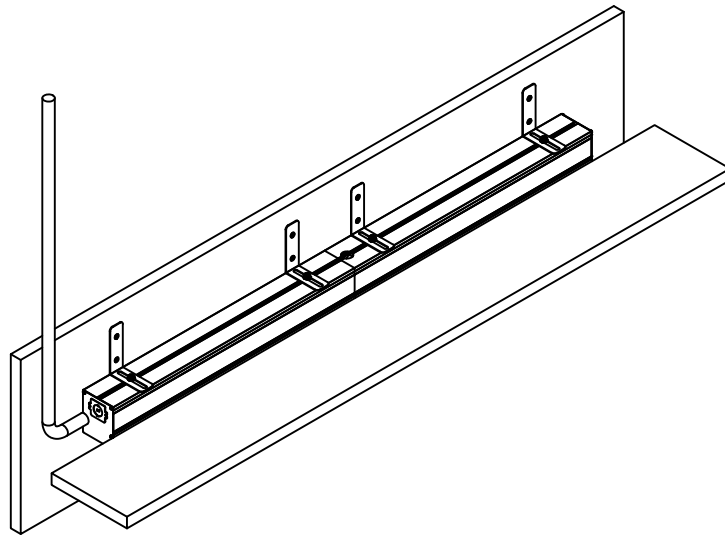
**INDIVIDUAL FIXTURES ARE NOT INTENDED FOR CONTINUOUS RUNS.
ADDITIONAL SUPPORTS TO THE STRUCTURE MAY BE REQUIRED.
*CHECK WITH YOUR LOCAL BUILDING CODE FOR THOSE REQUIREMENTS.**



Risk of fire and electrical shock. In accordance with national local building and electrical codes, CORONET lighting fixtures must be installed by a qualified electrician. Disconnect power at electrical panel before servicing.



9



Repeat steps 3-5 to finish installing your fixture. Check that your fixture operates properly after connecting them.

GENERAL INSTALLATION CONSIDERATIONS - See submittal drawings for job specific data.

Operating Temperature.....	-40°C to 50°C
Operating Voltage.....	110VAC-277VAC, 50Hz-60Hz
Weight.....	TBD
Dimensions.....	See submittal drawings

- Installation by a certified electrician only.
- Read and understand the installation instructions before attempting to install or use the fixture.
- Only use fixtures with voltage for which it is rated. Do not exceed the specified voltage and current input.
- Do not use the fixture if the housing, lens, or power cable is damaged.
- Ensure that the main power supply is off before installing or wiring the fixture.
- Method of wire connection to be determined by local electrical codes and regulations.
- The external flexible cable of this luminaire cannot be field replaced; if the cord is damaged, contact Coronet.
- The light source contained in this luminaire shall only be replaced by the lighting manufacturer or his service agent or a similar qualified person.

Please contact our technical support team for assistance.

**INDIVIDUAL FIXTURES ARE NOT INTENDED FOR CONTINUOUS RUNS.
ADDITIONAL SUPPORTS TO THE STRUCTURE MAY BE REQUIRED.
*CHECK WITH YOUR LOCAL BUILDING CODE FOR THOSE REQUIREMENTS.**