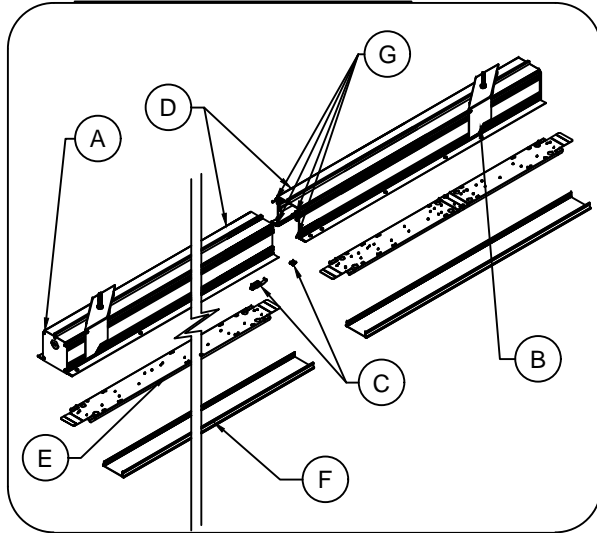
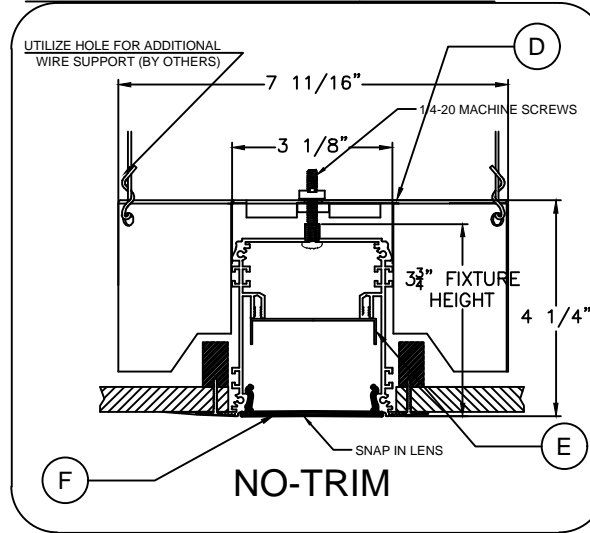


• EXPLODED VIEW:



• CROSS SECTION VIEW:



• PART LIST:

A- END PLATE

B- MOUNTING BRACKET

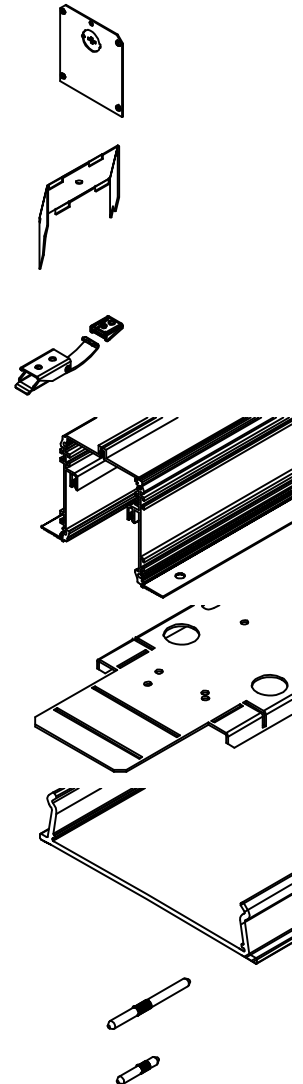
C- CATCH LATCH CONNECTOR

D- NT EXTRUSION

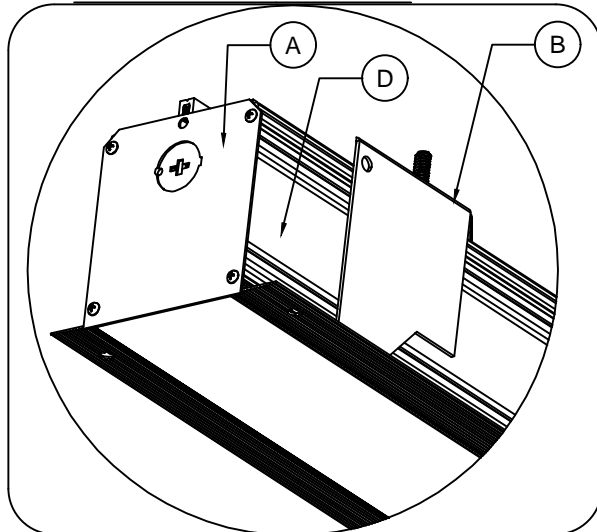
E- LED TRAY

F- LENS

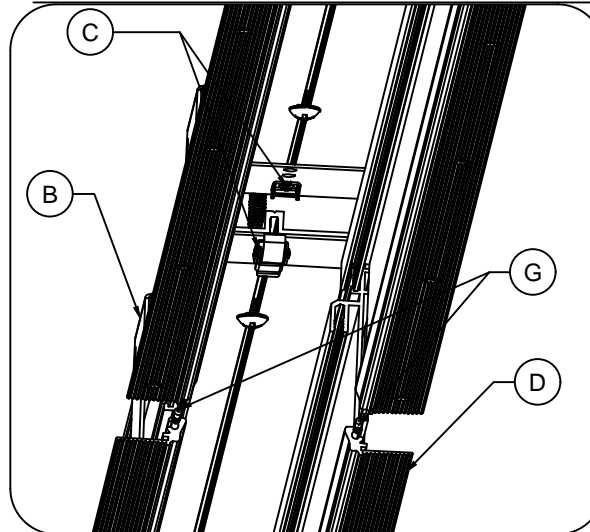
G- PIN ALIGNER



• DETAILED VIEW:



• CONNECTING DETAILED VIEW:



1. CORONET INC. RESERVES THE RIGHT TO MAKE ANY DESIGN CHANGES FOR CONTINUOUS IMPROVEMENT WHICH WILL NOT AFFECT THE OVERALL APPEARANCE OR PERFORMANCE. 2. ALL FIXTURES TO BE WIRED BY CERTIFIED ELECTRICIAN ONLY.

1

CEILING

CEILING CUT

DANGER
Hazardous voltages. Contact will cause electric shock or burn. Only work on de-energized equipment. Disconnect power before working further.

- Warning: Before cutting ceiling, Power conduit must be located in the appropriate site.

2

D

E

F

NOTICE
Do not touch LED. May damage device. Observe precautions for handling electronic sensitive devices.

- Remove lens and led tray before installing into the ceiling.

3

UTILIZE HOLE FOR ADDITIONAL WIRE SUPPORT (BY OTHERS)

7 11/16"

3 1/8"

4 1/4"

3/4" FIXTURE HEIGHT

CEILING

B

D

- Install fixture into ceiling cut using a threaded rod and nut (optional)

4

D

G

Fixture 2

Fixture 1

- CONTINUOUS ROW:** Align fixtures.

5

C

B

- CONTINUOUS ROW:** Use part C (catch and latch) to connect fixtures together.
note: make sure fixtures are properly aligned

6

UTILIZE HOLE FOR ADDITIONAL WIRE SUPPORT (BY OTHERS)

7 11/16"

3 1/8"

1/4-20 MACHINE SCREWS

CEILING

B

D

- Screw Anchor screws through Spackle Flange. If it is a long run, connect fixture before screwing anchors screws.

