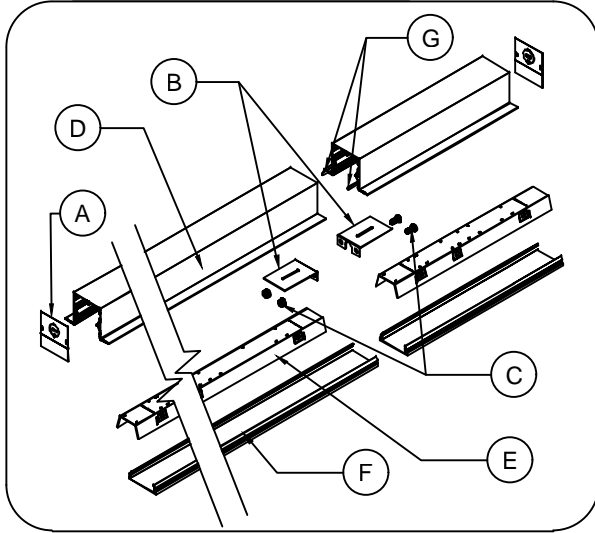
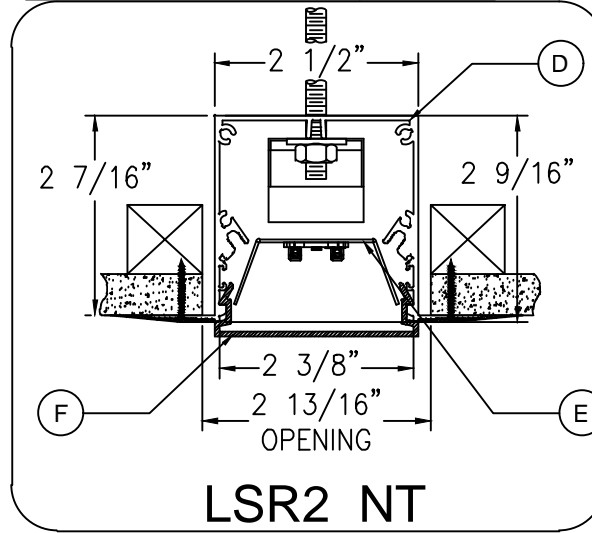


• **EXPLODED VIEW:**



• **CROSS SECTION VIEW:**



• **PART LIST:**

A- END PLATE

B- CONNECTOR BRACKET

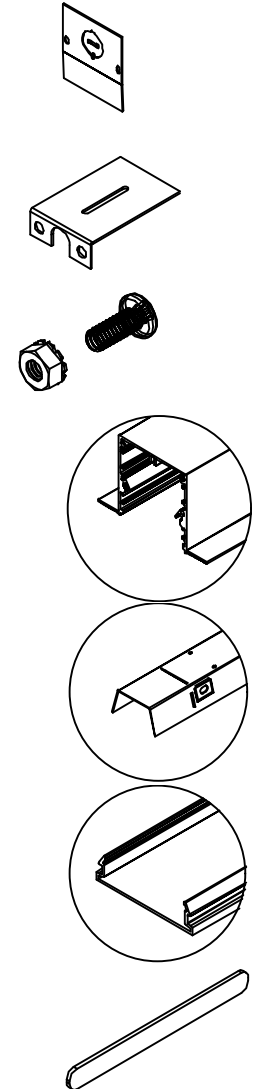
C- 1/4" -20x 1/2" SCREW & NUT WITH STAR WASHER

D- NT FIXTURE

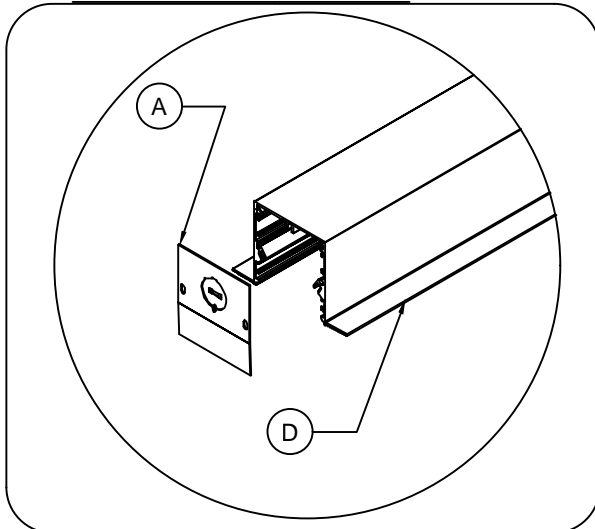
E- LED TRAY

F- LENS

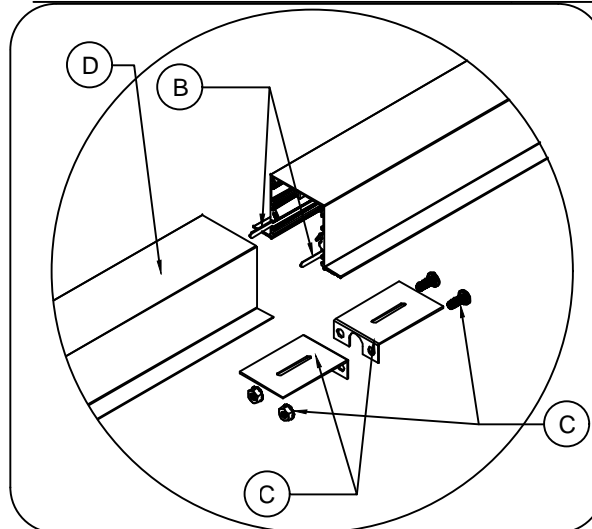
G- ALIGNERS



• **DETAILED VIEW:**



• **CONNECTING DETAILED VIEW:**



1

CEILING
CEILING CUT

DANGER
Hazardous voltage. Contact will cause electric shock or burn. Only work on de-energized equipment. Disconnect power before working on this.

- Warning: Before cutting ceiling, Power conduit must be located in the appropriate site.

2

D
E
F

NOTICE
Do not touch LED
May damage device
Always use caution for handling electrical sensitive devices.

- Remove lens and led tray before installing into the ceiling.

3

D

CEILING

- Install fixture into ceiling cut using a threaded rod and nut (optional)

4

B
D
C
G

- CONTINUOUS ROW:** Align fixtures.

5

C
B

- CONTINUOUS ROW:** Use screw and nut to connect fixtures.

6

D

CEILING

- Screw Anchor Through Spackle Flange

