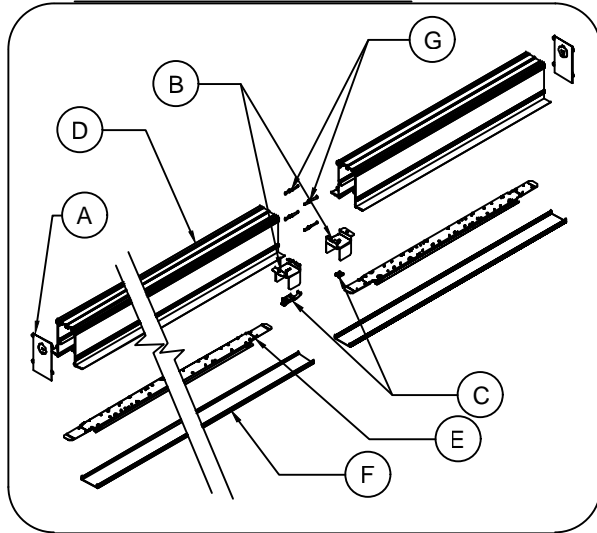
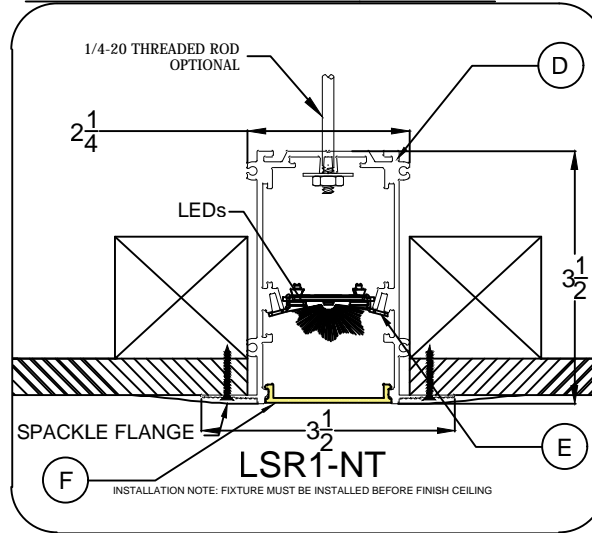


• **EXPLODED VIEW:**



• **CROSS SECTION VIEW:**



• **PART LIST:**

A- END PLATE

B- CONNECTOR BRACKET

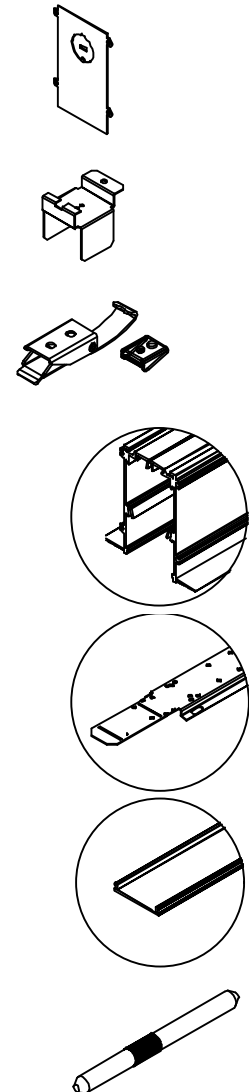
C- CATCH LATCH CONNECTOR

D- NT FIXTURE

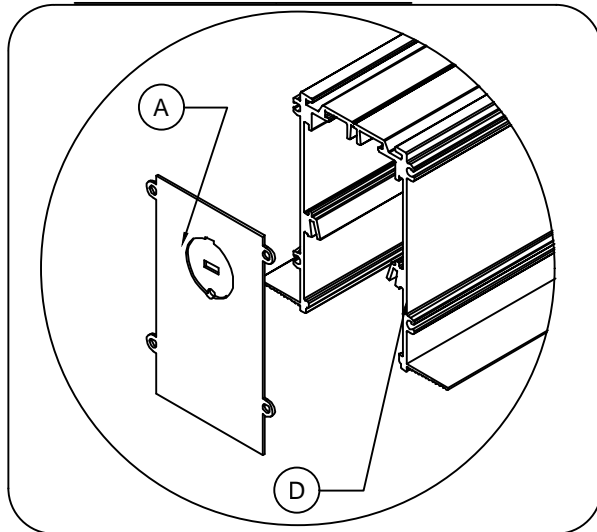
E- LED TRAY

F- LENS

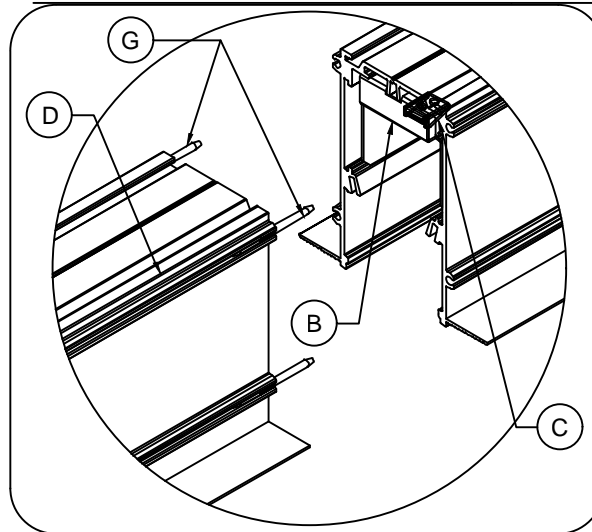
G- ALIGNERS



• **DETAILED VIEW:**



• **CONNECTING DETAILED VIEW:**



**1**

CEILING CUT

CEILING

**DANGER**  
Hazardous voltages. Contact will cause electric shock or burn. Only work on de-energized equipment. Disconnect power before working on this.

- Warning: Before cutting ceiling, Power conduit must be located in the appropriate site.

**2**

D

E

F

**NOTICE**  
Do not touch LED. May damage device. Observe precautions for handling electronic sensitive devices.

- Remove lens and led tray before installing into the ceiling.

**3**

D

CEILING

- Install fixture into ceiling cut using a threaded rod and nut (optional)

**4**

B

fixture2

G

fixture1

- CONTINUOUS ROW:** Align fixtures.

**5**

C

B

- CONTINUOUS ROW:** Use screw and nut to connect fixtures.

**6**

D

CEILING

- Screw Anchor Through Spackle Flange

