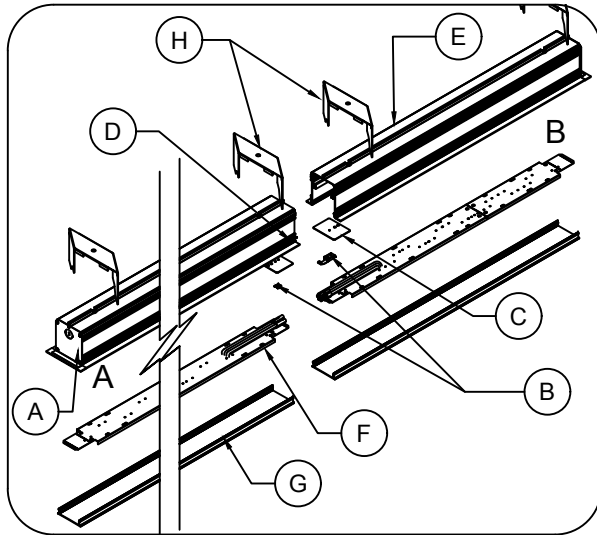
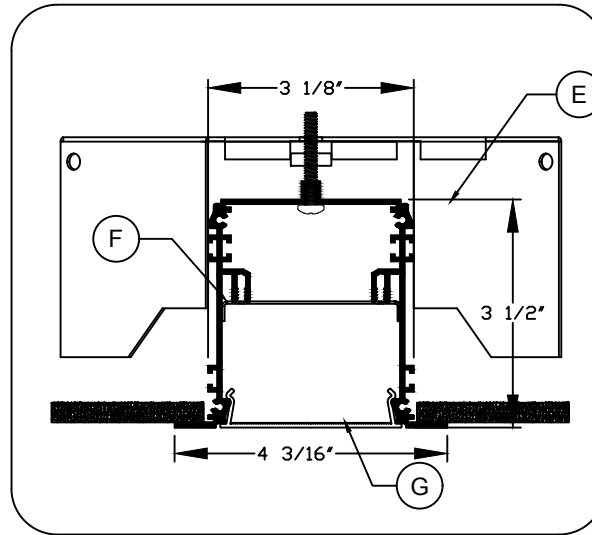


• EXPLODED VIEW:



• CROSS SECTION VIEW:



• PART LIST:

A- END PLATE

B- MALE  
CONNECTING  
BRACKET

C- FEMALE  
CONNECTING  
BRACKET

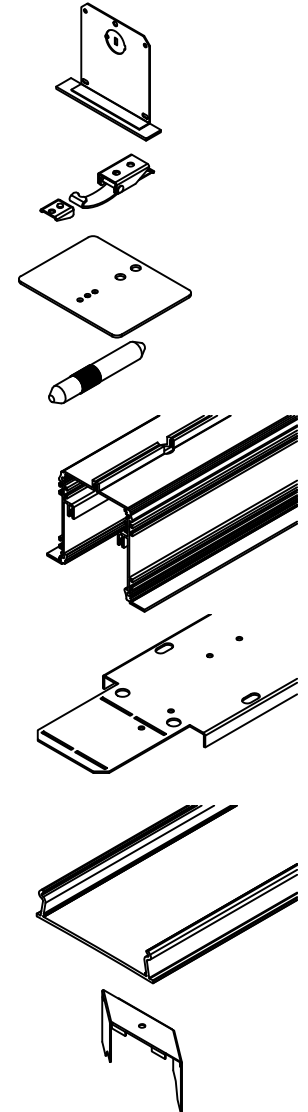
D- BOLT AND  
NUT

E- DIRECT FIXTURE

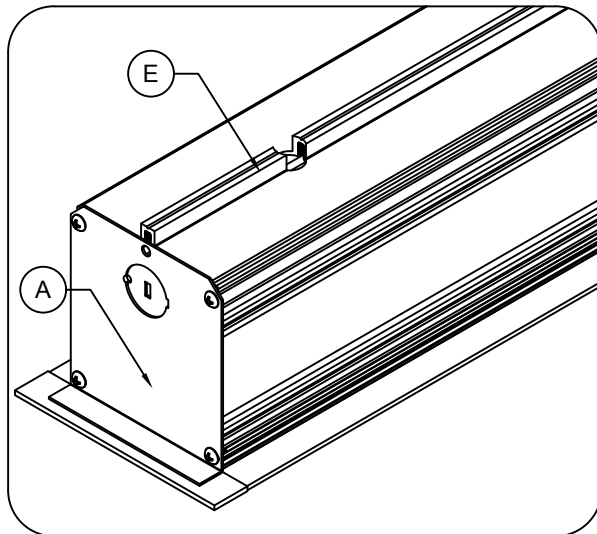
F- LED TRAY

G- LENS

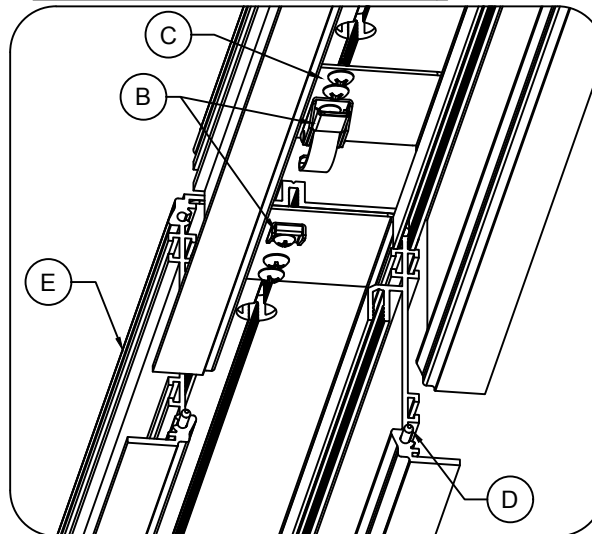
H- WALL BRACKET



• END PLATE DETAIL:



• CONNECTING DETAIL:



1. CORONET INC. RESERVES THE RIGHT TO MAKE ANY DESIGN CHANGES FOR CONTINUOUS IMPROVEMENT WHICH WILL NOT AFFECT THE OVERALL APPEARANCE OR PERFORMANCE. 2. ALL FIXTURES TO BE WIRED BY CERTIFIED ELECTRICIAN ONLY. CORONET IS NOT RESPONSIBLE FOR INSTALLATION ISSUES THAT DO NOT FOLLOW THE GUIDELINES SET FORTH BY SUBMITTAL DRAWINGS.

### CORONET INC.

55 SHEPHERDS LANE, TOTOWA, NJ 07512  
T: 973-345-7660 F: 973-345-8705  
WWW.CORONETLED.COM

**WARNING: RISK OF FIRE AND ELECTRICAL SHOCK. FIXTURE MUST BE INSTALLED BY A QUALIFIED ELECTRICIAN ONLY IN ACCORDANCE WITH NATIONAL LOCAL BUILDING AND ELECTRICAL CODES. DISCONNECT POWER AT ELECTRICAL PANEL BEFORE SERVICING.**



1

CUTOUT OPENING DIMENSION (FOUND ON SUBMITTAL DRAWING)

**⚠ DANGER**  
Hazardous voltage. Contact will cause electric shock or burn. Only work on de-energized equipment. Disconnect power before wiring fixture.

- Cutout ceiling opening may vary depending on size of the fixture, referred to submittal drawing for cutout dimension.

2

**NOTICE**  
Do not touch LED. May damage device. Observe precautions for handling electrostatic sensitive devices.

- Remove lens, and then remove the led trays from fixture.

*note: the number of brackets vary depending on fixture size.*

3

- Next insert fixture into ceiling cut.

4

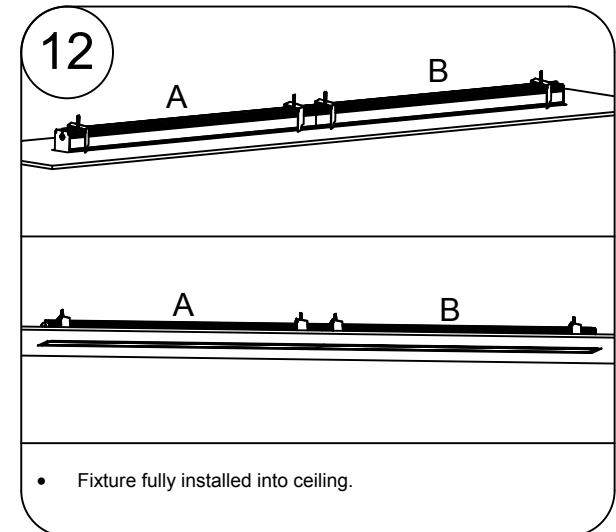
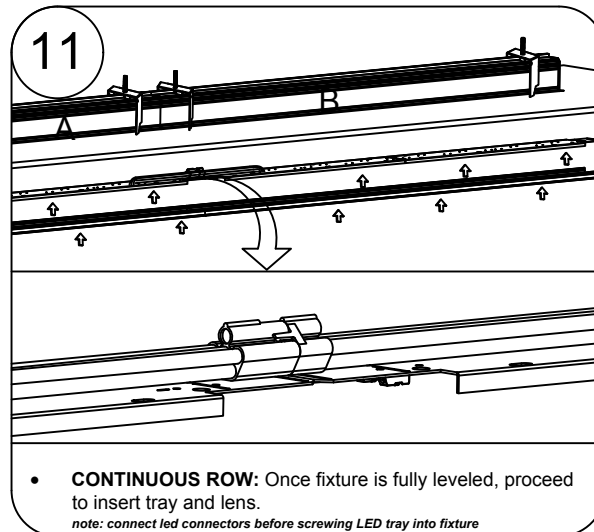
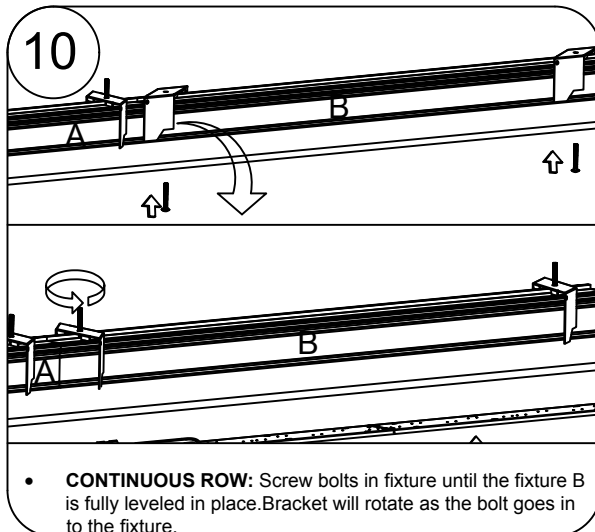
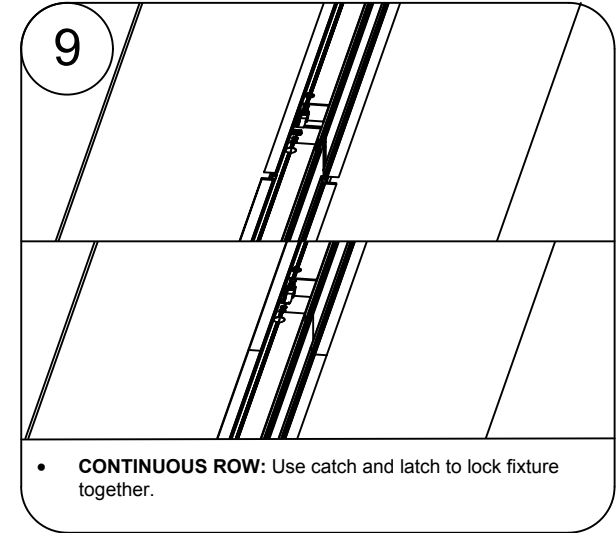
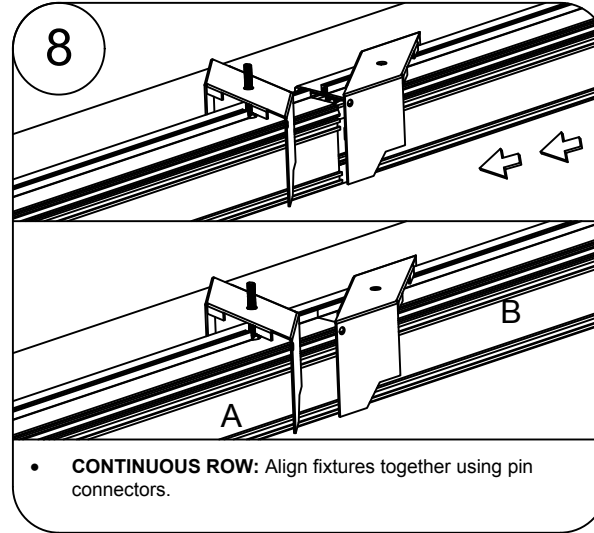
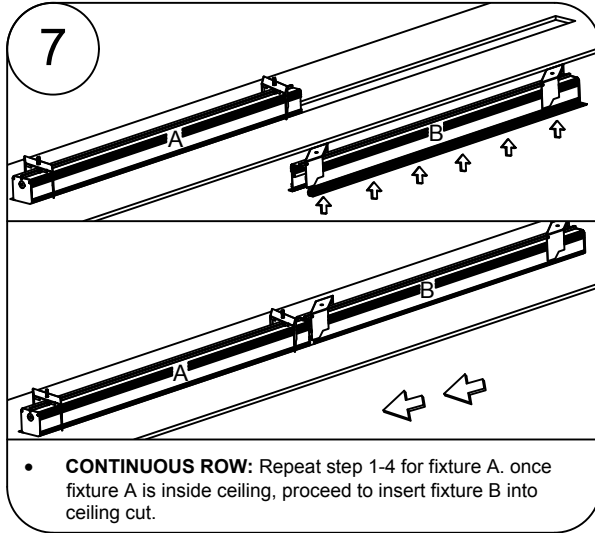
- Screw bolts in fixture until the fixture is fully leveled in place. Bracket will rotate as the bolt goes in to the fixture.

5

- Once fixture is fully leveled, proceed to insert tray and lens.

6

- Fully installed fixture into ceiling.



1. CORONET INC. RESERVES THE RIGHT TO MAKE ANY DESIGN CHANGES FOR CONTINUOUS IMPROVEMENT WHICH WILL NOT AFFECT THE OVERALL APPEARANCE OR PERFORMANCE. 2. ALL FIXTURES TO BE WIRED BY CERTIFIED ELECTRICIAN ONLY. CORONET IS NOT RESPONSIBLE FOR INSTALLATION ISSUES THAT DO NOT FOLLOW THE GUIDELINES SET FORTH BY SUBMITTAL DRAWINGS.