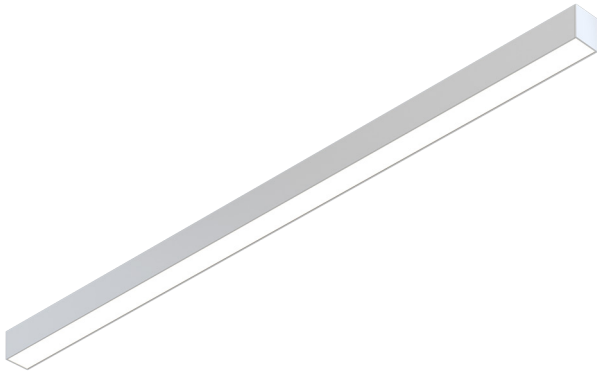


LS1 Low Profile direct

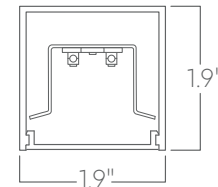


The LS Series of architectural luminaires offers a wide range of profiles and mounting options. Custom lengths and patterns are tailored to suit any modern space.

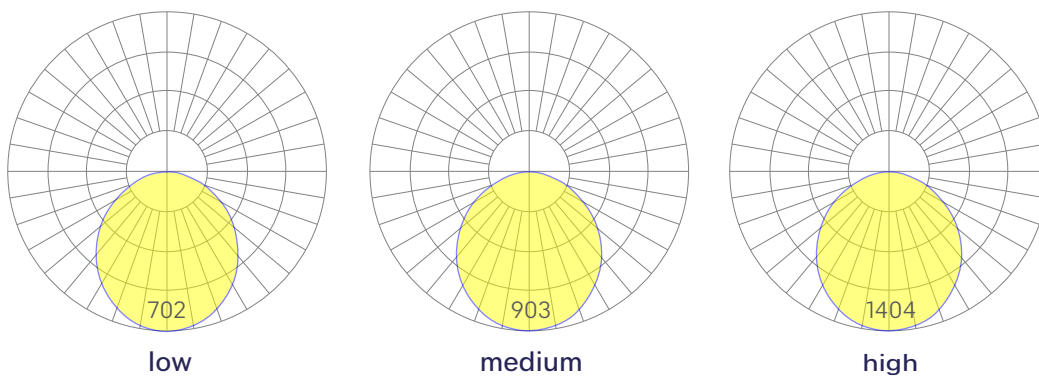
Features

- Extruded, recycled aluminum housing
- Aluminum core LED boards, specifiable optics
- Specifiable color temperature. CRI > 90, R9 >50
- Custom lengths, welded patterns, and finishes available
- Specifiable dimmable drivers or PoE
- 5 Year, 50,000 hour warranty
- WELL Building Standard compatible [learn more](#)

Dimensions



Optics



Representative distribution and peak candela. For other options see order information or IES files [here](#).

LS1 Low Profile direct

Ordering Information



Example: LS1 LP - 8 - 35 - MED - UNV - DB - W - AC - SD - CCS - DAYCKT - NA

Fixture ID	1	Length	2	Color Temperature	3	Output	4
LS1 LP		2 2 ft 4 4 ft 8 8 ft X'-X'' Specify Length ¹ PAT Pattern (Consult Factory)		27 2700K/90 CRI 30 3000K/90 CRI 35 3500K/90 CRI 40 4000K/90 CRI 50 5000K/90 CRI WD ¹ Warm Dim 2200K–3000K TW ² Tunable white 2700K–6500K RGBW30 ³ RGB +white, 3000k RGBW35 ³ RGB +white, 3500k RGBW40 ³ RGB +white, 4000k		LOW Low output MED Medium output HIGH High output CUST Custom output ¹	
		¹ Precision lengths may be specified to the nearest 1/8".		¹ Must use WD10 driver ² Must use TW10 or PSQdriver ³ Must use remote DMX driver		¹ consult factory	
Voltage	5	Driver	6	Finish	7	Mounting	8
UNV 347V ¹	Universal (120/277V) 347V	DB Standard 0-10V 1% DB.1% 0-10V 0.1% ELV 2-wire 1% (120V only) TRI Forward phase (120V only) LDE1 Lutron Digital EcoSystem DALI DALI-2 Driver PoE Power over Ethernet. DMX ¹ DMX512		W White BLK Black CC ¹ Custom Color CWF ¹ Custom Wood Finish		AC Aircraft Cable (50") SM Surface Mount WM Wall Mount PS-X Pendant Stem (12", 18", 24", 36", 48")	
		¹ Set to default address 001. RDM capable. Contact us for other addressing needs.		¹ Custom Color. See finish options here.		White stems and canopy provided. Must specify other requests.	
		¹ Must use DB Driver	All drivers remote	White SJ cord and canopy provided, for other requests, see section 12 to specify.			
Optics	9	Sensors/Controls	10	Circuit	11	Options	12
SD ASYM	Standard diffuser Asymmetric optic	NA None EIS Enlighted sensor WISM Wattstopper occupancy sensor WISD Wattstopper daylight sensor ECS Eaton WaveLinx sensor ACM Acuity nLight module only ACS Acuity nLight sensor CCS Casambi module		NA None EM120V Emergency Pack EM277V Emergency Pack EMCKT Emergency Circuit DAYCKT Daylight Circuit		NA None CAN-X ¹ Canopy + color SJ-X ² SJ Cord + color	
		Consult factory for other options.				¹ White SJ cord and canopy provided, use above nomenclature for other requests.	² See finish options here.

Performance

Output ¹	Watts/ft	Lumens/ft
Low	5	474
Medium	7	677
High	10	948

¹Based on a typically configured 90 CRI, 3500K luminaire using one driver.

Custom outputs available. Please consult factory.
For 4000K multiply by 105, for 3000K 0.96, for 2700K, 0.92.

Technical Information



click [here](#) or scan QR code

Wiring diagrams, PoE and sensor details

Modification date: October,2021

Page 2 of 4

LS1 Low Profile direct

Drivers & Electrical

Remote, dimmable drivers are supplied in enclosures.

Emergency Back-Up

For fixtures three-feet or longer, a 4W integral emergency driver may be wired to 4ft sections. 7W, 10W, and 12W drivers are also available (not all integral; consult factory). Emergency circuits for use with building generators are also available.

PoE (Power over Ethernet)

Compatible with virtually all PoE systems including Molex Coresync, Igor, Smartengine, Platformatics, and NuLED SPICEbox. Consult Factory for systems not listed, See [here](#) for more info.

Finishes

All luminaires are finished in high quality polyester powder coating. Our standard color is white. Any RAL color may be specified.

Weight

3 lbs per foot.

Optics

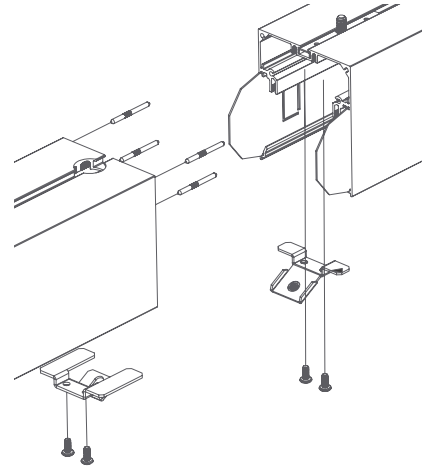
Extruded satin acrylic lenses provide excellent diffusion, high transmission, and no LED imaging. Black Optic and glare-free, beam-controlling TIR optics are available for some models.

Construction

Extruded, recycled aluminum housing.

Joined Runs

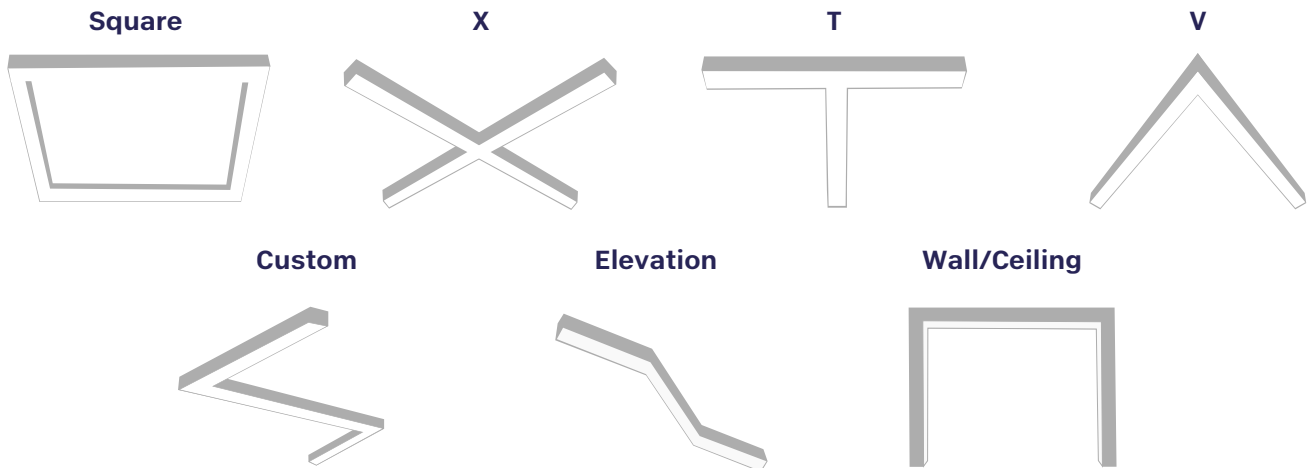
Runs of any length may be specified and are comprised of multiple, factory-engineered, joined sections. Individually specified luminaires are not field joinable.



Representative joinery. For product specific details see installation guides or submittal drawings.

Patterns

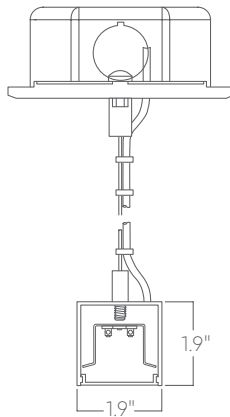
Featuring illuminated welded corners and angles. Consult factory for custom designs and elevations.



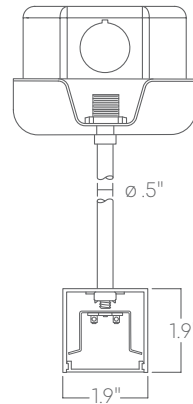
LS1 Low Profile direct

Mounting Options

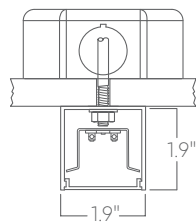
Custom mounting types and ceiling transitions available; consult factory.



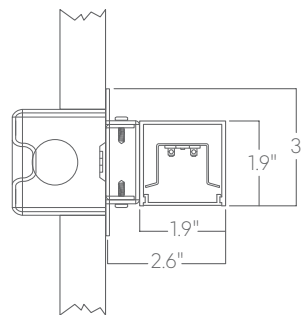
Aircraft cable



Pendant stem



Surface mount



Wall mount