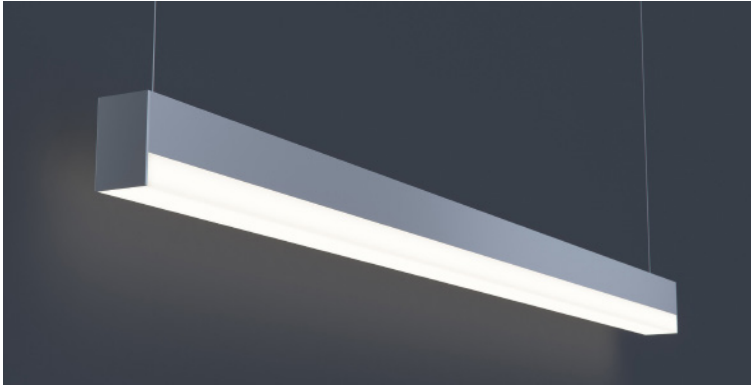


DATE \_\_\_\_\_ PROJECT \_\_\_\_\_ FIRM \_\_\_\_\_ TYPE \_\_\_\_\_



Narrow, linear luminaire with square lens. For use in indoor applications where an LED luminaire with small profile providing continuous light is required. Suspended, surface or wall mount installation.

### FEATURES

- Available In Made To Measure Lengths Accurate Up To 1/16"
- Patterns Available (See Page 3)
- Square Diffuser
- Damp Location Rated
- CRI 90+ Standard; R9>50
- 5 Year, 50,000 Hour Fixture Warranty
- 2700K, 3000K, 3500K, 4000K & 5000K Color Temperatures Available
- Available with PoE

**APPLICATIONS** Offices, Lobbies, Retail Stores, Classrooms, Reception Areas & Corridors

**CONSTRUCTION** Extruded Aluminum Housing with Steel End Caps. Formed Steel Gear Tray

**OPTICS** Square, Extruded High Transmission Satin Acrylic Lens with No LED Imaging

**WARRANTY** 5 Year Limited Warranty (Covers Standard Components)

**FINISH** Standard Powder-Coated White. Custom RAL Colors Available

**FIXTURE RATINGS & CERTIFICATIONS** Union Made ETL Listed Made In The USA Damp Location Rated



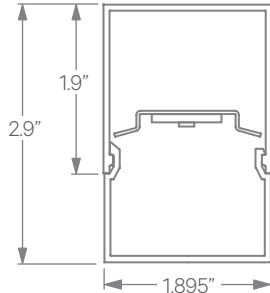
### DRIVERS & SENSORS



For Wiring Diagrams and Sensor Information Click [Here](#)

**ELECTRICAL** Integral Driver with 0-10V Dimming Standard or 'Power Over Wire' System Which Eliminates Power Feed Cord By Combining The Aircraft Cable and Power Feed. Several Driver Options Available

### EXTRUSION DIMENSIONS



### LED SYSTEM INFORMATION

|                 | Nominal System Watts | Nominal Delivered Lumens | Nominal Efficacy |
|-----------------|----------------------|--------------------------|------------------|
| Standard (LTG1) | 7.25 W/ft            | 690 lm/ft                | 95 LPW           |
| Low (LTG2)      | 5 W/ft               | 475 lm/ft                | 95 LPW           |
| High (LTG3)     | 8.75 W/ft            | 795 lm/ft                | 91 LPW           |

Based on a 3500K luminaire using one driver. Custom outputs available; specify below.

### ORDERING



| 1 - FIXTURE ID | 2 - LENGTH   | 3 - COLOR TEMP  | 4 - LED SYSTEM   | 5 - VOLTAGE                   | 6 - DRIVER   |
|----------------|--|---|--|-------------------------------|--|
| LS1 LED SQ     | 2 - 2 ft<br>4 - 4 ft<br>8 - 8 ft<br>X'-X" - Specify Length<br>PAT - Pattern<br>(Consult Factory) | 27 - 2700K/90 CRI<br>30 - 3000K/90 CRI<br>35 - 3500K/90 CRI<br>40 - 4000K/90 CRI<br>50 - 5000K/90 CRI<br>TW* - Tunable White<br>RGBW** - RGB+3000K<br><br>*Must use DMX or TW10 Driver<br>**Must use DMX Driver | LTG1 - Standard<br>LTG2 - Low<br>LTG3 - High<br>LTGC - Custom Output | UNV - Universal<br>(120/277V) | DB - Standard Dimming (0-10V)<br>DB1% - 1% Dimming (0-10V)<br>DB.1% - 0.1% Dimming (0-10V)<br>LTEA - Lutron 2-wire 1% Dimming (120V only)<br>LDE1 - Lutron Digital EcoSystem<br>LDE5 - 5 Series EcoSystem; 5% Dimming<br>PoE - Power over Ethernet. Consult Factory for Compatibility<br>DMX - For Color Tuning and RGBW (Remote)<br>TW10 - Dual Channel, 0-10V For Color Tuning (CCT and Intensity Control) |

| 7 - FINISH   | 8 - MOUNTING   | 9 - CONTROL (Optional)   | 10 - OTHER OPTIONS  |
|--|--|--|---|
| W - White (Standard)<br>BLK* - Black<br>CC* - Custom Color<br>(provide RAL number**)<br>CWF* - Custom Wood Finish<br>(provide color**) | AC - Air Craft Cable (50")<br>ACP - Power Over Aircraft Cable<br>SM - Surface Mount<br>WM - Wall Mount | EIS - Enlighted Sensor<br>WISD - Wattstopper Daylight Sensor<br>WISM - Wattstopper Occupancy Sensor<br>SLS - SensiLUM Sensor<br>ACS - Acuity Controls nLight System<br>CCS - Casambi Compatible<br>ECS - Eaton WaveLinX System<br><br>*For other control systems not listed consult factory. | EM 120V - Emergency Pack<br>EM 277V - Emergency Pack<br>EMCKT - Emergency Circuit |

\*White cord and canopy provided.  
\*\*Must specify for other requests.  
\*\*See [here](#) for finish options

DATE

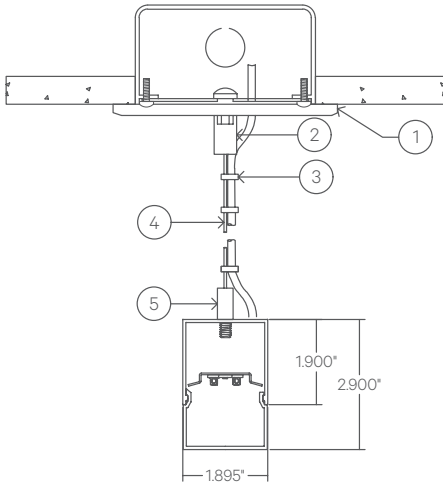
PROJECT

FIRM

TYPE

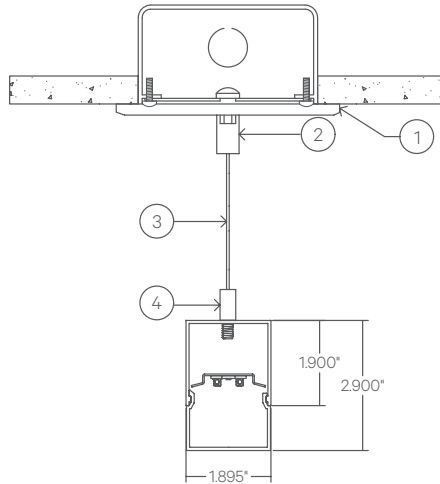
## MOUNTING OPTIONS

### AC - Air Craft Cable (50")



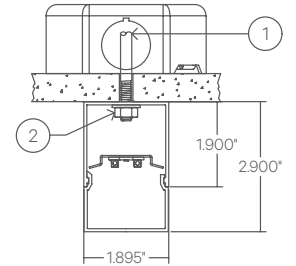
- 1 - 5" Round Canopy (Standard White Finish)
- 2 - Canopy Retainer
- 3 - SJT Cord (Standard White)
- 4 - Air Craft Cable
- 5 - Gripper

### ACP - Power Over Aircraft Cable



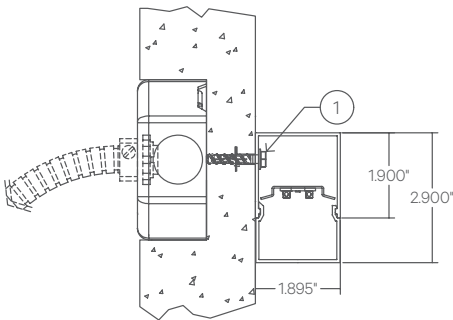
- 1 - 5" Round Canopy (Standard White Finish)
- 2 - Canopy Retainer
- 3 - ACP Cable
- 4 - Gripper

### SM - Surface Mount



- 1 - Threaded Rod (not supplied)
- 2 - 1/4-20 Nut (not supplied)

### WM - Wall Mount



- 1 - Hardware (not supplied)

DATE

PROJECT

FIRM

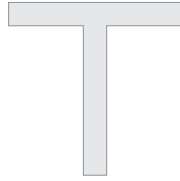
TYPE

## PATTERNS

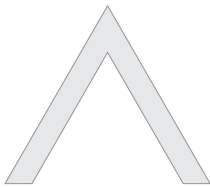
Patterns feature illuminated corners and angles. **Must consult factory for custom corners and patterns.**



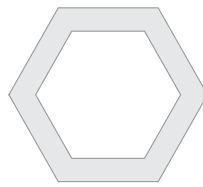
Square Patterns



T Patterns

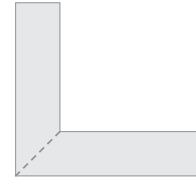


Custom Angles



Custom Patterns

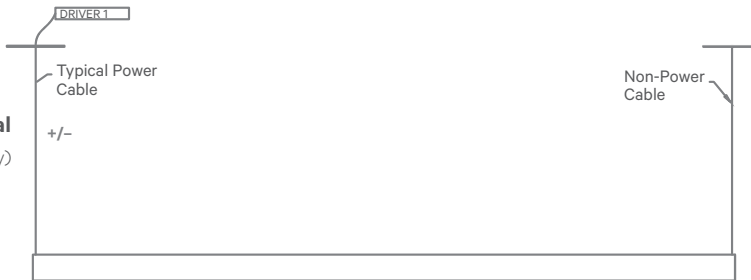
## LENS CUT



Mitered

## ACP - 'Power Over Aircraft Cable' Option

**Individual**  
(Up to 8ft Only)



**Continuous Runs**  
Note: Configurations vary based on run lengths; consult factory

