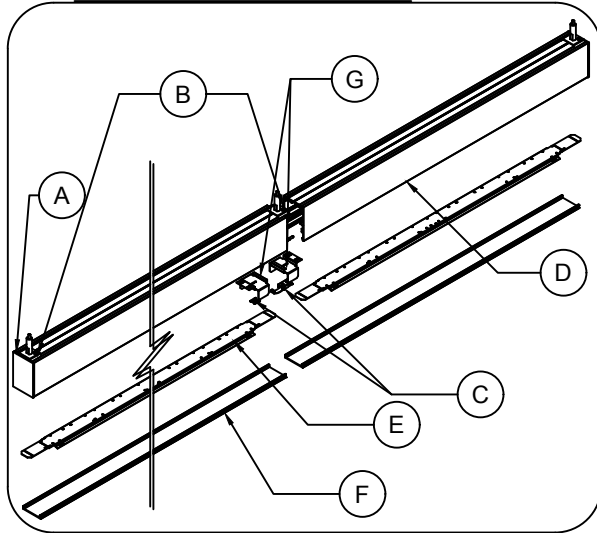
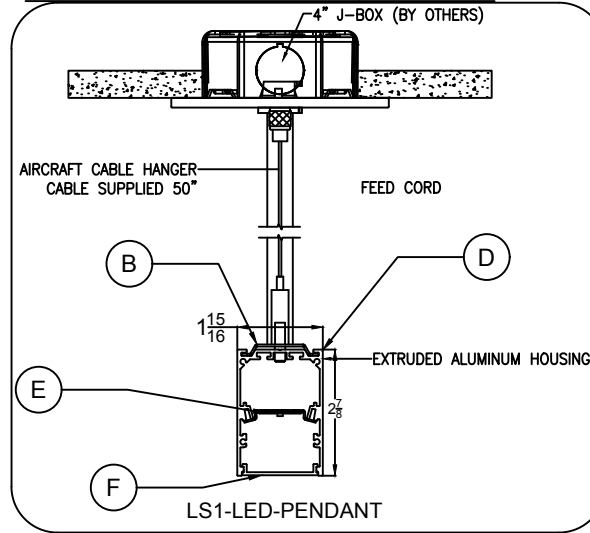


• EXPLODED VIEW:



• CROSS SECTION VIEW:



• PART LIST:

A- END PLATE

B- HANGING BRACKET

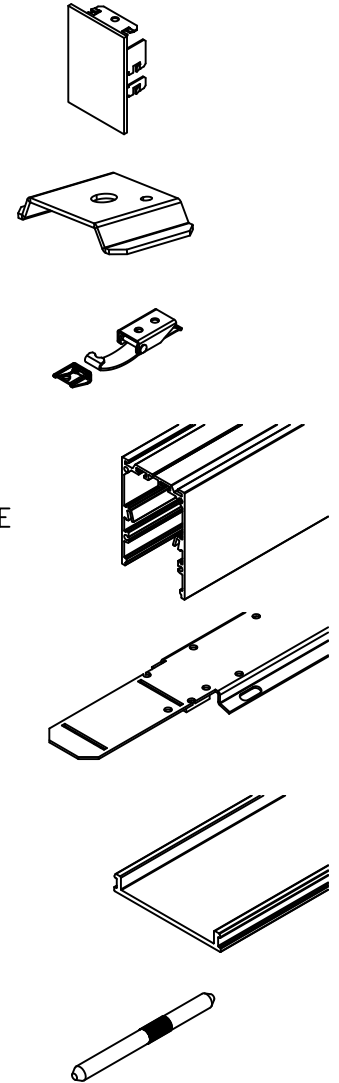
C- CATCH LATCH CONNECTOR

D- DIRECT FIXTURE

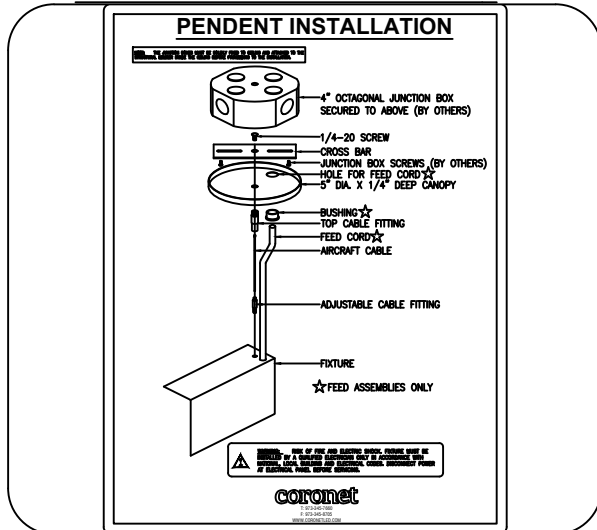
E- LED TRAY

F- LENS

G- ALIGNERS



• POWER SIDE DETAIL:



• NON POWER SIDE DETAIL:

