



DATE

JOB NAME

TYPE

Features	Applications
<ul style="list-style-type: none"> • Vandal-proof, luminaire for surface wall or ceiling mounting • Prismatic, polycarbonate, high impact lens • Steel ends and tamper-resistant screws 	<ul style="list-style-type: none"> • High Abuse Areas • Public Areas • Corridors • Hospital Bed Light • Stairwells • Utility Areas

Series	Size	Lamps	Watts	Voltage	Options
VP					
	2FT	1	17WT8	120	EM-EM Pack 1-Lamp
	3FT	2	25WT8	277	EM2-EM Pack 2-Lamp
	4FT		32WT8	UNV	DB—Dimming Ballast SC—Separate Circuit PS—Pendant Stems (6", 12", 24", 36", 48")

Ordering Example: VP-217T8-DB

Details

Application Features: Specification grade, surface mounted wall or ceiling vandal-proof luminaire. For use in indoor applications where a T8 fixture with polycarbonate lens and tamper-resistant screws. Available in nominal 2', 3' and 4' lengths.

Construction: Die formed 16 ga. steel housing and end caps with polycarbonate lens and tamperproof screws. Sufficient knock-outs provided for through wiring and optional pendant stems.

Finish: Power coated white.

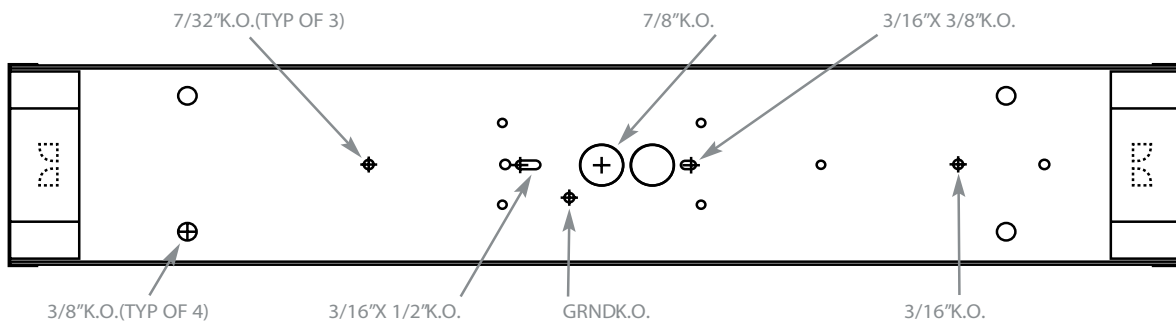
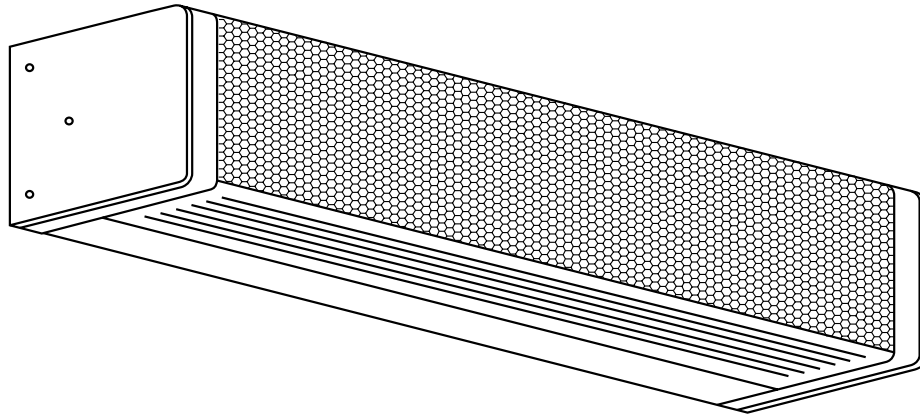
Electrical: Electronic ballasts are class P, thermally protected.

Approvals: Union made, UL listed, and manufactured in the US.

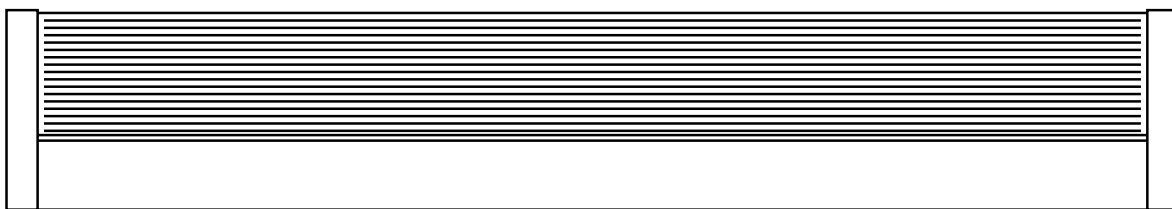
Mounting: Surface mounts over electrical box or with optional pendant stems.

Optics: .125" tamper and impact resistant clear polycarbonate lens.

Options: Emergency Battery Backup, Dimming Ballasts, Separate Circuit, Pendant Stems.

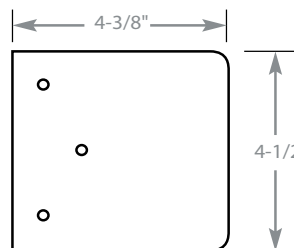


FRONT VIEW WITHOUT LENS

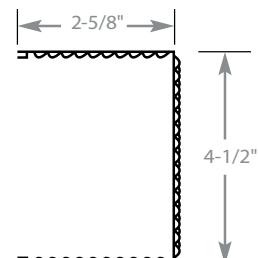


SIDE VIEW WITH LENS

T8 Lamps	
Quantity	Length
(1 or 2) 17W	24-1/4"
(1 or 2) 25W	36-1/4"
(1 or 2) 32W	48-1/4"



END VIEW



LENS ONLY