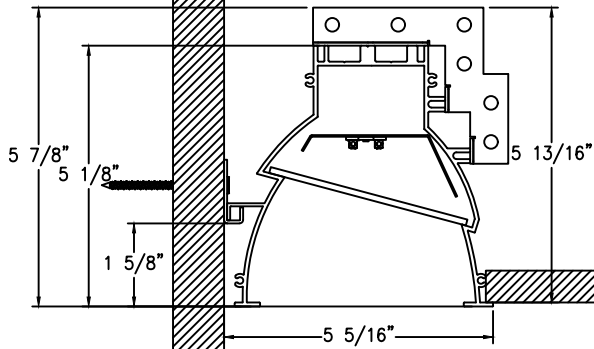


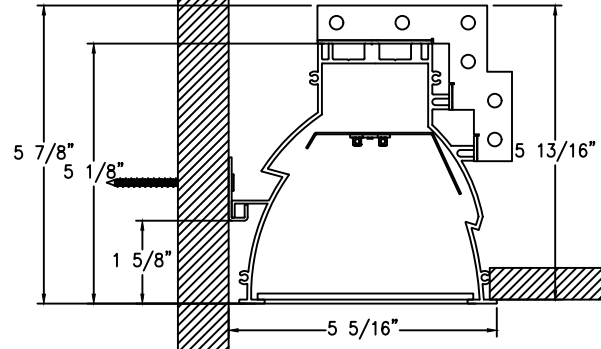


Risk of fire and electrical shock. In accordance with national local building and electrical codes, CORONET lighting fixtures must be installed by a qualified electrician. Disconnect power at electrical panel before servicing.

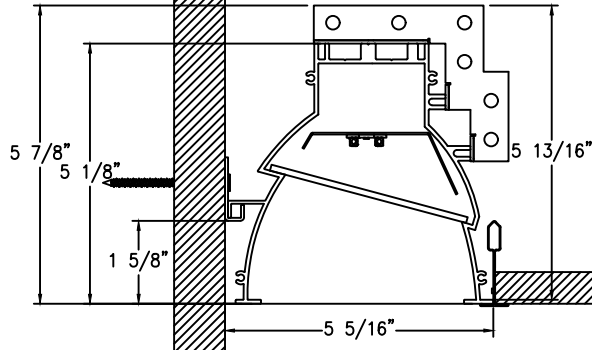
CROSS SECTION VIEW (WITH REGRESS LENS)



CROSS SECTION VIEW (WITH FLUSH LENS)



CROSS SECTION VIEW (WITH T-GRID)

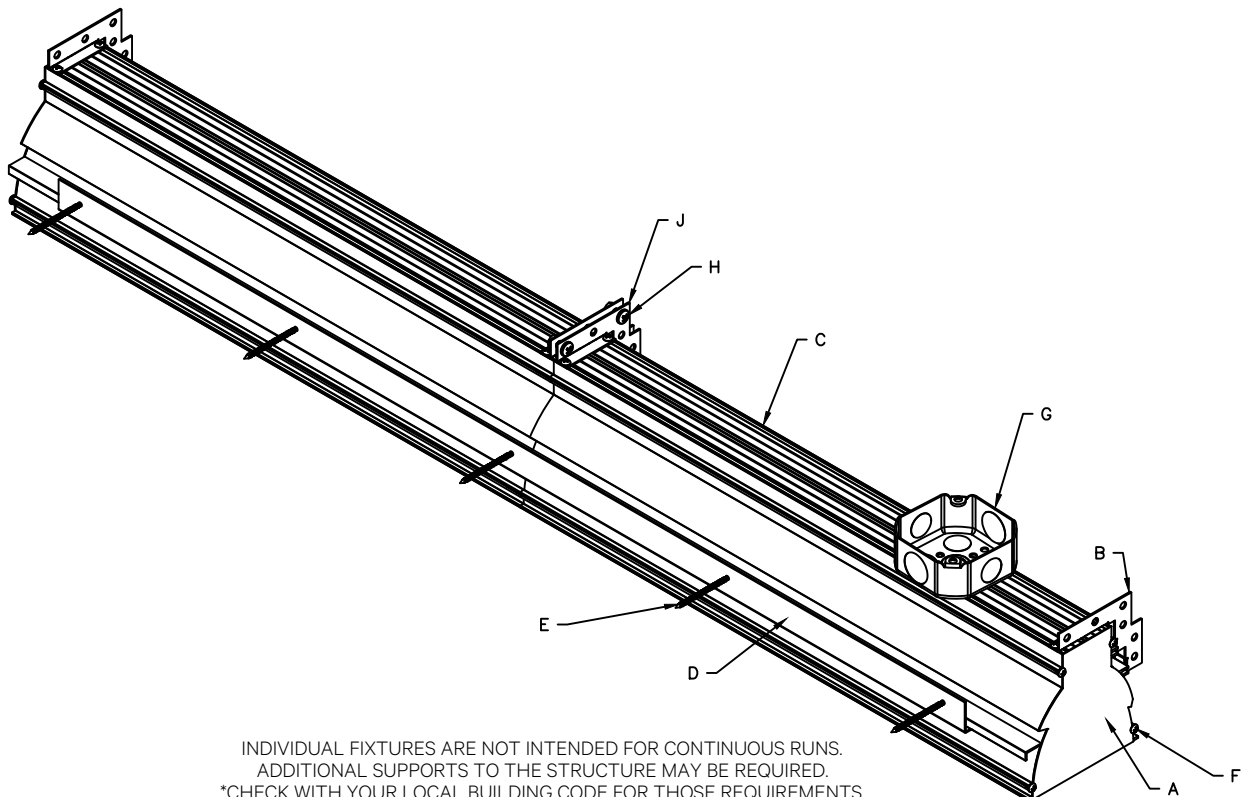


**PART LIST**

- A-End Plate
- B-Mounting Bracket
- C-Extrusion
- D-Support Bracket
- E-Drywall Screw (By Others)
- F-8-32 Screw
- G-Wiring Box
- H-1/4-20 Screw
- J-Connecting Bracket

NOTE: WE RECOMMEND THAT THE FIXTURE BE INSTALLED BEFORE THE CEILING IS ESPECIALLY IF IT IS SHEET ROCK.

**ISOMETRIC VIEW**

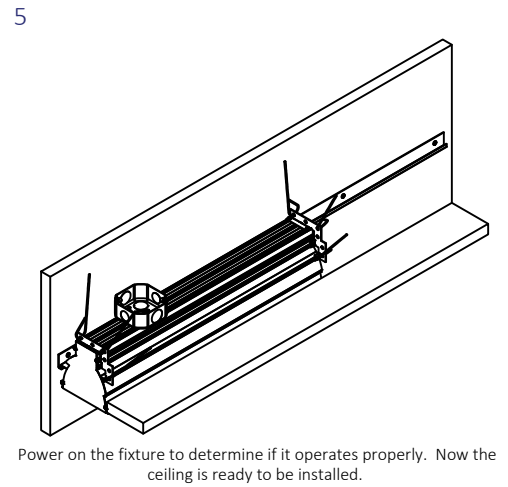
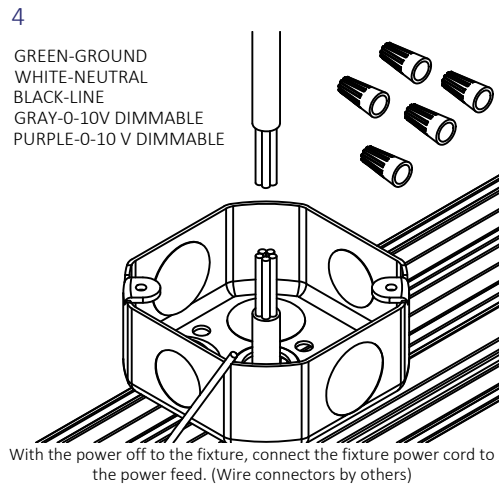
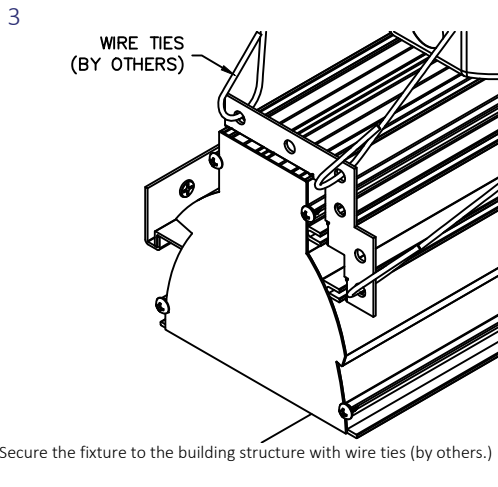
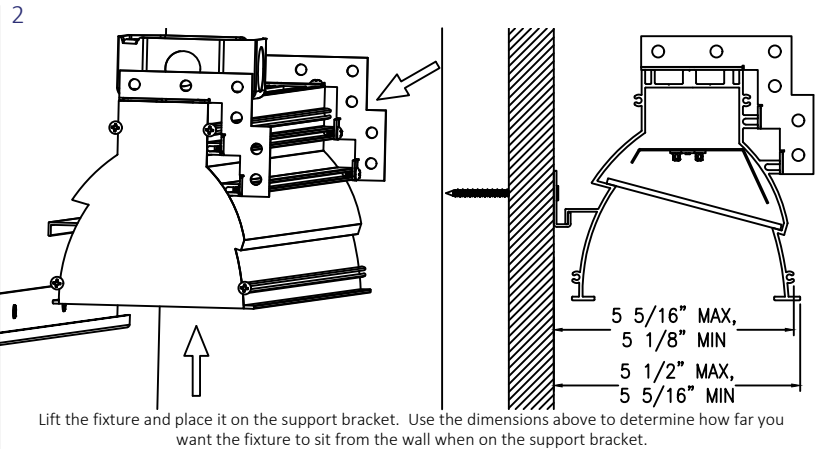
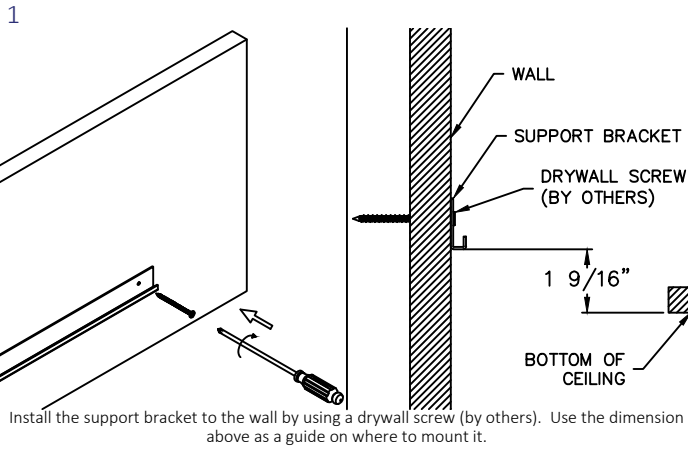


INDIVIDUAL FIXTURES ARE NOT INTENDED FOR CONTINUOUS RUNS.  
ADDITIONAL SUPPORTS TO THE STRUCTURE MAY BE REQUIRED.  
\*CHECK WITH YOUR LOCAL BUILDING CODE FOR THOSE REQUIREMENTS.

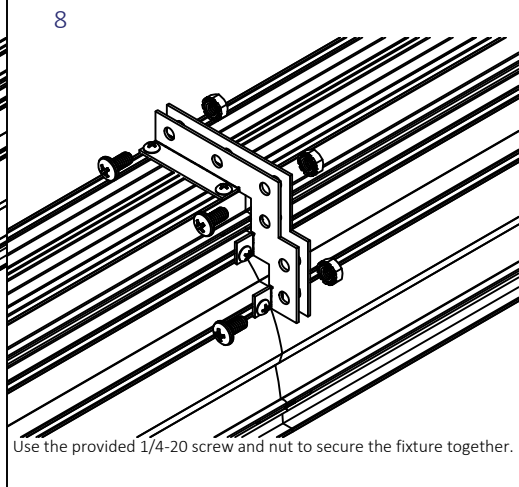
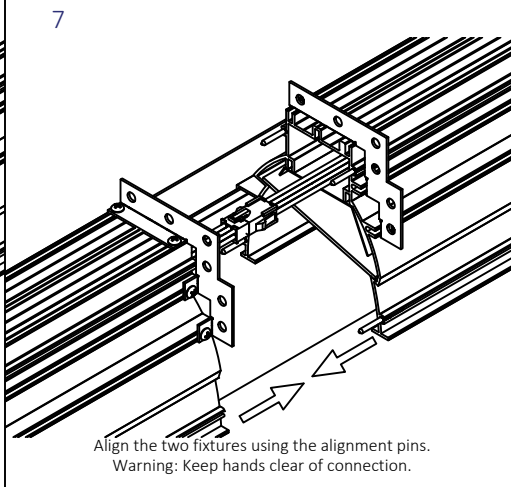
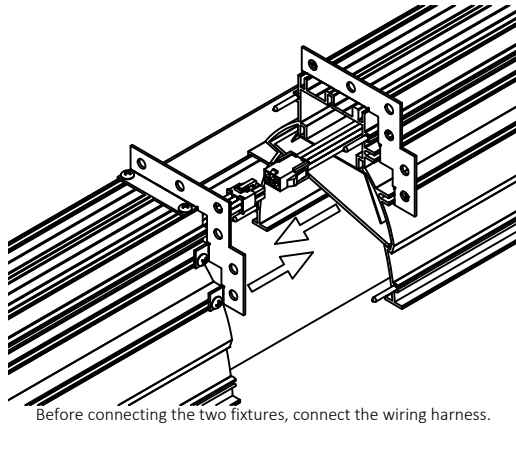
INSTALLATION GUIDE-PERIMETER



Risk of fire and electrical shock. In accordance with national local building and electrical codes, CORONET lighting fixtures must be installed by a qualified electrician. Disconnect power at electrical panel before servicing.



6 Continuous Rows

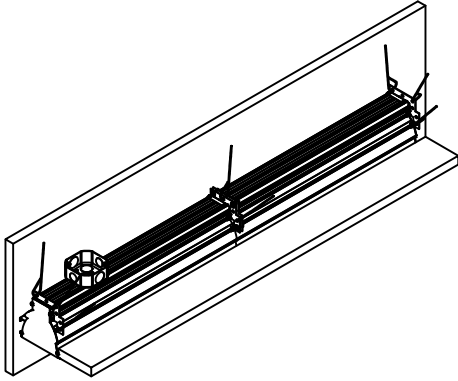


INDIVIDUAL FIXTURES ARE NOT INTENDED FOR CONTINUOUS RUNS.  
ADDITIONAL SUPPORTS TO THE STRUCTURE MAY BE REQUIRED.  
\*CHECK WITH YOUR LOCAL BUILDING CODE FOR THOSE REQUIREMENTS.



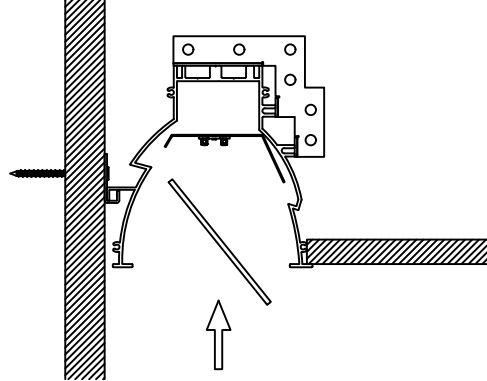
Risk of fire and electrical shock. In accordance with national local building and electrical codes, CORONET lighting fixtures must be installed by a qualified electrician. Disconnect power at electrical panel before servicing.

9



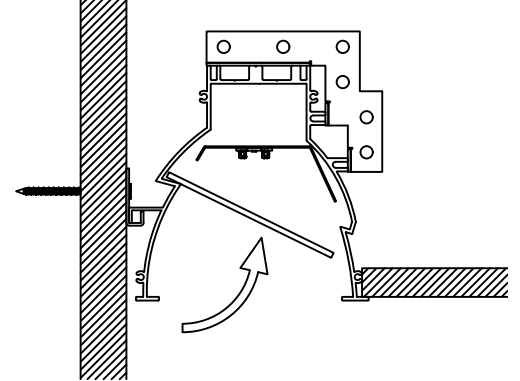
Repeat steps 3-5 to finish installing your fixture. Check that the fixture operates properly after connecting them.

10



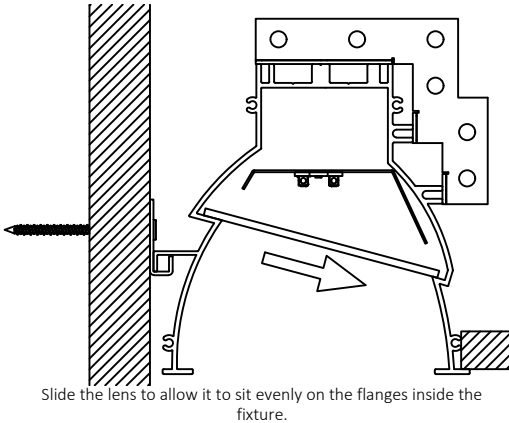
To install the recess lens, lift the lens at an angle to it's resting point in the fixture.

11



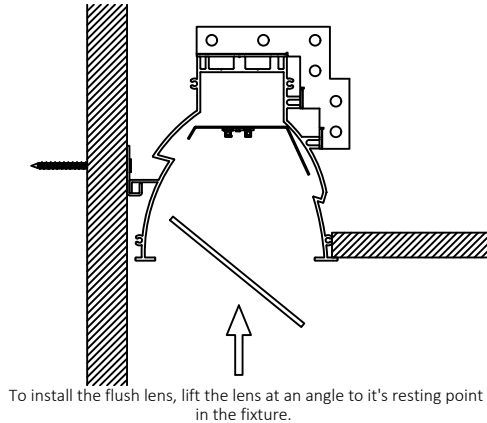
Rotate the lens to allow the lens to sit in it's place in the fixture.

12



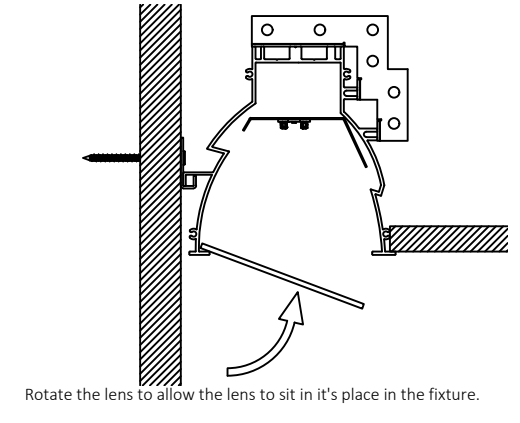
Slide the lens to allow it to sit evenly on the flanges inside the fixture.

13



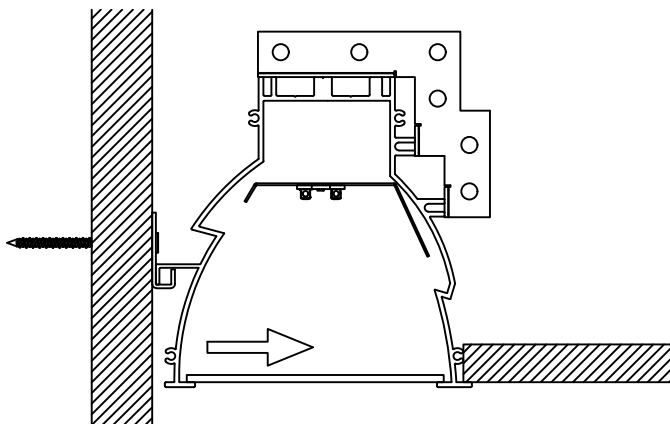
To install the flush lens, lift the lens at an angle to it's resting point in the fixture.

14



Rotate the lens to allow the lens to sit in it's place in the fixture.

15



Slide the lens to allow it to sit evenly on the flanges inside the fixture.

**GENERAL INSTALLATION CONSIDERATIONS** - See submittal drawings for job specific data.

Operating Temperature.....-40°C to 50°C  
 Operating Voltage.....110VAC-277VAC, 50Hz-60Hz  
 Weight.....lb/ft  
 Dimensions.....See submittal drawings

- Installation by a certified electrician only.
- Read and understand the installation instructions before attempting to install or use the fixture.
- Only use fixtures with voltage for which it is rated. Do not exceed the specified voltage and current input.
- Do not use the fixture if the housing, lens, or power cable is damaged.
- Ensure that the main power supply is off before installing or wiring the fixture.
- Method of wire connection to be determined by local electrical codes and regulations.
- The external flexible cable of this luminaire cannot be field replaced; if the cord is damaged, contact Coronet.
- The light source contained in this luminaire shall only be replaced by the lighting manufacturer or his service agent or a similar qualified person.

Please contact our technical support team for assistance.

INDIVIDUAL FIXTURES ARE NOT INTENDED FOR CONTINUOUS RUNS.  
 ADDITIONAL SUPPORTS TO THE STRUCTURE MAY BE REQUIRED.

\*CHECK WITH YOUR LOCAL BUILDING CODE FOR THOSE REQUIREMENTS.