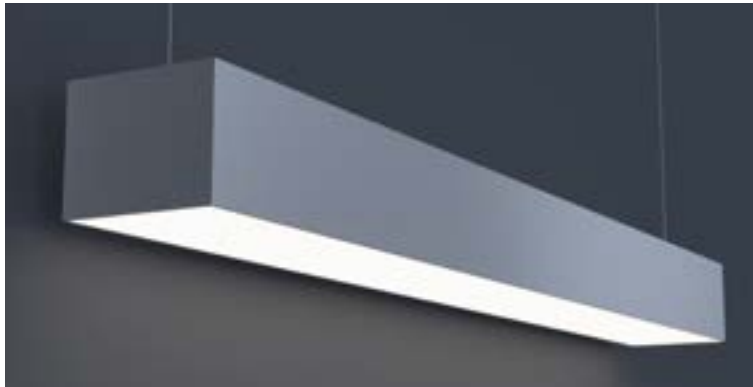


DATE _____ PROJECT _____ FIRM _____ TYPE _____



Linear luminaire with 6" aperture. For use in indoor applications where an LED luminaire providing continuous light is required. Suspended, surface or wall mount installation. For custom mounting consult factory.

FEATURES

- Available In Made To Measure Lengths Accurate Up To 1/16"
- Patterns Available (See Page 2)
- Damp Location Rated
- CRI 90+ Standard; R9>50
- 5 Year, 50,000 Hour Fixture Warranty
- 2700K, 3000K, 3500K, 4000K & 5000K Color Temperatures Available
- Available with PoE

APPLICATIONS Offices, Lobbies, Retail Stores, Classrooms, Reception Areas & Corridors

CONSTRUCTION Extruded Aluminum Housing with Steel End Caps. Formed Steel Gear Tray

OPTICS Extruded High Transmission Satin Acrylic Lens with No LED Imaging

WARRANTY 5 Year Limited Warranty (Covers Standard Components)

FINISH Standard Powder-Coated White. Custom RAL Colors Available

FIXTURE RATINGS & CERTIFICATIONS Union Made ETL Listed Made In The USA Damp Location Rated



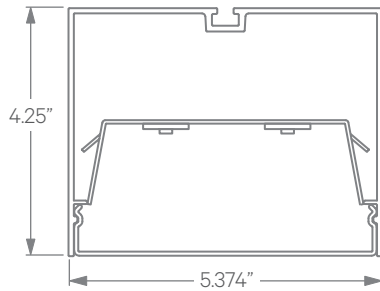
DRIVERS & SENSORS

For Wiring Diagrams and Sensor Information Click [Here](#)



ELECTRICAL Integral Driver with 0-10V Dimming Standard. Several Driver Options Available

EXTRUSION DIMENSIONS



LED SYSTEM INFORMATION

	Nominal System Watts	Nominal Delivered Lumens	Nominal Efficacy
Standard (LTG1)	9 W/ft	840 lm/ft	93 LPW
Low (LTG2)	6.5 W/ft	615 lm/ft	95 LPW
High (LTG3)	13 W/ft	1,300 lm/ft	90 LPW

Based on a 3500K luminaire using one driver. Custom outputs available; specify below.

ORDERING

1 2 3 4 5 6 7 8 9 10

- | | | | | | |
|---|---|---|---|---|--|
| <p>1 - FIXTURE ID</p> <p>LS6 LED</p> | <p>2 - LENGTH</p> <p>2 - 2 ft
4 - 4 ft
8 - 8 ft
X'-X" - Specify Length
PAT - Pattern
(Consult Factory)</p> | <p>3 - COLOR TEMP</p> <p>27 - 2700K/90 CRI
30 - 3000K/90 CRI
35 - 3500K/90 CRI
40 - 4000K/90 CRI
50 - 5000K/90 CRI
TW* - Tunable White
RGBW** - RGB + 3000K
*Must use DMX or TW10 Driver
**Must use DMX Driver</p> | <p>4 - LED SYSTEM</p> <p>LTG1 - Standard
LTG2 - Low
LTG3 - High
LTGC - Custom Output</p> | <p>5 - VOLTAGE</p> <p>UNV - Universal
(120/277V)</p> | <p>6 - DRIVER</p> <p>DB - Standard Dimming (0-10V)
DB1% - 1% Dimming (0-10V)
DB.1% - 0.1% Dimming (0-10V)
LTEA - Lutron 2-wire 1% Dimming (120V only)
LDE1 - Lutron Digital EcoSystem
LDE5 - 5 Series EcoSystem; 5% Dimming
PoE - Power over Ethernet. Consult Factory for Compatibility
DMX - For Color Tuning and RGBW (Remote)
TW10 - Dual Channel, 0-10V For Color Tuning (CCT and Intensity Control)</p> |
|---|---|---|---|---|--|

- | | | | |
|---|---|---|---|
| <p>7 - FINISH</p> <p>W - White (Standard)
BLK* - Black
CC* - Custom Color
(provide RAL#)
*White cord and canopy provided. Must specify for other requests.</p> | <p>8 - MOUNTING</p> <p>AC - Air Craft Cable (50")
SM - Surface Mount
WM - Wall Mount
*For Perimeter Mount see LSR6 spec sheet.</p> | <p>9 - CONTROL (Optional)</p> <p>EIS - Enlighted Sensor
WISD - Wattstopper Daylight Sensor
WISM - Wattstopper Occupancy Sensor
SLS - SensiLUM Sensor
ACS - Acuity Controls nLight System
CCS - Casambi Compatible
ECS - Eaton WaveLinX System
*For other control systems not listed consult factory.</p> | <p>10 - OTHER OPTIONS</p> <p>EM 120V - Emergency Pack
EM 277V - Emergency Pack
EMCKT - Emergency Circuit</p> |
|---|---|---|---|

Updated: 05/17/2019

DATE

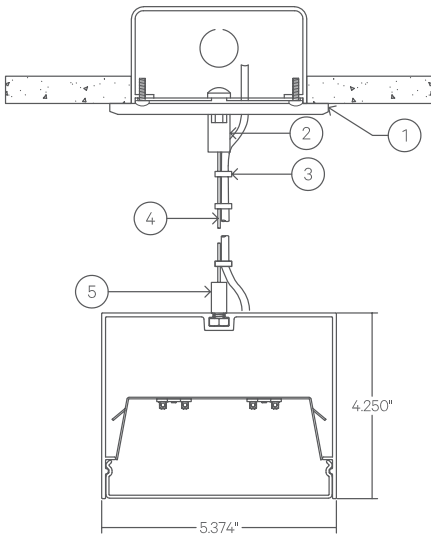
PROJECT

FIRM

TYPE

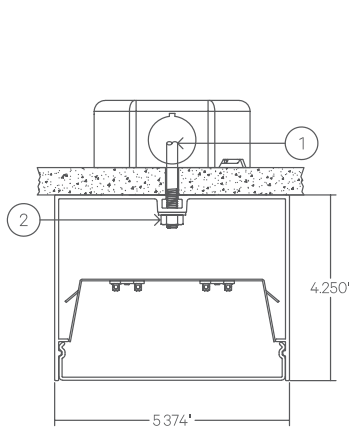
MOUNTING OPTIONS

AC - Air Craft Cable (50")



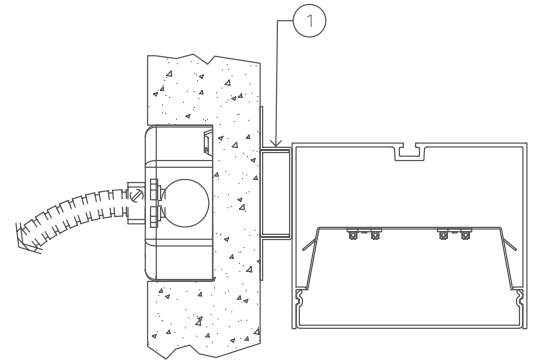
- 1 - 5" Round Canopy (Standard White Finish)
- 2 - Canopy Retainer
- 3 - SJT Cord (Standard White)
- 4 - Air Craft Cable
- 5 - Gripper

SM - Surface Mount



- 1 - Threaded Rod (not supplied)
- 2 - 1/4-20 Nut (not supplied)

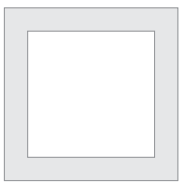
WM - Wall Mount



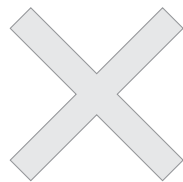
- 1 - 0.75" Wall Mount Bracket

PATTERNS

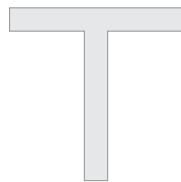
Patterns feature illuminated corners and angles. **Must consult factory for custom corners, patterns and elevations.**



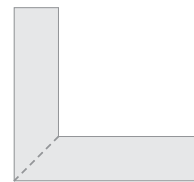
Square Patterns



X Patterns



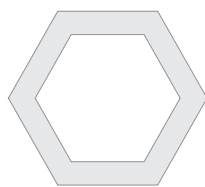
T Patterns



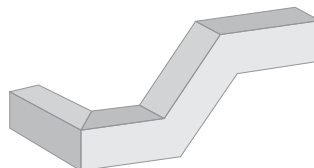
Mitered



Custom Angles



Custom Patterns



Custom Elevations

LENS CUT