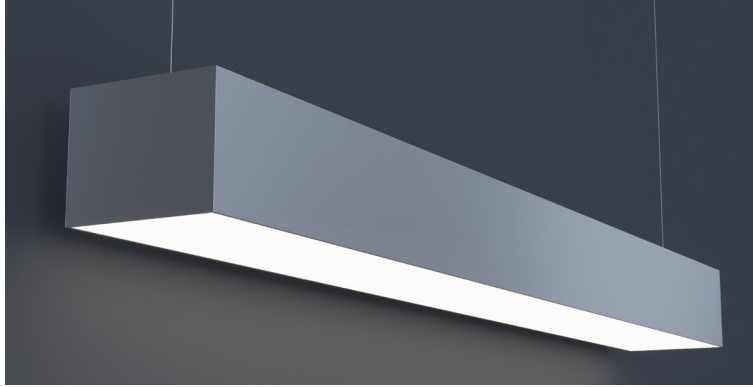


DATE	PROJECT	FIRM	TYPE
------	---------	------	------



Architectural luminaire with direct and indirect lighting. For use in indoor applications where an LED luminaire with 6" aperture providing continuous light is required. Suitable for suspended and wall mount installation.

FEATURES

- Available In Custom Lengths & Long Runs To 1/16" Accuracy
- Corners & Patterns Available (See Page 2)
- Damp Location Rated
- CRI 90+ Standard
- 2700K, 3000K, 3500K, 4000K & 5000K Color Temperatures Available
- Enlighted/Wattstopper Sensors Available

APPLICATIONS Offices, Lobbies, Retail Stores, Classrooms, Reception Areas & Corridors

CONSTRUCTION Extruded Aluminum Housing And Steel End Caps. Formed Steel Gear Tray

OPTICS Extruded High Transmission Satin Acrylic Lens With No LED Imaging

WARRANTY 5 Year Limited Warranty (Covers Standard Components)

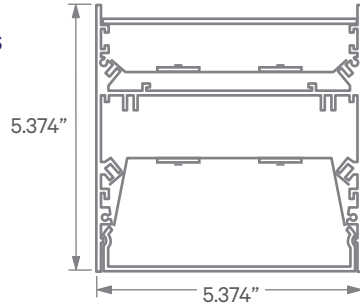
FINISH Standard Powder-Coated White. Custom RAL Colors Available

FIXTURE RATINGS & CERTIFICATIONS Union Made Made In The USA
ETL Listed Damp Location Rated



ELECTRICAL Integral Driver With 0-10V 10% Dimming Standard. Several Driver Options Available. See Below For Lutron Dimming Information

EXTRUSION DIMENSIONS



LED SYSTEM INFORMATION

	Nominal System Watts		Nominal Delivered Lumens		Nominal Efficacy	
	DIRECT	INDIRECT	DIRECT	INDIRECT	DIRECT	INDIRECT
Standard (LTG1)	9.5 W/ft	9.5 W/ft	860 Lm/ft	885 Lm/ft	91 Lm/ft	93 Lm/ft
Low (LTG2)	6.5 W/ft	6.5 W/ft	600 Lm/ft	620 Lm/ft	93 Lm/ft	95 Lm/ft
High (LTG3)	13 W/ft	13 W/ft	1,300 Lm/ft	1,200 Lm/ft	90 Lm/ft	92 Lm/ft

Based on a 3500K luminaire using one driver. Please consult factory for custom lumen outputs & wattage.



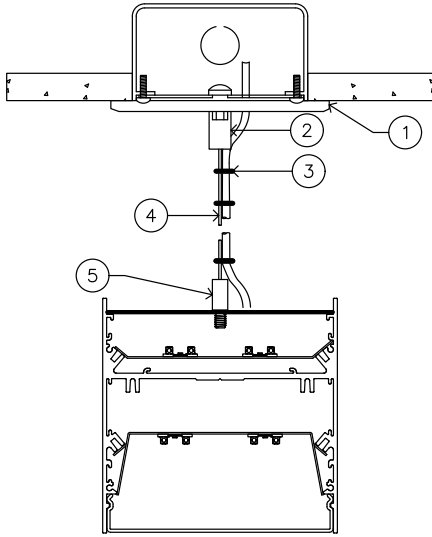
1 - FIXTURE ID LS6 LED UP/DN	2 - LENGTH 2 - 2 ft 4 - 4 ft 8 - 8 ft x'-x" - Custom (specify length) **Patterns available consult factory	3 - COLOR TEMP 27 - 2700K/90 CRI 30 - 3000K/90 CRI 35 - 3500K/90 CRI 40 - 4000K/90 CRI 50 - 5000K/90 CRI TW* - Tunable White RGBW* - RGB + 3000K *Must use DMX Driver (Remote)	4 - LED SYSTEM IN - INDIRECT LTG1 - Standard LTG2 - Low LTG3 - High C - Custom Output (ie-C550Lm/ft)	5 - VOLTAGE D - DIRECT LTG1 - Standard LTG2 - Low LTG3 - High C - Custom Output (ie-C550Lm/ft)	6 - DRIVER UNV - Universal (120/277V) DB - Standard 10% Dimming (0-10V) DB1% - 1% Dimming (0-10V) DB.01% - .01% Dimming (0-10V) LTEA - Lutron 2-wire 1% Dimming L3DA - Lutron 3-wire 1% Dimming LDE1 - Lutron Digital EcoSystem LDE5 - 5 Series EcoSystem; 5% Dimming DMX - For Color Tuning and RGBW
--	--	---	--	--	---

7 - FINISH W - White (Standard) CC - Custom Color (provide RAL#)	8 - MOUNTING AC - Aircraft Cable (50") WM - Wall Mount	9 - OPTICS IN - INDIRECT SD - Standard Diffuser	10 - CONTROL (Optional) D - DIRECT SD - Standard Diffuser EIS - Integral Sensor by Enlighted WIS - Integral Sensor by Wattstopper	11 - CIRCUIT DC - Dual Circuit EM 120V - Emergency Pack EM 277V - Emergency Pack
---	---	--	--	--

DATE	PROJECT	FIRM	TYPE
------	---------	------	------

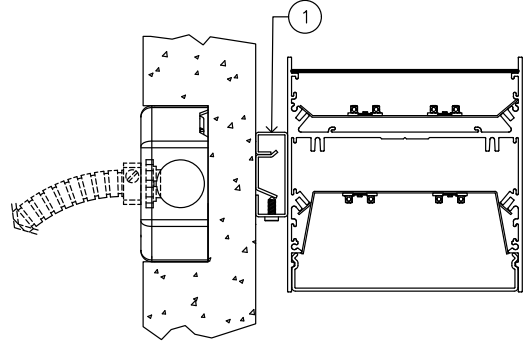
MOUNTING OPTIONS

AC - Air Craft Cable (50")



- 1 - 5" Round Canopy (Standard White Finish)
- 2 - Canopy Retainer
- 3 - S-JT Cord (Standard White)
- 4 - Air Craft Cable
- 5 - Gripper

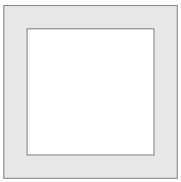
WM - Wall Mount



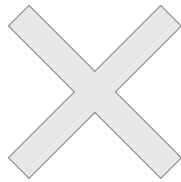
- 1 - 0.75" Wall Mount Bracket

CORNERS & PATTERNS

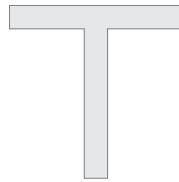
Available with illuminated corners, angles, and custom patterns. **Must consult factory for custom corners, patterns and elevations.**



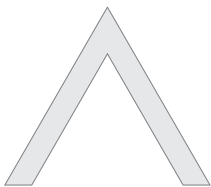
Square Patterns



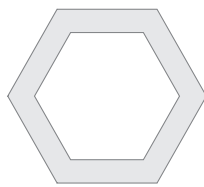
X Patterns



T Patterns



Custom Angles



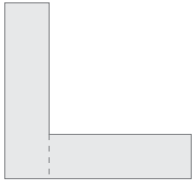
Custom Patterns



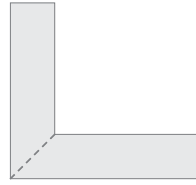
Custom Elevations

DATE	PROJECT	FIRM	TYPE
------	---------	------	------

LENS CUT OPTIONS



Straight-cut



Mitered Angle

NOTE: Straight-Cut is standard configuration, Mitered Angle is optional and must be specified.