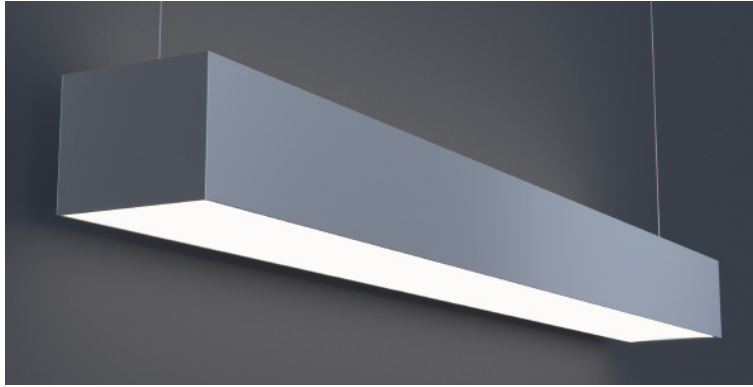




DATE \_\_\_\_\_ PROJECT \_\_\_\_\_ FIRM \_\_\_\_\_ TYPE \_\_\_\_\_



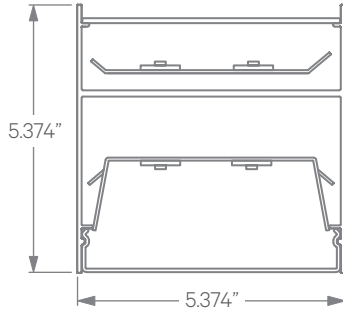
Architectural luminaire with direct and indirect lighting. For use in indoor applications where an LED luminaire with 6" aperture providing continuous light is required. Suitable for suspended and wall mount installation.

### FEATURES

- Available In Made To Measure Lengths Accurate Up To 1/16"
- Patterns Available (See Page 2)
- Damp Location Rated
- CRI 90+ Standard
- 5 Year, 50,000 Hour Fixture Warranty
- 2700K, 3000K, 3500K, 4000K & 5000K Color Temperatures Available
- Available with PoE

<b>APPLICATIONS</b>	Offices, Lobbies, Retail Stores, Classrooms, Reception Areas & Corridors		
<b>CONSTRUCTION</b>	Extruded Aluminum Housing with Steel End Caps. Formed Steel Gear Tray	<b>OPTICS</b>	Extruded High Transmission Satin Acrylic Lens with No LED Imaging
<b>WARRANTY</b>	5 Year Limited Warranty (Covers Standard Components)	<b>FINISH</b>	Standard Powder-Coated White. Custom RAL Colors Available
<b>FIXTURE RATINGS &amp; CERTIFICATIONS</b>	Union Made ETL Listed	Made In The USA Damp Location Rated	 
<b>ELECTRICAL</b>	Integral Driver with 0-10V 10% Dimming Standard. Several Driver Options Available		

### EXTRUSION DIMENSIONS



### LED SYSTEM INFORMATION

	Nominal System Watts		Nominal Delivered Lumens		Nominal Efficacy
	DIRECT	INDIRECT	DIRECT	INDIRECT	
Standard (LTG1)	9.5 W/ft	9.5 W/ft	860 lm/ft	885 lm/ft	91 LPW
Low (LTG2)	6.5 W/ft	6.5 W/ft	600 lm/ft	620 lm/ft	93 LPW
High (LTG3)	13 W/ft	13 W/ft	1,300 lm/ft	1,200 lm/ft	90 LPW

Based on a 3500K luminaire using one driver. Custom outputs available; specify below.

**ORDERING**

1 2 3 4-INDIRECT 4-DIRECT 5 6 7 8 9 10

<b>1 - FIXTURE ID</b> LS6 LED UPDN	<b>2 - LENGTH</b> 2 - 2 ft 4 - 4 ft 8 - 8 ft X'-X" - Specify Length PAT - Pattern (Consult Factory)	<b>3 - COLOR TEMP</b> 27 - 2700K/90 CRI 30 - 3000K/90 CRI 35 - 3500K/90 CRI 40 - 4000K/90 CRI 50 - 5000K/90 CRI TW* - Tunable White RGBW** - RGB + 3000K *Must use DMX or TW10 Driver **Must use DMX Driver	<b>4 - LED SYSTEM</b> <b>IN-INDIRECT</b> LTG1 - Standard LTG2 - Low LTG3 - High LTGC - Custom Output	<b>D - DIRECT</b> LTG1 - Standard LTG2 - Low LTG3 - High LTGC - Custom Output	<b>5 - VOLTAGE</b> UNV - Universal (120/277V)	<b>6 - DRIVER</b> DB - Standard 10% Dimming (0-10V) DB1% - 1% Dimming (0-10V) DB.01% - .01% Dimming (0-10V) LTEA - Lutron 2-wire 1% Dimming LDE1 - Lutron Digital EcoSystem LDE5 - 5 Series EcoSystem; 5% Dimming PoE - Power over Ethernet. Consult Factory for Compatibility DMX - For Color Tuning and RGBW TW10 - Dual Channel, 0-10V For Color Tuning (CCT and Intensity Control)
<b>7 - FINISH</b> W - White (Standard) BLK* - Black CC* - Custom Color (provide RAL#)  *White cord and canopy provided. Must specify for other requests.	<b>8 - MOUNTING</b> AC - Air Craft Cable (50") WM - Wall Mount	<b>9 - CONTROL (Optional)</b> EIS - Enlighted Sensor WISD - Wattstopper Daylight Sensor WISM - Wattstopper Occupancy Sensor SLS - SensiLUM Sensor ACS - Acuity Controls nLight System CCS - Casambi Compatible ECS - Eaton WaveLinX System  *For other control systems not listed consult factory.	<b>10 - CIRCUIT (Optional)</b> DC - Dual Circuit (Separate Up/Dn Control) EM 120V - Emergency Pack EM 277V - Emergency Pack			

Updated: 03/08/2019

DATE

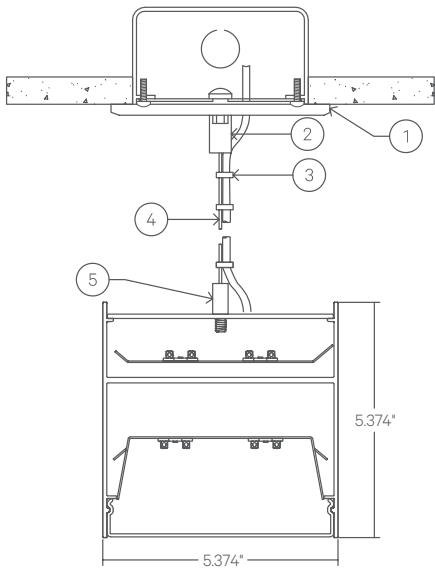
PROJECT

FIRM

TYPE

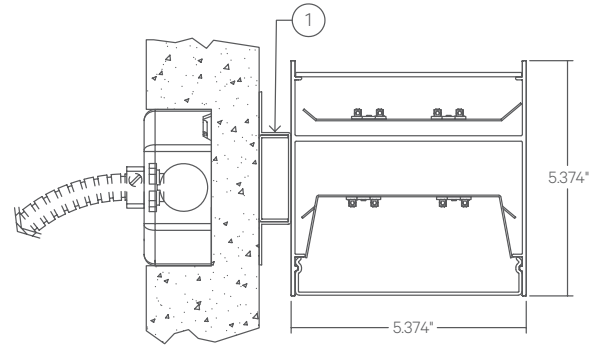
### MOUNTING OPTIONS

#### AC - Air Craft Cable (50")



- 1 - 5" Round Canopy (Standard White Finish)
- 2 - Canopy Retainer
- 3 - S-JT Cord (Standard White)
- 4 - Air Craft Cable
- 5 - Gripper

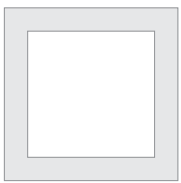
#### WM - Wall Mount



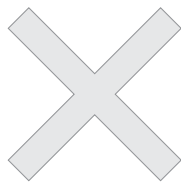
- 1 - 0.75" Wall Mount Bracket

### PATTERNS

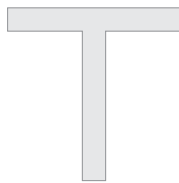
Patterns feature illuminated corners and angles. **Must consult factory for custom corners, patterns and elevations.**



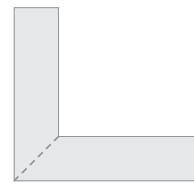
Square Patterns



X Patterns



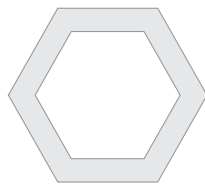
T Patterns



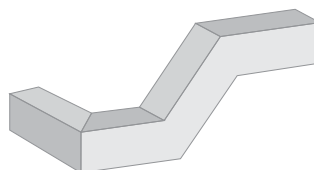
Mitered



Custom Angles



Custom Patterns



Custom Elevations

### LENS CUT

Updated: 03/08/2019