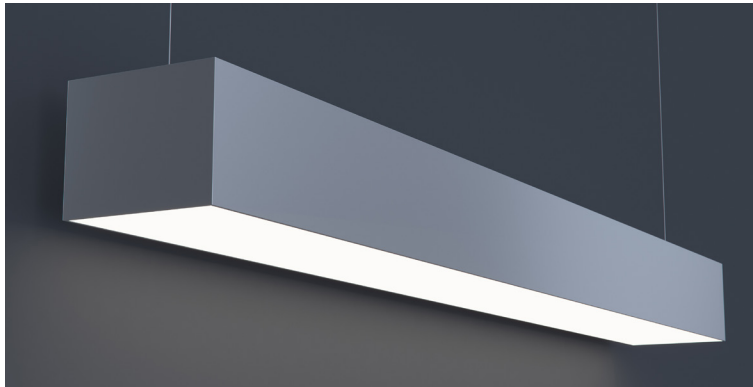


DATE _____ PROJECT _____ FIRM _____ TYPE _____



Linear luminaire with 6" aperture. For use in indoor applications where an LED luminaire providing continuous light is required. Suspended, surface or wall mount installation. For custom mounting consult factory.

FEATURES

- Available In Made To Measure Lengths Accurate Up To 1/16"
- Patterns Available (See Page 2)
- Damp Location Rated
- CRI 90+ Standard
- 5 Year, 50,000 Hour Fixture Warranty
- 2700K, 3000K, 3500K, 4000K & 5000K Color Temperatures Available
- Available with PoE

APPLICATIONS Offices, Lobbies, Retail Stores, Classrooms, Reception Areas & Corridors

CONSTRUCTION Extruded Aluminum Housing with Steel End Caps. Formed Steel Gear Tray

OPTICS Extruded High Transmission Satin Acrylic Lens with No LED Imaging

WARRANTY 5 Year Limited Warranty (Covers Standard Components)

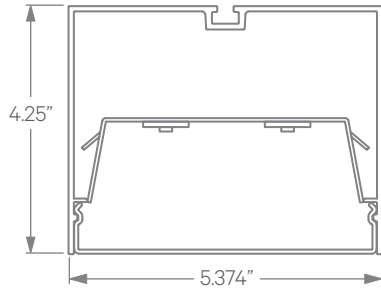
FINISH Standard Powder-Coated White. Custom RAL Colors Available

FIXTURE RATINGS & CERTIFICATIONS Union Made ETL Listed Made In The USA Damp Location Rated



ELECTRICAL Integral Driver with 0-10V 10% Dimming Standard. Several Driver Options Available

EXTRUSION DIMENSIONS



LED SYSTEM INFORMATION

	Nominal System Watts	Nominal Delivered Lumens	Nominal Efficacy
Standard (LTG1)	9 W/ft	840 lm/ft	93 LPW
Low (LTG2)	6.5 W/ft	615 lm/ft	95 LPW
High (LTG3)	13 W/ft	1,300 lm/ft	90 LPW

Based on a 3500K luminaire using one driver. Custom outputs available; specify below.

ORDERING



<p>1 - FIXTURE ID</p> <p>LS6 LED</p>	<p>2 - LENGTH</p> <p>2 - 2 ft 4 - 4 ft 8 - 8 ft X'-X" - Specify Length PAT - Pattern (Consult Factory)</p>	<p>3 - COLOR TEMP</p> <p>27 - 2700K/90 CRI 30 - 3000K/90 CRI 35 - 3500K/90 CRI 40 - 4000K/90 CRI 50 - 5000K/90 CRI TW* - Tunable White RGBW** - RGB+3000K *Must use DMX or TW10 Driver **Must use DMX Driver</p>	<p>4 - LED SYSTEM</p> <p>LTG1 - Standard LTG2 - Low LTG3 - High LTGC - Custom Output</p>	<p>5 - VOLTAGE</p> <p>UNV - Universal (120/277V)</p>	<p>6 - DRIVER</p> <p>DB - Standard 10% Dimming (0-10V) DB1% - 1% Dimming (0-10V) DB.01% - .01% Dimming (0-10V) LTEA - Lutron 2-wire 1% Dimming LDE1 - Lutron Digital EcoSystem LDE5 - 5 Series EcoSystem; 5% Dimming PoE - Power over Ethernet. Consult Factory for Compatibility DMX - For Color Tuning and RGBW TW10 - Dual Channel, 0-10V For Color Tuning (CCT and Intensity Control)</p>	<p>7 - FINISH</p> <p>W - White (Standard) BLK* - Black CC* - Custom Color (provide RAL#)</p> <p>*White cord and canopy provided. Must specify for other requests.</p>	<p>8 - MOUNTING</p> <p>AC - Air Craft Cable (50") SM - Surface Mount WM - Wall Mount</p> <p>*For Perimeter Mount see LSR6 spec sheet.</p>	<p>9 - CONTROL (Optional)</p> <p>EIS - Enlighted Sensor WISD - Wattstopper Daylight Sensor WISM - Wattstopper Occupancy Sensor SLS - SensiLUM Sensor ACS - Acuity Controls nLight System CCS - Casambi Compatible ECS - Eaton WaveLinX System</p> <p>*For other control systems not listed consult factory.</p>	<p>10 - CIRCUIT (Optional)</p> <p>EM 120V - Emergency Pack EM 277V - Emergency Pack</p>
--	---	---	---	---	--	--	--	--	--

DATE

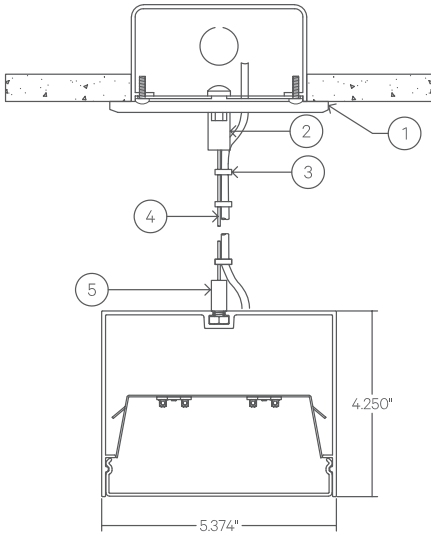
PROJECT

FIRM

TYPE

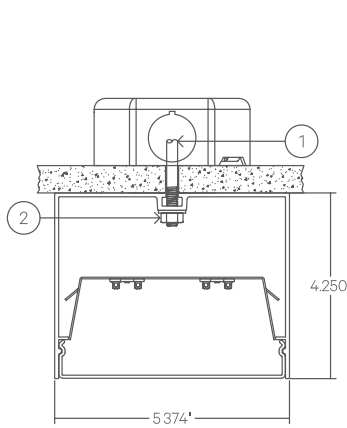
MOUNTING OPTIONS

AC - Air Craft Cable (50")



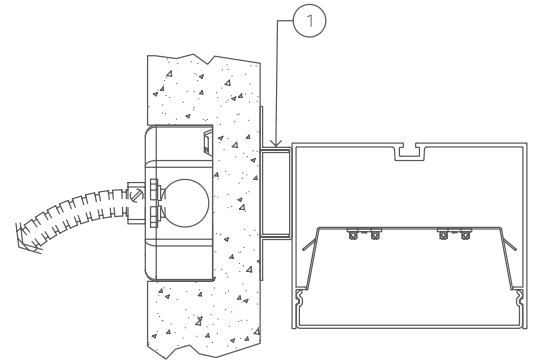
- 1 - 5" Round Canopy (Standard White Finish)
- 2 - Canopy Retainer
- 3 - SJT Cord (Standard White)
- 4 - Air Craft Cable
- 5 - Gripper

SM - Surface Mount



- 1 - Threaded Rod (not supplied)
- 2 - 1/4-20 Nut (not supplied)

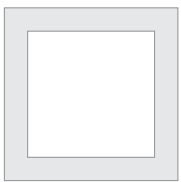
WM - Wall Mount



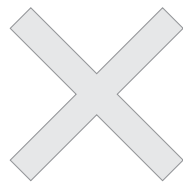
- 1 - 0.75" Wall Mount Bracket

PATTERNS

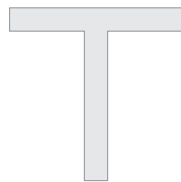
Patterns feature illuminated corners and angles. **Must consult factory for custom corners, patterns and elevations.**



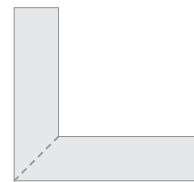
Square Patterns



X Patterns



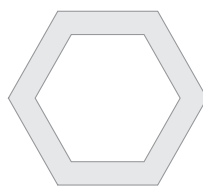
T Patterns



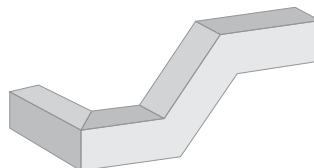
Mitered



Custom Angles



Custom Patterns



Custom Elevations

LENS CUT