

# LS4 regressed direct

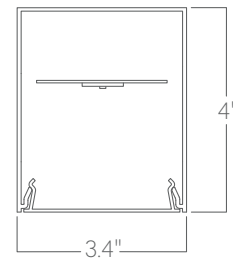


The LS Series of architectural luminaires offers a wide range of profiles and mounting options. Custom lengths and patterns are tailored to suit any modern space.

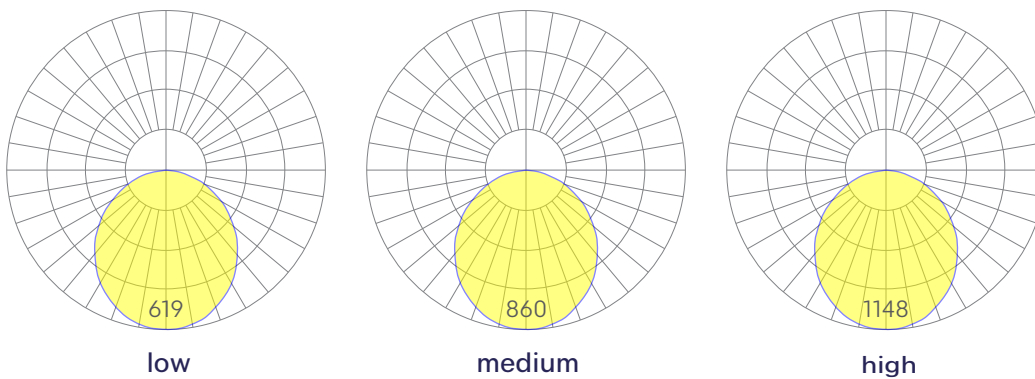
## Features

- Extruded recycled aluminum housing
- Aluminum core LED boards, specifiable optics
- Specifiable color temperature. CRI > 90, R9 >50
- Custom lengths, welded patterns, and finishes available
- Integral specifiable dimmable drivers or PoE
- 5 Year, 50,000 hour warranty
- WELL Building Standard compatible [learn more](#)

## Dimensions



## Optics



Representative distribution and peak candela. For other options see order information or IES files [here](#).

# LS4 regressed direct

## Ordering Information



Example: LS4RG - 8 - 35 - MED - UNV - DB - W - AC - FL - CCS - DAYCKT - NA

| Fixture ID                                      | 1 | Length   | 2   | Color Temperature   | 3  | Output  | 4  |
|---|---|--|---|---|----|---|----|
| LS4RG   |   | <b>2</b> 2 ft<br><b>4</b> 4 ft<br><b>8</b> 8 ft<br><b>X'-X"</b> Specify Length<br><b>PAT</b> Pattern (Consult Factory)   |   | <b>27</b> 2700K/90 CRI<br><b>30</b> 3000K/90 CRI<br><b>35</b> 3500K/90 CRI<br><b>40</b> 4000K/90 CRI<br><b>50</b> 5000K/90 CRI<br><br><b>WD</b> <sup>1</sup> Warm Dim 2200K–3000K<br><b>TW</b> <sup>2</sup> Tunable White 2700K–6500K<br><b>RGBW30</b> <sup>3</sup> RGB +white, 3000k<br><b>RGBW35</b> <sup>3</sup> RGB +white, 3500k<br><b>RGBW40</b> <sup>3</sup> RGB +white, 4000k |    | <b>LOW</b> Low output<br><b>MED</b> Medium output<br><b>HIGH</b> High output<br><b>CUST</b> Custom output <sup>1</sup>  |    |
|   |   | <sup>1</sup> Precision lengths may be specified to the nearest 1/8".   |   | <sup>1</sup> Must use WD10 driver.<br><sup>2</sup> Must use TW10 or PSQ driver.<br><sup>3</sup> Must use remote DMX driver. <b>"High" output not available.</b>   |    | <sup>1</sup> consult factory  |    |
| Voltage   | 5 | Driver   | 6   | Finish  | 7  | Mounting  | 8  |
| UNV 347V <sup>1</sup> Universal (120/277V) 347V |   | <b>DB</b> Standard 0-10V 1%<br><b>DB.1%</b> 0-10V 0.1%<br><b>ELV</b> 2-wire 1% (120V only)<br><b>TRI</b> Forward phase (120V only)<br><b>LDE1</b> Lutron Digital EcoSystem<br><b>JA8</b> JA8 compliant 1% dimming<br><b>DALI</b> DALI-2 Driver<br><b>PoE</b> Power over ethernet.<br><b>TW10</b> Dual channel, 0-10V for tunable white.<br><br><b>WD10</b> 0-10V Warm Dim<br><b>PSQ</b> Lutron T-Series 2-channel 1% for tunable white<br><b>DMX</b> <sup>1</sup> DMX512 |   | <b>W</b> White<br><b>BLK</b> Black<br><b>CC</b> <sup>1</sup> Custom Color<br><b>CWF</b> <sup>1</sup> Custom Wood Finish   |    | <b>AC</b> Aircraft Cable (50")<br><b>AC3.5</b> 3.5" canopy + jbox adaptor <sup>1</sup><br><b>SM</b> Surface Mount<br><b>WM</b> Wall Mount<br><b>PS-X</b> Pendant Stem (12", 18", 24", 36", 48") |    |
|   |   | <sup>1</sup> Must use DB Driver  | <sup>1</sup> Set to default address 001. RDM capable. Contact us for other addressing needs. All DMX drivers provided in remote enclosures. | <sup>1</sup> Custom Color. See finish options here.<br>White SJ cord and canopy provided, for other requests, see section 12 to specify.  |    | <sup>1</sup> Adaptor must be mudded-in<br>White stems and canopy provided unless otherwise specified in options (section 12).   |    |
| Optics  | 9 | Sensors/Controls   | 10  | Circuit   | 11 | Options   | 12 |
| FL Flat Diffuser                                |   | <b>NA</b> None<br><b>EIS</b> Enlighted sensor<br><b>WISM</b> Wattstopper occupancy sensor<br><b>WISD</b> Wattstopper daylight sensor<br><b>ACM</b> Acuity nLight module only<br><b>ACS</b> Acuity nLight sensor<br><b>CCS</b> Casambi module   |   | <b>NA</b> None<br><b>EM120V</b> Emergency Pack<br><b>EM277V</b> Emergency Pack<br><b>EMCKT</b> Emergency Circuit<br><b>DAYCKT</b> Daylight Circuit  |    | <b>NA</b> None<br><b>CAN-X</b> <sup>1</sup> Canopy + color<br><b>SJ-X</b> <sup>2</sup> SJ Cord + color  |    |
|   |   | Consult factory for other options.   |   |   |    | <sup>1</sup> White SJ cord and canopy provided, use above nomenclature for other requests.<br><sup>2</sup> See finish options here.   |    |

## Performance

| Output <sup>1</sup> | Watts/ft | Lumens/ft |
|---------------------|----------|-----------|
| Low                 | 5        | 425       |
| Medium              | 7        | 590       |
| High                | 10       | 844       |

<sup>1</sup>Based on a typically configured 90 CRI, 3500K luminaire using one driver.

Custom outputs available. Please consult factory.  
For 4000K multiply by 1.05; for 3000K 0.96; for 2700K, 0.92.

## Technical Information



click [here](#) or scan QR code

Wiring diagrams, PoE and sensor details

Modification date: April 2022

# LS4 regressed direct

## Drivers & Electrical

Integral drivers\* with 0-10V Dimming standard. Several other driver options available; see ordering information.

\*DMX drivers are provided in remote enclosures.

## Sensors & Controls

Sensors are installed on an aluminum plate adjacent to the luminaire lens<sup>1</sup>. Coronet remains agnostic in our approach to sensors and control systems; our fixtures are compatible with most systems offered.

<sup>1</sup>Not applicable to indirect only models. Consult factory.

## Emergency Back-Up

For fixtures three-feet or longer, a 4W integral emergency driver may be wired to 4ft sections. 7W, 10W, and 12W drivers are also available (not all integral; consult factory). Emergency circuits for use with building generators are also available.

## PoE (Power over Ethernet)

Compatible with virtually all PoE systems including Molex Coresync, Igor, Smartengine, Platformatics, and NuLED SPICEbox. Consult Factory for systems not listed, See [here](#) for more info.

## Finishes

All luminaires are finished in high quality polyester powder coating. Our standard color is white. Any RAL color may be specified.

## Weight

5 lbs per foot

## Patterns

Featuring illuminated welded corners and angles. Consult factory for custom designs and elevations.

## Optics

Extruded satin acrylic lenses provide excellent diffusion, high transmission, and no LED imaging.

## Construction

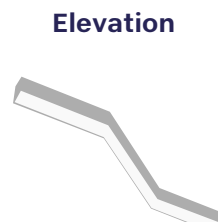
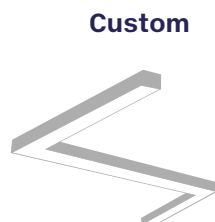
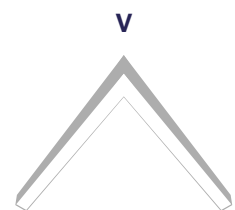
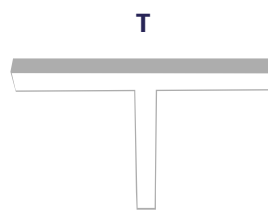
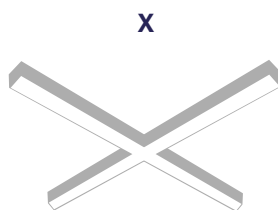
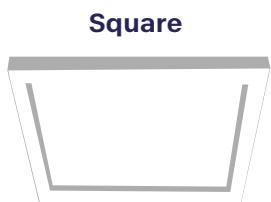
Housings are extruded premium, recycled aluminum. Individual fixtures are available up to 12' long and may be specified as nominal or precision lengths. Precision lengths are supplied within 1/8" tolerance.

## Joined Runs

Runs of any length may be specified and are comprised of multiple, factory-engineered, joined sections. Individually specified luminaires are not field joinable.



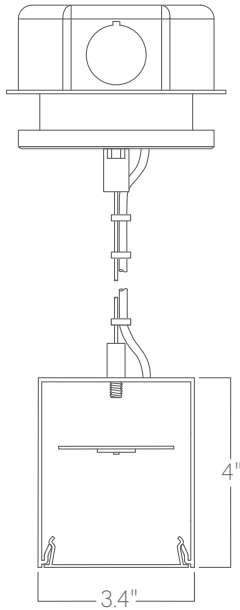
Representative joinery. For product specific details see installation guides or submittal drawings.



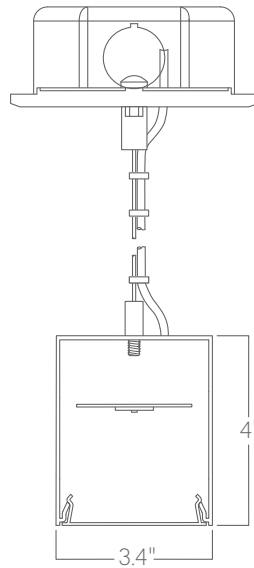
# LS4 regressed direct

## Mounting Options

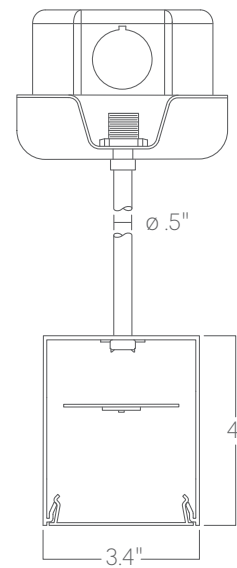
Custom mounting types and ceiling transitions available; consult factory.



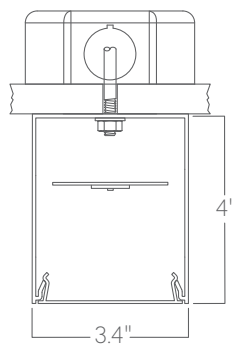
**Aircraft cable  
3.5" canopy**



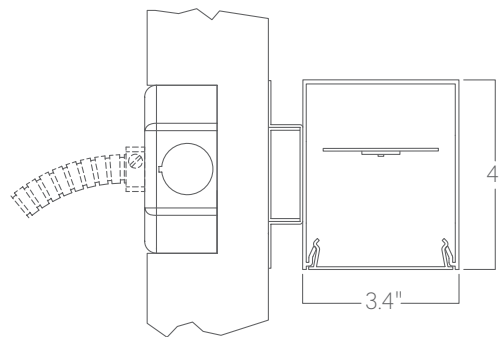
**Aircraft cable  
5" canopy**



**Pendant stem**



**Surface mount**



**Wall mount**