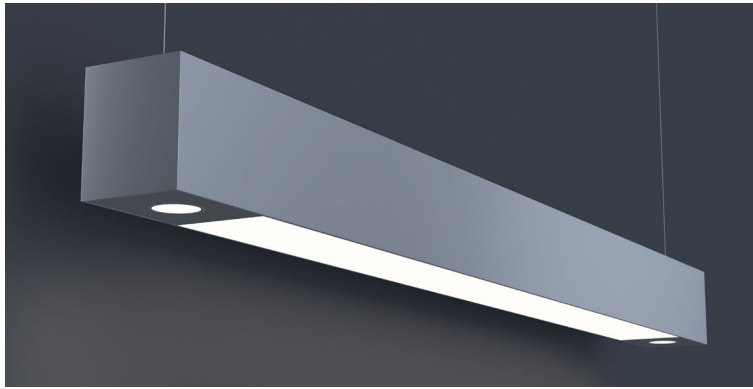


DATE \_\_\_\_\_ PROJECT \_\_\_\_\_ FIRM \_\_\_\_\_ TYPE \_\_\_\_\_



### FEATURES

- Available In Made To Measure Lengths Accurate Up To 1/16"
- Patterns Available (See Page 2)
- Damp Location Rated
- CRI 90+ Standard; R9>50
- 5 Year, 50,000 Hour Fixture Warranty
- 2700K, 3000K, 3500K, 4000K & 5000K Color Temperatures Available
- Available with PoE- [See More](#)

**APPLICATIONS** Offices, Lobbies, Retail Stores, Classrooms, Reception Areas, & Corridors

**FINISH** Standard Powder-Coated White. Custom RAL Colors Available

**CONSTRUCTION** Extruded Aluminum Housing with Die Cast Ends. Formed Steel Gear Tray

**OPTICS** Extruded High Transmission Satin Acrylic Lens with No LED Imaging. Accent Lighting Varies (See Page 3)



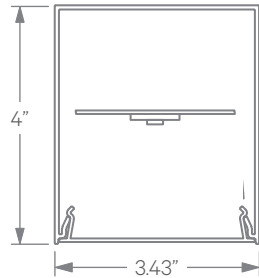
### DRIVERS, SENSORS, & POE

For Wiring Diagrams, POE, and Sensor Information Click [Here](#)



**ELECTRICAL** Integral Driver with 0-10V Dimming Standard for both MR16 Lamps and Linear Component (Separate Circuit). Several Driver Options Available for Linear Component

### EXTRUSION DIMENSIONS



### LED SYSTEM INFORMATION

	Nominal System Watts	Nominal Delivered Lumens	Nominal Efficacy
Standard (LTG1)*	7.25 W/ft	576 lm/ft	80 LPW
Low (LTG2)*	5 W/ft	420 lm/ft	85 LPW
High (LTG3)*	10 W/ft	770 lm/ft	77 LPW
MR16**	8 W	550 lm	70 LPW

\*Based on a 90CRI, 3500K luminaire using one driver. Custom outputs available; specify below. \*\*Based on a 10° standard beam spread.

### ORDERING

#### 1 - FIXTURE ID

LS4 MR LED

#### 2 - LENGTH

- 2 - 2 ft
- 4 - 4 ft
- 8 - 8 ft
- X'-X" - Specify Length
- PAT - Pattern (Consult Factory)

#### 3 - COLOR TEMP

- 27 - 2700K/90 CRI
  - 30 - 3000K/90 CRI
  - 35 - 3500K/90 CRI
  - 40 - 4000K/90 CRI
  - 50 - 5000K/90 CRI
  - WD\* - Warm Dim 2200K-3000K
  - TW\*\* - Tunable White 2700K-6500K
- \*Requires WD10 Driver  
\*\*Requires TW10 Driver

#### 4 - LED SYSTEM

- LTG1 - Standard
- LTG2 - Low
- LTG3 - High
- LTGC - Custom Output

#### 5 - VOLTAGE

- UNV - Universal (120/277V)
  - 347V\* - 347V
- \*Must use DB Driver

#### 6 - DRIVER

- DB - Standard 1% Dimming (0-10V)
- DB.1% - 0.1% Dimming (0-10V)
- ELV-TRI - 2-wire 1% Dimming (120V only) ELV and TRIAC Compatible
- LDE1 - Lutron Digital EcoSystem
- DALI - DALI-2 Driver
- PoE - Power over Ethernet. Consult Factory for Compatibility
- TW10 - Dual Channel, 0-10V For Color Tuning (CCT and Intensity Control)
- WD10 - 0-10V Driver For Warm Dimming
- PSQ - Lutron 0-10V For Color Tuning

#### 7 - FINISH

- W - White (Standard)
  - BLK\* - Black
  - CC\* - Custom Color (provide RAL number\*\*)
  - CWF\* - Custom Wood Finish (provide color\*\*)
- \*White cord and canopy provided. Must specify for other requests.  
\*\*(See [here](#) for finish options)

#### 8 - MOUNTING

- AC - Air Craft Cable (50")
  - SM - Surface Mount
  - WM - Wall Mount
  - PS-X\* Pendant Stem (12", 18", 24", 36", 48")
- \*White stems and canopy provided. Must specify for other requests.  
\*\*For Perimeter Mount see LSR4 spec sheet.

#### 9 - OPTICS

- SD - Standard Diffuser
- WW - Wall Wash Reflector

#### 10 - SENSORS & CONTROLS (OPTIONAL)

- EIS - Enlighted Sensor
- WISD - Wattstopper Daylight Sensor
- WISM - Wattstopper Occupancy Sensor
- ECS - Eaton WaveLinX Sensor
- ACM - Acuity nLight Module Only
- ACS - Acuity nLight Sensor
- CCS - Casambi Module

#### 11 - OTHER OPTIONS

- EM 120V - Emergency Pack
- EM 277V - Emergency Pack
- EMCKT - Emergency Circuit

#### 12 - ACCENT LIGHTING (Pg 3)

- 10° STD - 10° Standard
- 25° CRC - 25° Circular
- 36° CRC - 36° Circular
- 60° CRC - 60° Circular
- 25° LNR - 10° x 25° Linear
- 36° LNR - 10° x 36° Linear
- 60° LNR - 10° x 60° Linear
- HEX - Hexcell Louver (can add to any beam spread)

NOTE: For other control systems not listed consult factory.

Updated: 04/23/2021

DATE

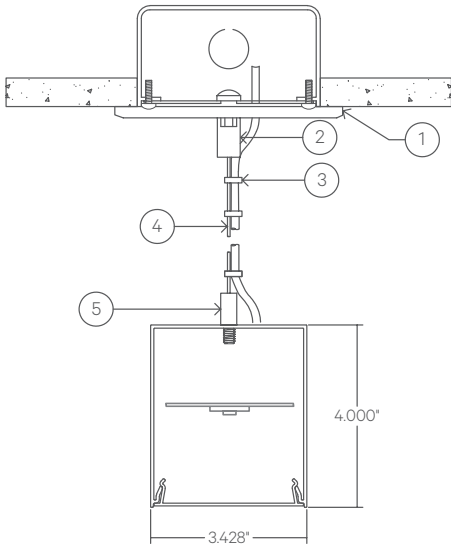
PROJECT

FIRM

TYPE

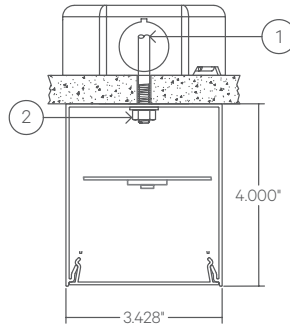
## MOUNTING OPTIONS

### AC - Air Craft Cable (50")



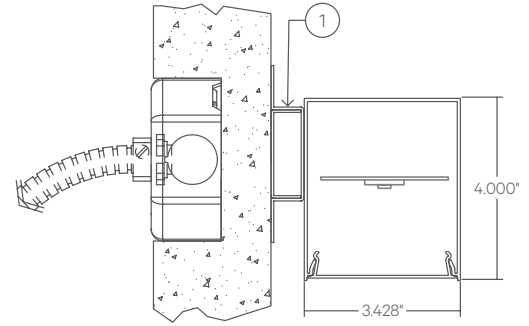
- 1 - 5" Round Canopy (Standard White Finish)
- 2 - Canopy Retainer
- 3 - SJT Cord (Standard White)
- 4 - Air Craft Cable
- 5 - Gripper

### SM - Surface Mount



- 1 - Threaded Rod (not supplied)
- 2 - 1/4-20 Nut (not supplied)

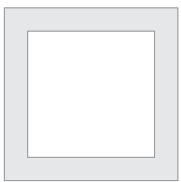
### WM - Wall Mount



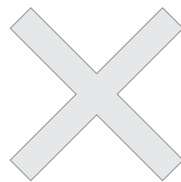
- 1 - 0.75" Wall Mount Bracket

## PATTERNS

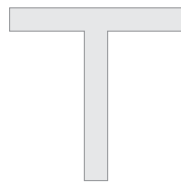
Patterns feature illuminated corners and angles. **Must consult factory for custom corners and patterns.**



Square Patterns



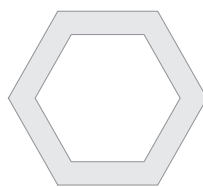
X Patterns



T Patterns

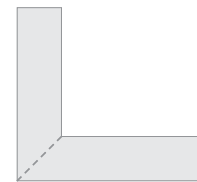


Custom Angles



Custom Patterns

## LENS CUT



Mitered

DATE

PROJECT

FIRM

TYPE

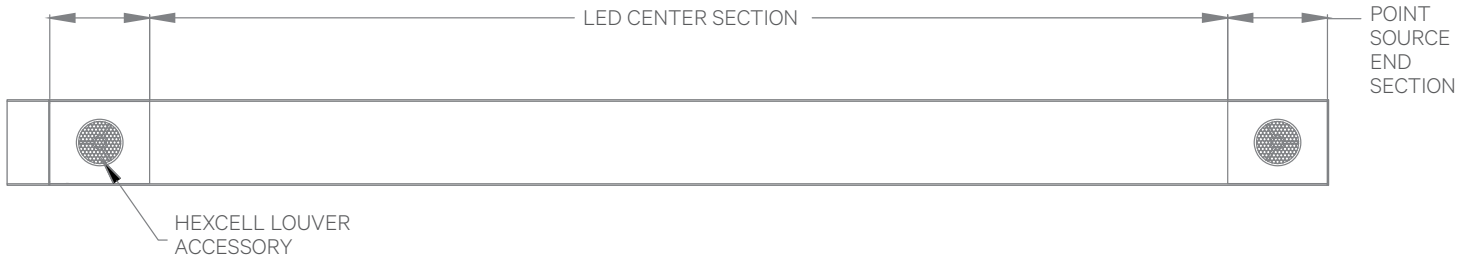
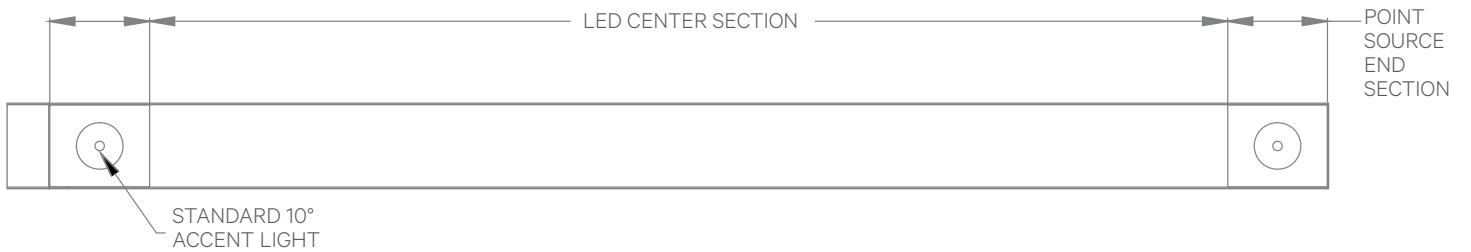
## ACCENT DOWNLIGHT INFORMATION

SORAA MR16, 95CRI lamps provided with optional filters for flexible beam spread. Please note that when choosing 3500k color temperature a 4000k lamp with color correcting filter will be supplied.

### OPTIONAL BEAM SPREADS AND FILTERS

- 10° Standard Lens
- 25° Circular Beam Spread\*
- 36° Circular Beam Spread\*
- 60° Circular Beam Spread\*
- 10° x 25° Linear Beam Spread\*
- 10° x 36° Linear Beam Spread\*
- 10° x 60° Linear Beam Spread\*
- Hexcell Louver for Reduced Glare (can be added to any beam spread)\*

\*Standard 10° SORAA lamp supplied with specially designed snap-in filter to create requested beam spread.



**Please Note:** On an individual fixture accent lights are placed on either end of the unit. For continuous runs, accent lights are placed every 8 feet. Consult Factory for alternative placement. Fixture must be a minimum of 4 feet.