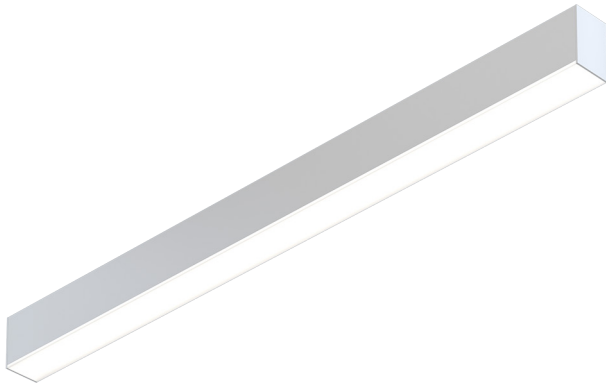


# LS2 indirect/direct

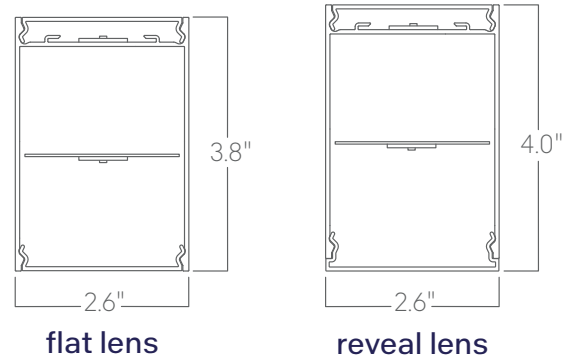


The LS Series of architectural luminaires offers a wide range of profiles and mounting options. Custom lengths and patterns are tailored to suit any modern space.

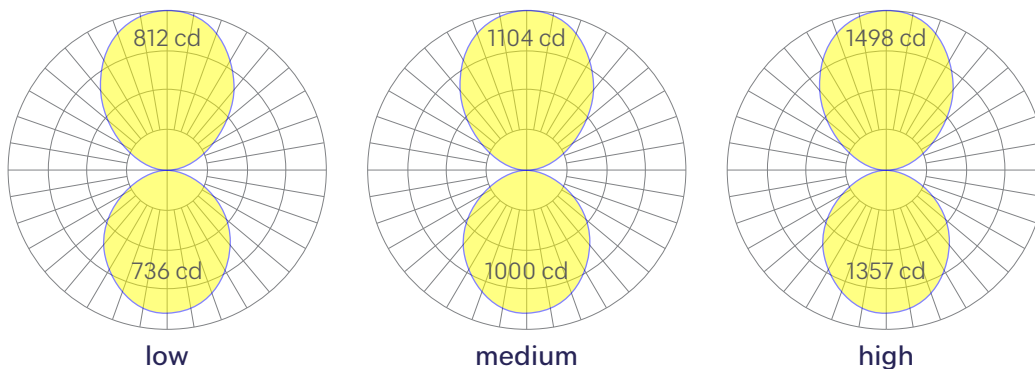
## Features

- Extruded recycled aluminum housing
- Aluminum core LED boards, specifiable optics
- Specifiable color temperature. CRI > 90, R9 > 50
- Custom lengths, welded patterns, and finishes available
- Integral specifiable dimmable drivers or PoE
- 5 Year, 50,000 hour warranty, damp location rated
- Compatible with all wood ceilings
- WELL Building Standard compatible [learn more](#)

## Dimensions



## Optics



Representative distribution and peak candela. For other options see order information or IES files [here](#).

# LS2 indirect/direct

## Ordering Information

For each option group below specify one option. If you don't see your preferred option listed, contact us for [help](#).

1 Fixture ID	2 Length	3 Color Temperature	4 Output
<b>LS2 UPDN</b>	<b>2</b> 2 ft nominal <b>4</b> 4 ft nominal <b>8</b> 8 ft nominal <b>X'-X"</b> Specify Length <small>Precision lengths may be specified to the nearest 1/8".</small>	<b>27</b> 2700K/90 CRI <b>30</b> 3000K/90 CRI <b>35</b> 3500K/90 CRI <b>40</b> 4000K/90 CRI <b>50</b> 5000K/90 CRI <b>WD</b> Warm Dim 2200K-3000K <small>Must use WD10 driver</small> <b>TW</b> Tunable White 2700K-6500K <small>Must use WD10 or PSQ driver</small> <b>RGBW30</b> RGB +white, 3000k <small>Remote DMX. High output unavailable.</small> <b>RGBW35</b> RGB +white, 3500k <small>Remote DMX. High output unavailable.</small> <b>RGBW40</b> RGB +white, 4000k <small>Remote DMX. High output unavailable.</small>	<b>Indirect</b> <b>LOW</b> Low output <b>MED</b> Medium output <b>HIGH</b> High output <b>CUST</b> Custom output <small>Specify Watts or lumens</small> <b>Direct</b> <b>LOW</b> Low output <b>MED</b> Medium output <b>HIGH</b> High output <b>CUST</b> Custom output <small>Specify Watts or lumens.</small>
5 Voltage	6 Driver	7 Finish	8 Mounting
<b>UNV</b> Universal (120/277V) <b>347V</b> 347V <small>Available for DB Driver only</small>	<b>DB</b> Standard 0-10V 1% <b>DB.1%</b> 0-10V 0.1% <b>ELV</b> Reverse Phase 1% (120V only) <small>For compatible dimmers, click <a href="#">here</a>.</small> <b>TRI</b> Forward phase (120V only) <small>For compatible dimmers, click <a href="#">here</a>.</small> <b>LDE1</b> Lutron Digital EcoSystem <b>JA8</b> JA8 compliant 1% dimming <b>DALI</b> DALI-2 Driver <b>PoE</b> Power over ethernet. <b>TW10</b> 2 ch, 0-10V for tunable white. <b>WD10</b> 0-10V Warm Dim <b>PSQ</b> Lutron T-Series 2-channel 1% <small>For tunable white</small> <b>DMX</b> DMX512 <small>All DMX drivers set to default address 001 and provided in remote enclosers. Contact us for other addressing needs.</small>	<b>W</b> White <b>BLK</b> Black <b>SLV</b> Silver <b>CC</b> Custom Color <small>See finish options <a href="#">here</a>.</small> <b>CWF</b> Custom Wood Finish <small>See finish options <a href="#">here</a>.</small>	<b>AC</b> Aircraft cable (50") <b>ACTB9</b> Aircraft cable, Tbar clip, 9/16" <b>ACTB15</b> Aircraft cable, Tbar clip, 15/16" <b>ACTBSG</b> Aircraft cable, Tbar clip, Slot Grid <b>AC3.5</b> 3.5" canopy + Jbox adaptor <small>adaptor must be mudded-in.</small> <b>ACCC</b> Aircraft cable to Conduit <small>Pipe Canopy</small> <b>PS-X</b> Pendant stem (12", 18", 24", 36", 48") <b>WM</b> Wall Mount
9 Optics	10 Sensors/Controls	11 Circuit	12 Options
<b>Indirect</b> <b>FL</b> Flat Diffuser <b>AVI-BAT</b> 120° Batwing  <b>Direct</b> <b>FL</b> Flat Diffuser <b>RV</b> 0.2" Reveal Lens <b>AVI ASY</b> Flat, Assymmetric Lens	<b>NA</b> None <b>EIS</b> Enlighted sensor <b>WISM</b> Wattstopper occupancy <b>WISD</b> Wattstopper daylight <b>ACM</b> Acuity nLight® module only <b>ACS</b> Acuity nLight® <b>CCS</b> Casambi module <b>AWNDR</b> Lutron Athena Wireless Node Module <b>OTHER</b> Consult Factory	<b>NA</b> None <b>DC</b> Dual Circuit (separate indirect/direct control) <small>May require additional power feeds.</small> <b>EMPCK</b> Emergency battery pack <small>May require additional power feeds.</small> <b>EMCKT</b> Emergency circuit <small>May require additional power feeds.</small> <b>DAYCKT</b> Daylight circuit <small>May require additional power feeds.</small>	<b>STD</b> White Canopy + White Cord <b>CAN-X</b> Canopy + color <small>See finish options <a href="#">here</a>.</small> <b>SJ-BLK</b> Black cord <b>SJ-WHT</b> White cord

## Performance

Output <sup>1</sup>	Indirect			Direct		
	Watts/ft	Lumens/ft	LPW	Watts/ft	Lumens/ft	LPW
Low	5	535	107	5	482	96
Medium	7	727	104	7	654	94*
High	10	986	99	10	888	89

<sup>1</sup>Based on a typically configured 90 CRI, 3500K Luminaire using one driver.  
 Custom outputs available. Please consult factory.  
 For 4000K multiply by 1.05; for 3000K, 0.9; for 2700K, 0.92.

\*80 CRI equivalent 112 LPW

## Technical Information



click [here](#) or scan QR code

Wiring diagrams, PoE and sensor details

# LS2 indirect/direct

## Drivers & Electrical

Integral drivers\* with 0-10V Dimming standard. Several other driver options available; see ordering information.

\*DMX drivers are provided in remote enclosures.

## Sensors & Controls

Sensors are installed on an aluminum plate adjacent to the luminaire lens<sup>1</sup>. Coronet remains agnostic in our approach to sensors and control systems; our fixtures are compatible with most systems offered.

<sup>1</sup>Not applicable to indirect only models. Consult factory.

## Emergency Back-Up

For fixtures three-feet or longer, a 4W integral emergency driver may be wired to 4ft sections. 7W, 10W, and 12W drivers are also available (not all integral; consult factory). Emergency circuits for use with building generators are also available.

## PoE (Power over Ethernet)

Compatible with virtually all PoE systems including Moxel Coresync, Igor, Smartengine, Platformatics, and NuLED SPICEbox.

Consult factory for systems not listed. See [here](#) for more info.

## Finishes

All luminaires are finished in high quality polyester powder coating. Our standard color is white. Any RAL color may be specified.

## Weight

5 lbs per foot

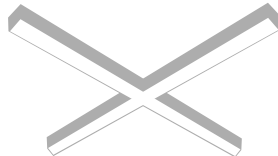
## Patterns

Featuring illuminated welded corners and angles. Consult factory for custom designs and elevations.

**Square**



**X**



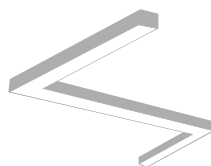
**T**



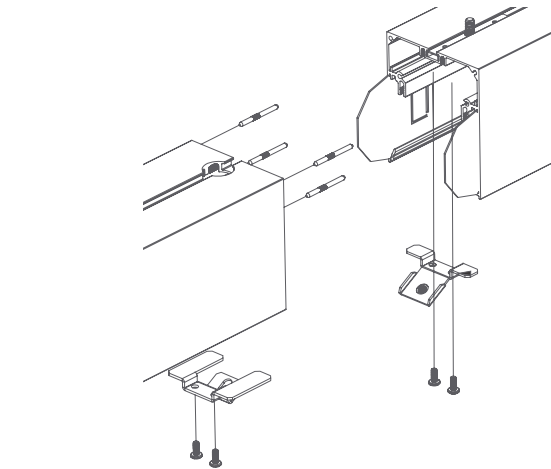
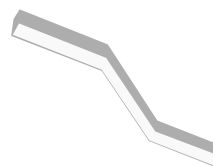
**V**



**Custom**



**Elevation**

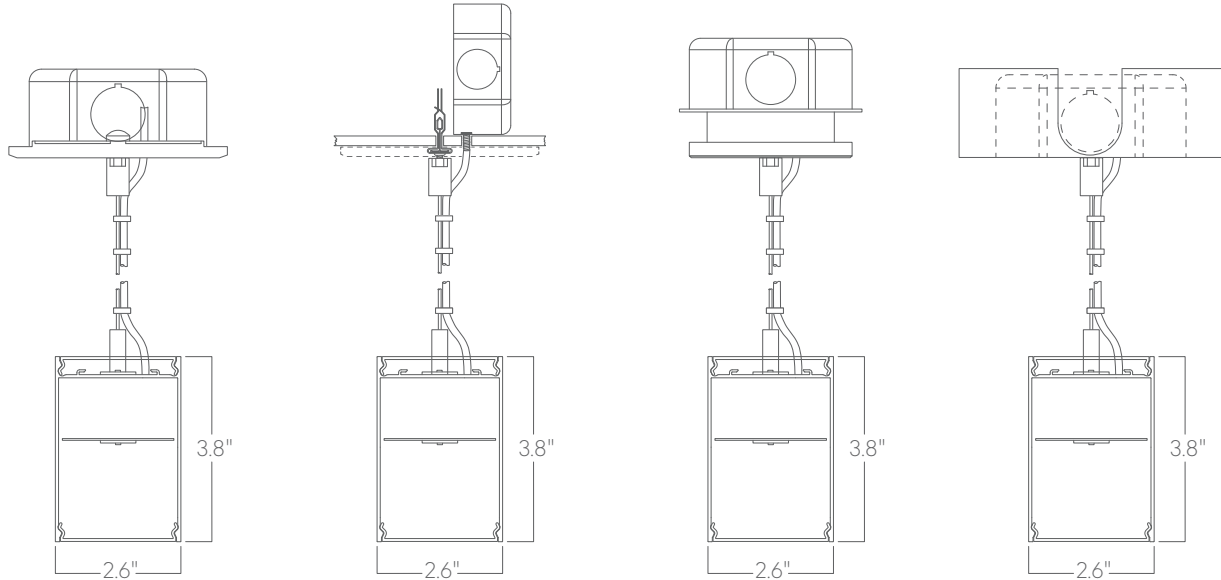


Representative joinery. For product specific details see installation guides or submittal drawings.

# LS2 indirect/direct

## Mounting Options

Custom mounting types and ceiling transitions available; consult factory.

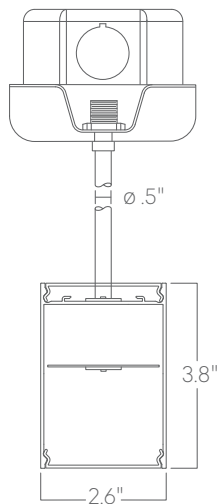


**Aircraft cable  
5" canopy**

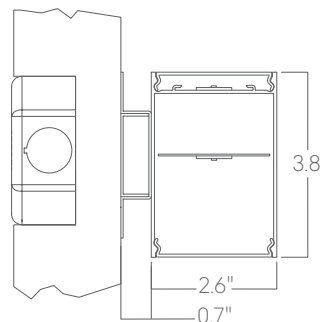
**Aircraft cable  
5" canopy, T Bar clip**

**Aircraft cable  
3.5" canopy**

**Aircraft cable  
Conduit canopy  
with knockouts**



**Pendant stem**



**Wall mount**

Please consult factory shop drawings for suspension points.

To prevent damage to fixtures, factory designated suspension points must not be field altered.