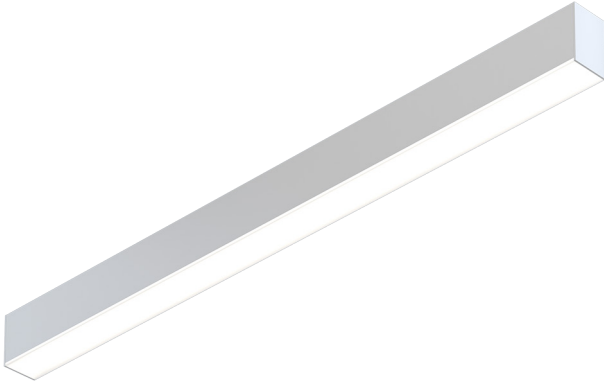


# LS2 indirect/direct

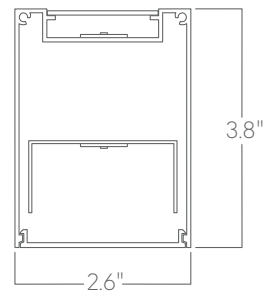


The LS Series of architectural luminaires offers a wide range of profiles and mounting options. Custom lengths and patterns are tailored to suit any modern space.

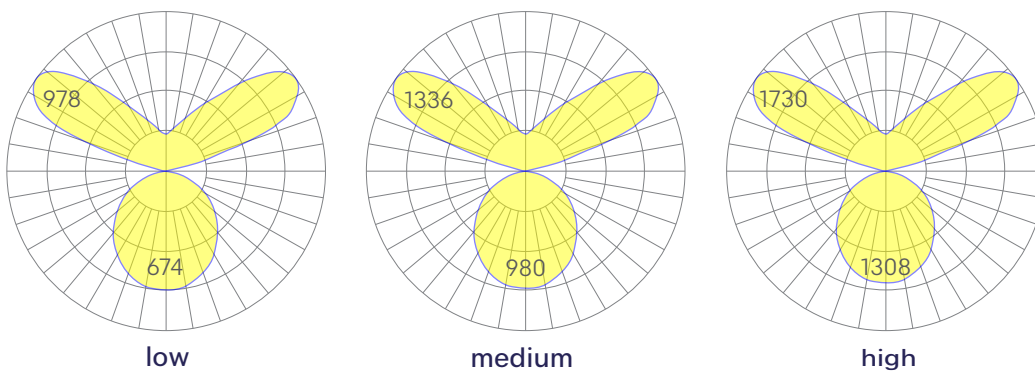
## Features

- Extruded recycled aluminum housing
- Aluminum core LED boards, specifiable optics
- Specifiable color temperature. CRI > 90, R9 >50
- Custom lengths, welded patterns, and finishes available
- Integral specifiable dimmable drivers or PoE
- 5 Year, 50,000 hour warranty
- WELL Building Standard compatible [learn more](#)

## Dimensions



## Optics



Representative distribution and peak candela. For other options see order information or IES files [here](#).

# LS2 indirect/direct

## Ordering Information



Example: LS2 UPDN - 8 - 35 - MED - MED - UNV - DB - W - AC - SD - SD - CCS - DAYCKT - NA

|  |  |   |  |
|--|--|---|--|
| <b>Fixture ID</b> <input type="text" value="1"/>   | <b>Length</b> <input type="text" value="2"/>   | <b>Color Temperature</b> <input type="text" value="3"/>   | <b>Output</b> <input type="text" value="4a-"/> <input type="text" value="4b-"/>  |
| <b>LS2 UPDN</b>  | <b>2</b> 2 ft<br><b>4</b> 4 ft<br><b>8</b> 8 ft<br><b>X'-X"</b> Specify Length <sup>1</sup><br><b>PAT</b> Pattern (Consult Factory)  | <b>27</b> 2700K/90 CRI<br><b>30</b> 3000K/90 CRI<br><b>35</b> 3500K/90 CRI<br><b>40</b> 4000K/90 CRI<br><b>50</b> 5000K/90 CRI<br><br><b>WD</b> <sup>1</sup> Warm Dim 2200K-3000K<br><b>TW</b> <sup>2</sup> Tunable white 2700K-6500K<br><b>RGBW30</b> <sup>3</sup> RGB +white, 3000k<br><b>RGBW35</b> <sup>3</sup> RGB +white, 3500k<br><b>RGBW40</b> <sup>3</sup> RGB +white, 4000k | <b>4a - Indirect</b><br><b>LOW</b> Low output<br><b>MED</b> Medium output<br><b>HIGH</b> High output<br><b>CUST</b> Custom output <sup>1</sup><br><br><b>4b - Direct</b><br><b>LOW</b> Low output<br><b>MED</b> Medium output<br><b>HIGH</b> High output<br><b>CUST</b> Custom output <sup>1</sup> |
| <b>Voltage</b> <input type="text" value="5"/>  | <b>Driver</b> <input type="text" value="6"/>   | <b>Finish</b> <input type="text" value="7"/>  | <b>Mounting</b> <input type="text" value="8"/>   |
| <b>UNV 347V</b> Universal (120/277V) 347V  | <b>DB</b> Standard 0-10V 1%<br><b>DB.1%</b> 0-10V 0.1%<br><b>ELV</b> 2-wire 1% (120V only)<br><b>TRI</b> Forward phase (120V only)<br><b>LDE1</b> Lutron Digital EcoSystem<br><b>JA8</b> JA8 compliant 1% dimming<br><b>DALI</b> DALI-2 Driver<br><b>PoE</b> Power over ethernet.<br><b>TW10</b> Dual channel, 0-10V for tunable white.<br><b>WD10</b> 0-10V Warm Dim<br><b>PSQ</b> Lutron T-Series 2-channel 1% for tunable white<br><b>DMX</b> <sup>1</sup> DMX512 | <b>W</b> White<br><b>BLK</b> Black<br><b>CC</b> <sup>1</sup> Custom Color<br><b>CWF</b> <sup>1</sup> Custom Wood Finish   | <b>AC</b> Aircraft Cable (50")<br><b>WM</b> Wall Mount<br><b>PS-X</b> Pendant Stem (12", 18", 24", 36", 48")   |
| <b>Optics</b> <input type="text" value="9a-"/> <input type="text" value="9b-"/>  | <b>Sensors/Controls</b> <input type="text" value="10"/>  | <b>Circuit</b> <input type="text" value="11"/>  | <b>Options</b> <input type="text" value="12"/>   |
| <b>9a - Indirect</b><br><b>SD</b> Standard Diffuser<br><b>AVI-BAT</b> 120° Batwing<br><br><b>9b - Direct</b><br><b>FL</b> Flat Diffuser<br><b>SD</b> Standard Diffuser | <b>NA</b> None<br><b>EIS</b> Enlighted Sensor<br><b>WISM</b> Wattstopper Occupancy Sensor<br><br><b>ECS</b> Eaton WaveLinX Sensor<br><b>ACM</b> Acuity nLight Module Only<br><b>ACS</b> Acuity nLight Sensor<br><b>CCS</b> Casambi Module  | <b>NA</b> None<br><b>EM120V</b> Emergency Pack<br><b>EM277V</b> Emergency Pack<br><b>EMCKT</b> Emergency Circuit<br><b>DAYCKT</b> Daylight Circuit  | <b>NA</b> None<br><b>CAN-X</b> <sup>1</sup> Canopy + color<br><b>SJ-X</b> <sup>2</sup> SJ Cord + color   |

## Performance

| Output <sup>1</sup> | indirect |           | direct   |           |
|---------------------|----------|-----------|----------|-----------|
|                     | Watts/ft | Lumens/ft | Watts/ft | Lumens/ft |
| Low                 | 5        | 500       | 5        | 537       |
| Medium              | 7        | 721       | 7        | 743       |
| High                | 10       | 967       | 10       | 1022      |

<sup>1</sup>Based on a typically configured 90 CRI, 3500K luminaire using one driver.

Custom outputs available. Please consult factory.  
For 4000K multiply by 1.05; for 3000K 0.9; for 2700K, 0.92.

## Technical Information



click [here](#) or scan QR code

Wiring diagrams, PoE and sensor details

Modification date: October, 2021

Page 2 of 4

# LS2 indirect/direct

## Drivers & Electrical

Integral drivers\* with 0-10V Dimming standard. Several other driver options available; see ordering information.

\*DMX drivers are provided in remote enclosures.

## Sensors & Controls

Sensors are installed on an aluminum plate adjacent to the luminaire lens<sup>1</sup>. Coronet remains agnostic in our approach to sensors and control systems; our fixtures are compatible with most systems offered.

<sup>1</sup>Not applicable to indirect only models. Consult factory.

## Emergency Back-Up

For fixtures three-feet or longer, a 4W integral emergency driver may be wired to 4ft sections. 7W, 10W, and 12W drivers are also available (not all integral; consult factory). Emergency circuits for use with building generators are also available.

## PoE (Power over Ethernet)

Compatible with virtually all PoE systems including Molex Coresync, Igor, Smartengine, Platformatics, and NuLED SPICEbox. Consult Factory for systems not listed, See [here](#) for more info.

## Finishes

All luminaires are finished in high quality polyester powder coating. Our standard color is white. Any RAL color may be specified.

## Weight

5 lbs per foot

## Patterns

Featuring illuminated welded corners and angles. Consult factory for custom designs and elevations.

## Optics

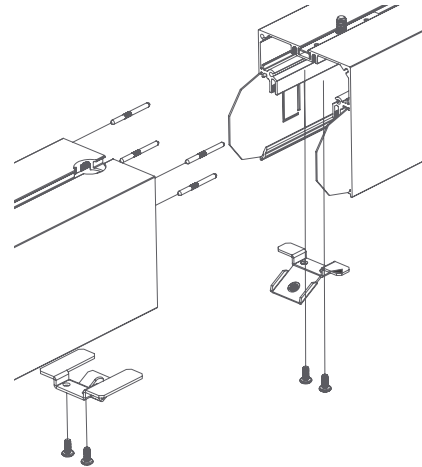
Extruded satin acrylic lenses provide excellent diffusion, high transmission, and no LED imaging.

## Construction

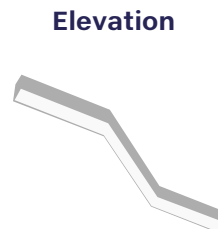
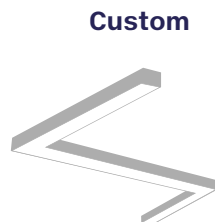
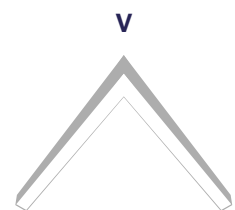
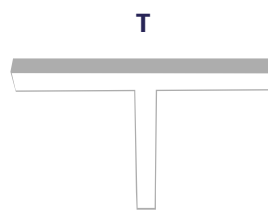
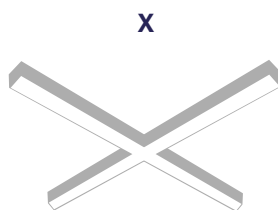
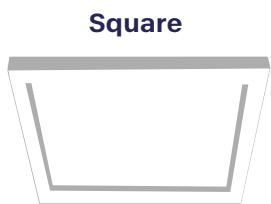
Housings are extruded premium, recycled aluminum. Individual fixtures are available up to 12' long and may be specified as nominal or precision lengths. Precision lengths are supplied within 1/8" tolerance.

## Joined Runs

Runs of any length may be specified and are comprised of multiple, factory-engineered, joined sections. Individually specified luminaires are not field joinable.



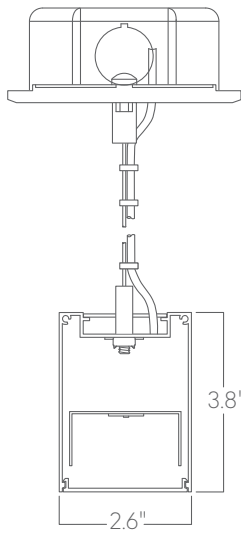
Representative joinery. For product specific details see installation guides or submittal drawings.



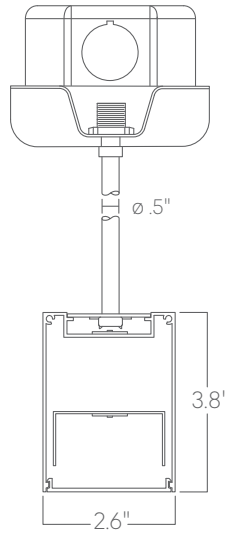
# LS2 indirect/direct

## Mounting Options

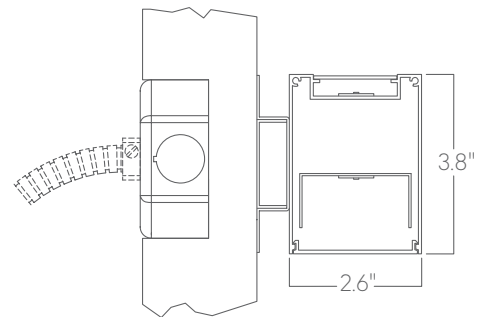
Custom mounting types and ceiling transitions available; consult factory.



**Aircraft cable**



**Pendant stem**



**Wall mount**