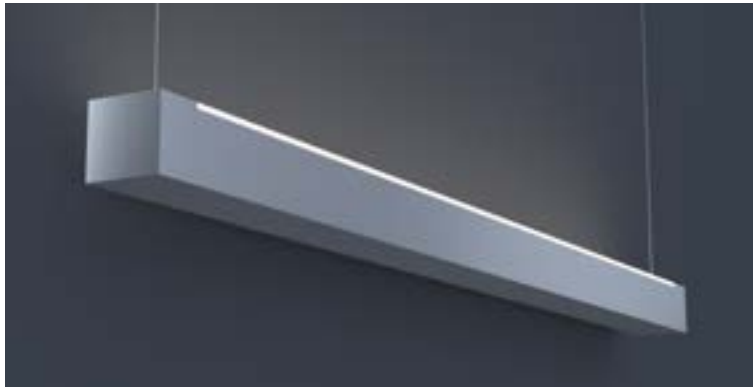


DATE	PROJECT	FIRM	TYPE
------	---------	------	------



Narrow, linear luminaire with all uplight. For use in indoor applications where an LED luminaire providing continuous light is required. Suspended or wall mount installation. Patterns available.

### FEATURES

- Available In Made To Measure Lengths Accurate Up To 1/16"
- Patterns Available (See Page 2)
- Damp Location Rated
- CRI 90+ Standard; R9>50
- 5 Year, 50,000 Hour Fixture Warranty
- 2700K, 3000K, 3500K, 4000K & 5000K Color Temperatures Available
- Available with PoE

**APPLICATIONS** Offices, Lobbies, Retail Stores, Classrooms, Reception Areas & Corridors

**CONSTRUCTION** Extruded Aluminum Housing with Steel End Caps. Formed Steel Gear Tray

**OPTICS** Extruded High Transmission Satin Acrylic Lens with No LED Imaging. Additional Optics Available

**WARRANTY** 5 Year Limited Warranty (Covers Standard Components)

**FINISH** Standard Powder-Coated White. Custom RAL Colors Available

**FIXTURE RATINGS & CERTIFICATIONS** Union Made ETL Listed Made In The USA Damp Location Rated



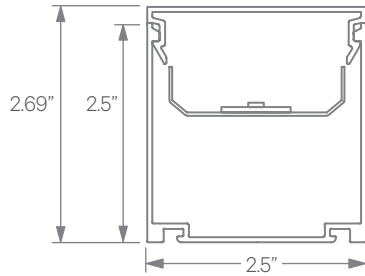
### DRIVERS & SENSORS



For Wiring Diagrams and Sensor Information Click [Here](#)

**ELECTRICAL** Integral Driver with 0-10V Dimming Standard. Several Driver Options Available

### EXTRUSION DIMENSIONS



NOTE: STANDARD LENS SITS 1/4" ABOVE EXTRUDED HOUSING. FLUSH LENS OPTION AVAILABLE.

### LED SYSTEM INFORMATION

	Nominal System Watts	Nominal Delivered Lumens	Nominal Efficacy
Standard (LTG1)	7.25 W/ft	690 lm/ft	95 LPW
Low (LTG2)	5 W/ft	475 lm/ft	95 LPW
High (LTG3)	8.75 W/ft	790 lm/ft	90 LPW

Based on a 3500K luminaire using one driver. Custom outputs available; specify below.

### ORDERING



<b>1 - FIXTURE ID</b> LS2 LED UP	<b>2 - LENGTH</b> 2 - 2 ft 4 - 4 ft 8 - 8 ft X'-X" - Specify Length PAT - Pattern (Consult Factory)	<b>3 - COLOR TEMP</b> 27 - 2700K/90 CRI 30 - 3000K/90 CRI 35 - 3500K/90 CRI 40 - 4000K/90 CRI 50 - 5000K/90 CRI TW* - Tunable White RGBW** - RGB + 3000K *Must use DMX or TW10 Driver **Must use DMX Driver	<b>4 - LED SYSTEM</b> LTG1 - Standard LTG2 - Low LTG3 - High LTGC - Custom Output	<b>5 - VOLTAGE</b> UNV - Universal (120/277V)	<b>6 - DRIVER</b> DB - Standard Dimming (0-10V) DB1% - 1% Dimming (0-10V) DB.1% - 0.1% Dimming (0-10V) LTEA - Lutron 2-wire 1% Dimming (120V only) LDE1 - Lutron Digital EcoSystem LDE5 - 5 Series EcoSystem; 5% Dimming PoE - Power over Ethernet. Consult Factory for Compatibility DMX - For Color Tuning and RGBW (Remote) TW10 - Dual Channel, 0-10V For Color Tuning (CCT and Intensity Control)
-------------------------------------	---	--	---	---	---

<b>7 - FINISH</b> W - White (Standard) BLK* - Black CC* - Custom Color (provide RAL#) *White cord and canopy provided. Must specify for other requests.	<b>8 - MOUNTING</b> AC - Air Craft Cable (50") WM - Wall Mount	<b>9 - OPTICS</b> SD - Standard Diffuser AVI-BW - 140° AVI-OPTIC Batwing FL - Flat/Flush Lens	<b>10 - CONTROL (Optional)</b> EIS - Enlighted Sensor WISD - Wattstopper Daylight Sensor WISM - Wattstopper Occupancy Sensor SLS - SensiLUM Sensor ACS - Acuity Controls nLight System CCS - Casambi Compatible ECS - Eaton WaveLinX System *For other control systems not listed consult factory.	<b>11 - OTHER OPTIONS</b> EM 120V - Emergency Pack EM 277V - Emergency Pack EMCKT - Emergency Circuit
--	--	--	--	--

DATE

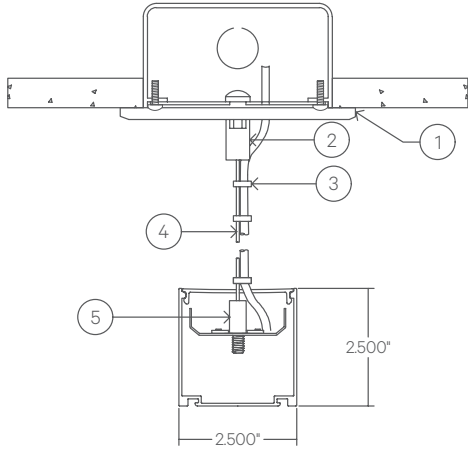
PROJECT

FIRM

TYPE

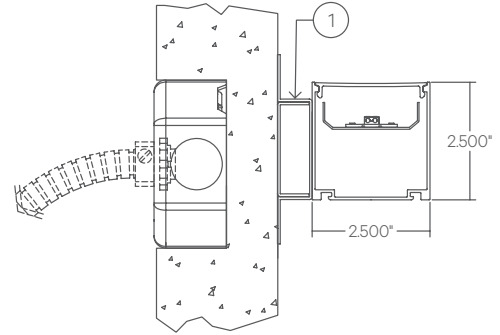
## MOUNTING OPTIONS

### AC - Air Craft Cable (50")



- 1 - 5" Round Canopy (Standard White Finish)
- 2 - Canopy Retainer
- 3 - SJT Cord (Standard White)
- 4 - Air Craft Cable
- 5 - Gripper

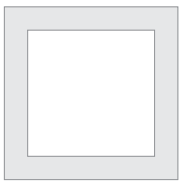
### WM - Wall Mount



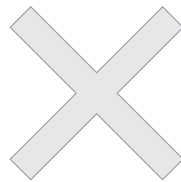
- 1 - 0.75" Wall Mount Bracket

## PATTERNS

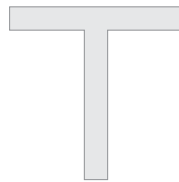
Patterns feature illuminated corners and angles. **Must consult factory for custom corners and patterns.**



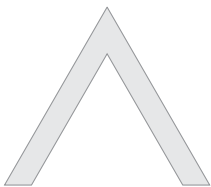
Square Patterns



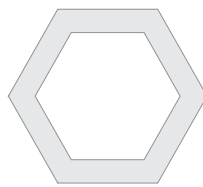
X Patterns



T Patterns

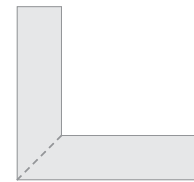


Custom Angles



Custom Patterns

## LENS CUT



Mitered