

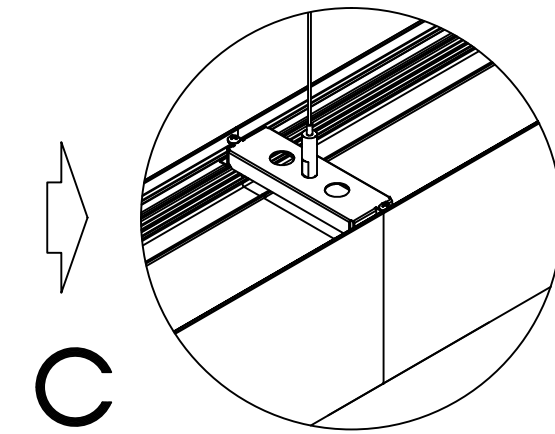
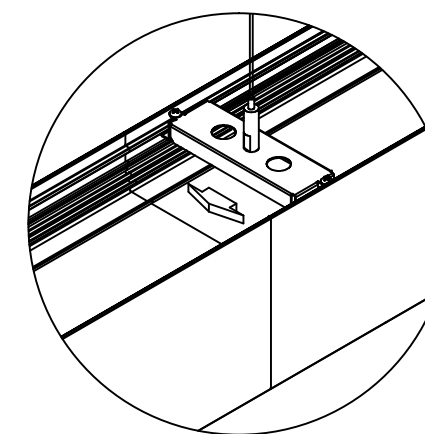
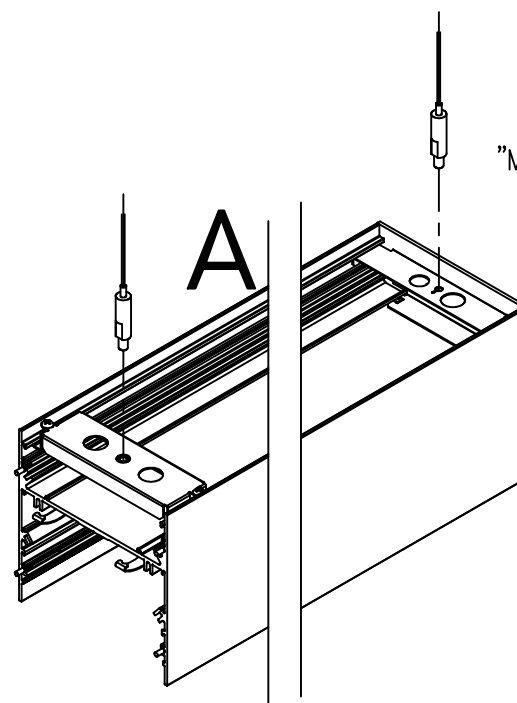
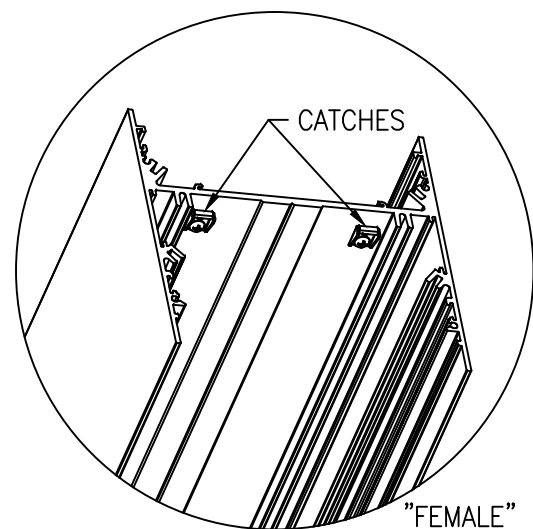
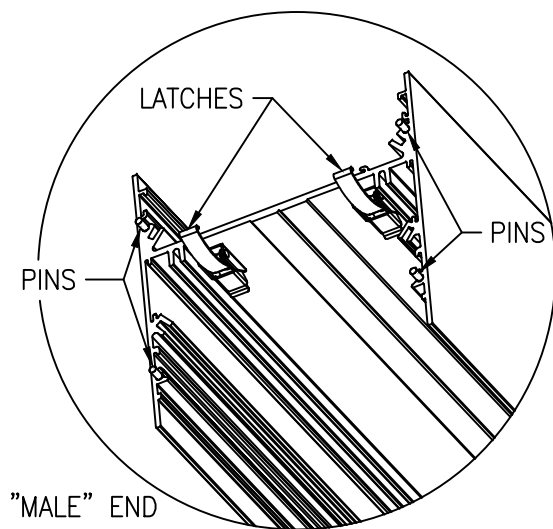
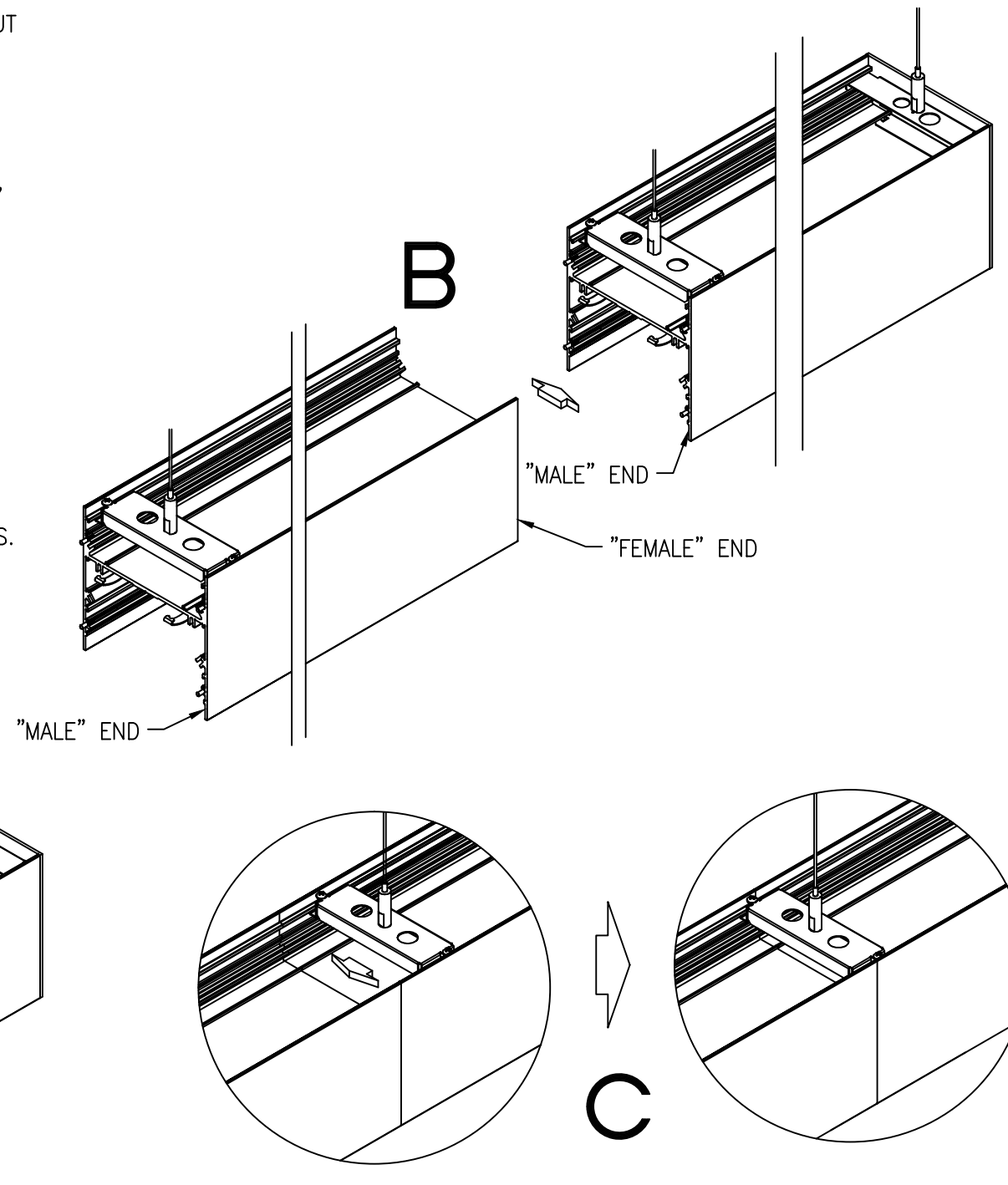
FIXTURES TO BE HUNG IN ALPHABETICAL OR NUMERICAL ORDER AS SHOWN ON LAYOUT DRAWINGS (FIXTURES CAN BE INSTALLED OUT OF ORDER IF REQUIRED BUT INTERMEDIATE HANGER BRACKET MAY NEED TO BE MOVED FROM ONE FIXTURE TO ANOTHER).

**A** USING SUPPLIED CABLE ASSEMBLY, HANG FIRST FIXTURE IN ROW/PATTERN WITH 2 CABLE ASSEMBLIES, USING CABLE FITTING WITH 1/4-20 MALE THREAD INTO THREADED HOLE/BUSHING OF HANGER BRACKET. FEED CORD IS HARDWIRED TO FIXTURE AT FACTORY AND LOOSE END OF CORD NEEDS TO BE INSERTED THROUGH FEED HOLE OF CANOPY AND SECURED WITH SUPPLIED STRAIN RELIEF. CABLE LENGTH CAN BE ADJUSTED AT FITTING ON TOP OF FIXTURE. CABLE CAN BE TRIMMED BUT NO LESS THAN 3" FROM CABLE FITTING IN FIXTURE.

CANOPY IS POSITIONED AT CEILING LINE USING BARREL FITTING AROUND STUD IN CROSS BAR.

REFLECTOR AT OPEN END OF FIXTURES WILL NEED TO BE REMOVED TO ACCESS JOINING HARDWARE. **B** INSTALL NEXT FIXTURE IN ROW BY HANGING MALE END OF NEW FIXTURE WITH CABLE ASSEMBLY. CONNECT NEW FIXTURE (FEMALE END) TO EXISTING FIXTURE (MALE END) BY INSERTING PINS OF EXISTING FIXTURE INTO CORRESPONDING HOLES IN EXTRUSION OF NEW FIXTURE. USE CATCHES/LATCHES TO DRAW FIXTURES TOGETHER. **C** AFTER FIXTURES ARE JOINED, REPOSITION INTERMEDIATE HANGER BRACKET SO BRACKET STRADDLES SPLICE OF FIXTURES. LOCK HANGER BRACKET INTO POSITION WITH SET SCREWS. CONTINUE IN THIS MANNER UNTIL ROW/PATTERN IS COMPLETE.

IF DUST COVERS ARE REQUIRED, THEY SHOULD LAY ON FLANGES ON TOP OF EXTRUDED HOUSING AND BETWEEN HANGER BRACKETS.



**CORONET INC.**  
77 WOOD STREET, PATERSON, NJ 07524  
T: 973-345-7660 F: 973-345-8705  
WWW.CORONETLED.COM



WARNING:

RISK OF FIRE AND ELECTRICAL SHOCK. FIXTURE MUST BE INSTALLED BY A QUALIFIED ELECTRICIAN ONLY IN ACCORDANCE WITH NATIONAL LOCAL BUILDING AND ELECTRICAL

	<b>NOTICE</b> Do not touch LED May damage device Observe precautions for handling electrostatic sensitive devices.
	<b>DANGER</b> Hazardous voltage. Contact will cause electric shock or burn. Only work on de-energized equipment. Disconnect power before wiring fixture.

CODES. DISCONNECT POWER AT ELECTRICAL PANEL BEFORE SERVICING.

1. CORONET INC. RESERVES THE RIGHT TO MAKE ANY DESIGN CHANGES FOR CONTINUOUS IMPROVEMENT WHICH WILL NOT AFFECT THE OVERALL APPEARANCE OR PERFORMANCE.
2. ALL CEILINGS TO BE ADEQUATELY REINFORCED BY OTHERS.
3. ALL FIXTURES TO BE WIRED BY CERTIFIED ELECTRICIAN ONLY.
4. THIS INFORMATION IS PROPERTY OF CORONET INC., AND THE INFORMATION IT CONTAINS MAY NOT BE USED WITHOUT ANY WRITTEN CONSENT OF CORONET INC.