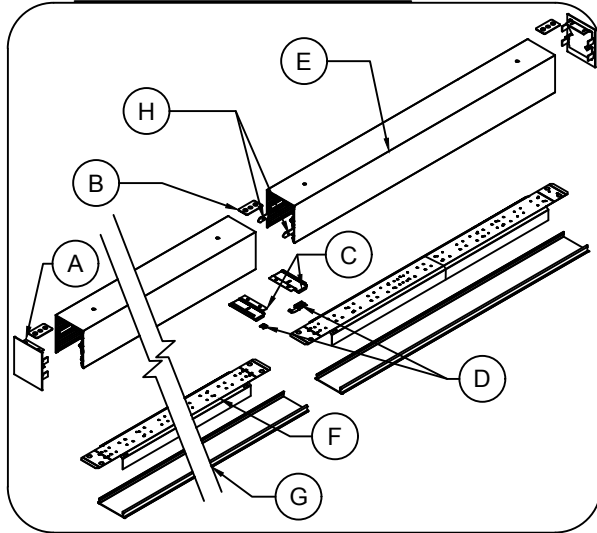
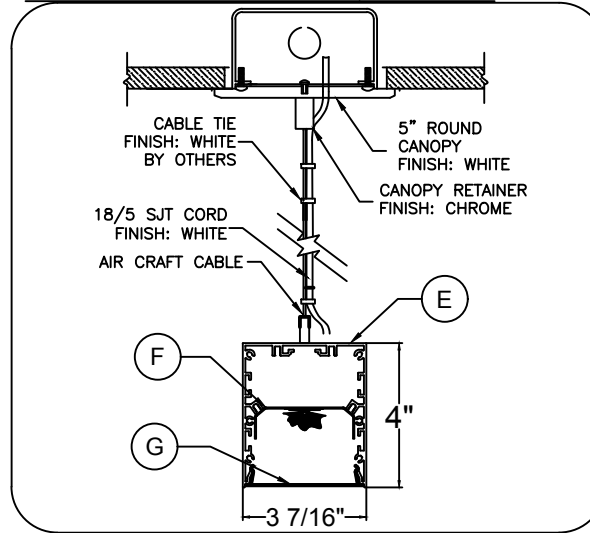


### EXPLODED VIEW:



### CROSS SECTION VIEW:



### PART LIST:

A- END PLATE

B- HANGING BRACKET

C- BRACKET FOR CATCH/LATCH

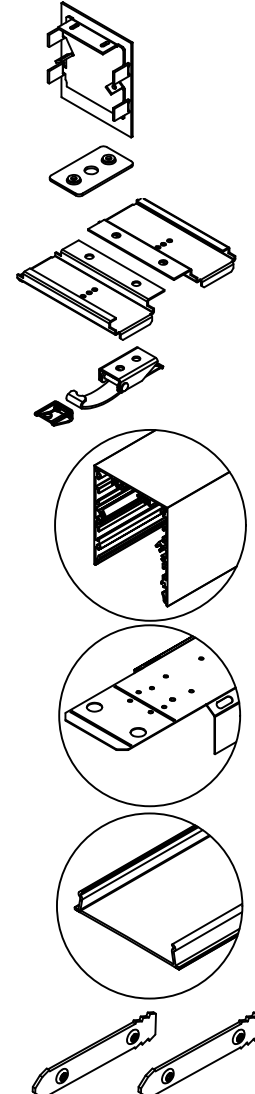
D- CATCH/LATCH CONNECTOR

E- DIRECT FIXTURE

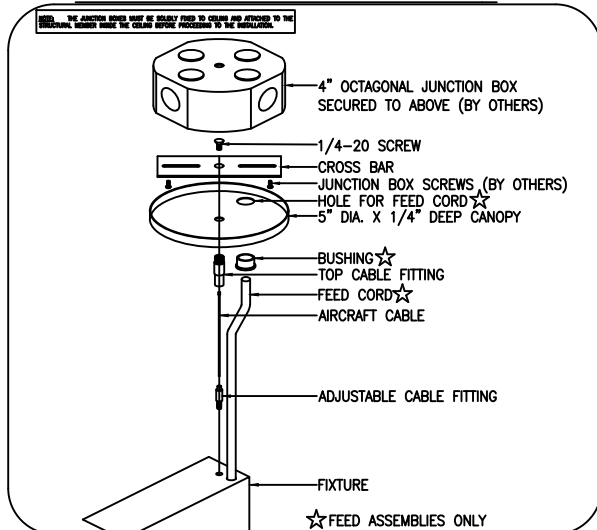
F- LED TRAY

G- LENS

H- ALIGNERS



### POWER SIDE DETAIL:



### NON POWER SIDE DETAIL:

