



MULTI

Custom-made track extrusion with Global Track system. Available with lensed LED sections in between track and optional continuous uplight component (trackhead not provided). Custom colors and patterns available.



Features

- Optional LED continuous uplight component
- Available in custom lengths and long runs
- Global Track 2 Circuit; 120V (TEK)
- Damp Location Rated
- CRI Value: 80+; available in 90+
- 5 year, 50,000 hour lamp life Warranty
- 2700k, 3000k, 3500k, 4000k, and 5000k color temperatures available

Applications

- Offices
- Lobbies
- Retail Stores
- Classrooms
- Reception Areas
- Corridors

Details

Construction: Custom per job; unit consists of custom length track extrusion and lensed LED sections for downlighting. Uses Global Track system. Optional continuous LED uplight component available. Standard white finish, custom colors available.

Electrical: Integral driver with dimming.

Compatible Trackhead Manufacturers:

(Note: Must choose a 2-circuit trackhead within manufacturer)

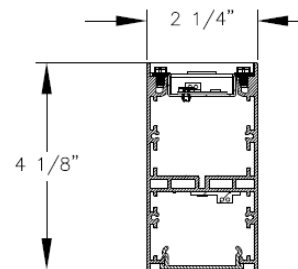
- Reggiani **
- Amerlux **
- Spectrum **
- Juno **
- Cooper **

(Many other manufacturers also compatible with the Global Track system)

Warranty: 5 year limited warranty; covers standard components.

Approvals: Union made, ETL listed, and manufactured in the US. Rated for Damp Location.

Extrusion Dimensions



LED System Information

	Nominal System Watts	Nominal Delivered Lumens	Nominal Efficacy
Standard (LTG1)	7.25W/ft	700Lm/ft	96Lm/W
Low (LTG2)	5W/ft	480Lm/ft	96Lm/W
High (LTG3)	8.75W/ft	810Lm/ft	93Lm/W

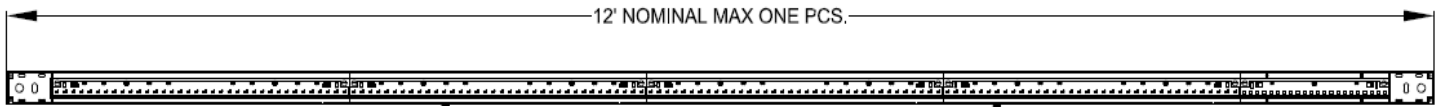
Please Note: Standard CRI is 80+, must specify for requests over 90. Outputs reflected in chart based on 4000K color temperature. For custom LED package requests consult factory; wattages vary based on specified output. Additional photometric information available.

NOTE: WE DO NOT PROVIDE AND ARE NOT RESPONSIBLE FOR TRACK HEAD. ANY ISSUES WITH TRACK HEAD MUST BE ADDRESSED WITH THE SUPPLIER.

Ordering Information

MULTI Series	Size XFT	No. LED Sections Must Specify	Size LED Sections 1FT (Nominal) 2FT (Nominal) 3FT (Nominal) XFT (Custom Lengths)	Number Track Must Specify	Track Length Must Specify	LED System LTG1- Standard LTG2- Low LTG3- High	Color Temp 3000K 3500K 4000K 5000K	Options EM-Emergency Pack (Remote Driver) UP- Uplight Component CC- Custom Color
--------------	----------	-------------------------------	--	---------------------------	---------------------------	--	------------------------------------	--

Ordering Example: MULTI-16FT-4 LED-1FT-5 TRACK-LTG2-3500K-UP



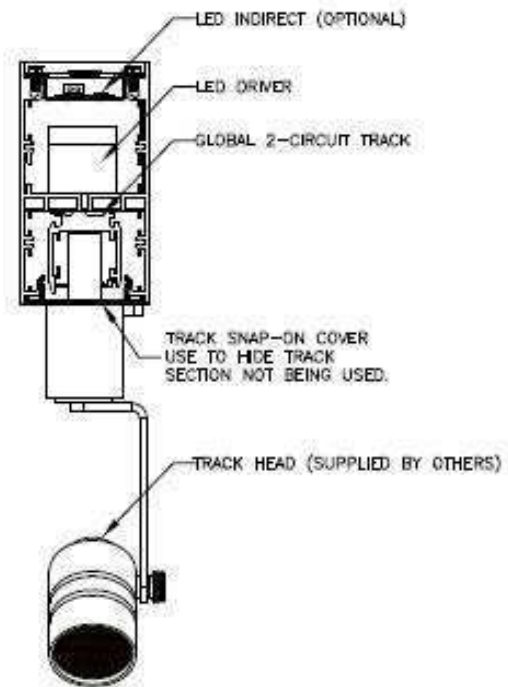
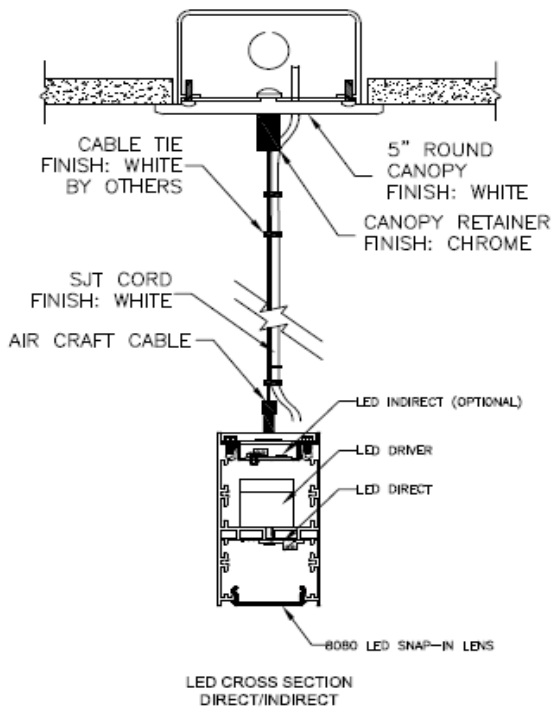
TOP VIEW



SIDE VIEW



BOTTOM VIEW



TRACK CROSS SECTION LED-INDIRECT